

**OPERATING INSTRUCTIONS FOR**  
***HEG-SERIES***  
**HOT WATER PRESSURE WASHERS**  
**- NATURAL GAS**  
**- L.P. - GAS (VAPOR ONLY)**



**CAUTION**  
**RISK OF INJURY!**  
**READ MANUAL BEFORE OPERATING!**  
This manual is an important part of the  
pressure washer and must  
remain with the unit when you sell it!

# TABLE OF CONTENTS

<b>INTRODUCTION .....</b>	<b>3</b>
<b>IMPORTANT SAFETY WARNINGS .....</b>	<b>4-9</b>
RISK OF EXPLOSION OR FIRE .....	4
RISK OF ASPHYXIATION .....	5
RISK OF ELECTROCUTION OR ELECTRICAL SHOCK .....	6
RISK OF INJECTION OR SEVERE CUTTING INJURY .....	7
RISK OF BURNS .....	8
RISK OF BURSTING .....	8
RISK FROM MOVING PARTS .....	8
RISK OF BODILY INJURY .....	9
<b>FEATURES .....</b>	<b>10-13</b>
<b>INSTALLATION .....</b>	<b>14-20</b>
LOCATION AND PLACEMENT .....	14
ELECTRICAL .....	14
FORK LIFTING PROCEDURE .....	14
GAS PIPING .....	15
VENTILATION .....	16
INCOMING HOOKUPS .....	17
WATER SUPPLY .....	18
HIGH PRESSURE CONNECTION .....	18
INSPECTING AND VERIFYING CONDITIONS .....	19
PRE-OPERATION CHECKLIST .....	20
<b>PREPARATION .....</b>	<b>21-23</b>
ATTIRE .....	21
PRE-START .....	21
UNLOADER .....	21
QUICK-CONNECT NOZZLES .....	22
NOZZLE CONNECTION .....	22
DUAL LANCE ASSEMBLY WITH ADJUSTABLE PRESSURE .....	23
PRE-START SAFETY INSPECTION .....	23
<b>OPERATING INSTRUCTIONS .....</b>	<b>25-27</b>
FLUSHING THE SYSTEM .....	25
COLD WATER OPERATION .....	25
HOT WATER OPERATION .....	26
CLEANING WITH DETERGENTS .....	26
SHUTDOWN .....	27
OPTIONS .....	27
<b>MAINTENANCE .....</b>	<b>28-31</b>
PREVENTIVE MAINTENANCE .....	28
DELIME COIL .....	29
WINTERIZING .....	30
<b>MAINTENANCE CHARTS .....</b>	<b>31</b>
<b>TROUBLESHOOTING .....</b>	<b>32-33</b>
<b>STATEMENT OF WARRANTY .....</b>	<b>34</b>
<b>NOTES .....</b>	<b>35</b>

**NATIONAL CODES:**  
**ANSI Z223.1 (NFPA NO. 54) NATIONAL FUEL GAS CODE.**  
**NFPA NO. 70 (NEC) NATIONAL ELECTRICAL CODE.**  
**CSA B149.1 GAS INSTALLATION CODE.**  
**CSA C22.1 CANADIAN ELECTRICAL CODE PART 1.**

## ⚠ WARNING

⚠ **WARNING:** This product can expose you to chemicals including Lead, which is known to the State of California to cause cancer and birth defects or other reproductive harm. For more information go to [www.P65Warnings.ca.gov](http://www.P65Warnings.ca.gov)

## ⚠ WARNING

⚠ **WARNING:** This product can expose you to chemicals including carbon monoxide, which is known to the State of California to cause birth defects or other reproductive harm. For more information go to [www.P65Warnings.ca.gov](http://www.P65Warnings.ca.gov)

## INTRODUCTION

Congratulations on the purchase of your new HEG-SERIES pressure washer! You can be assured your pressure washer was constructed and designed with quality and performance in mind. Each component has been rigorously tested to ensure the highest level of acceptance.

This operator's manual was compiled for your benefit. By reading and following the simple safety, installation, operation, maintenance and troubleshooting steps described in this manual, you will receive years of trouble free operation from your new pressure washer. The contents of this manual are based on the latest product information available at the time of publication. Manufacturer reserves the right to make changes in price, color, materials, equipment, specifications or models at any time without notice.

### ! IMPORTANT !

These paragraphs are surrounded by a "SAFETY ALERT BOX." This box is used to designate and emphasize Safety Warnings that must be followed when operating this pressure washer. Accompanying the Safety Warnings are "signal words" which designate the degree or level of hazard seriousness. The "signal words" used in this manual are as follows:

**DANGER:** Indicates an imminently hazardous situation which, if not avoided, **WILL** result in death or serious injury.

**WARNING:** Indicates a potentially hazardous situation which, if not avoided, **COULD** result in death or serious injury.

**CAUTION:** Indicates a potentially hazardous situation which, if not avoided **MAY** result in minor or moderate injury.



The symbols set to the left of this paragraph are "Safety Alert Symbols." These symbols are used to call attention to items or procedures that could be dangerous to you or other persons using this equipment.

**ALWAYS PROVIDE A COPY OF THIS MANUAL TO ANYONE USING THIS EQUIPMENT. READ ALL INSTRUCTIONS BEFORE OPERATING THIS PRESSURE WASHER AND ESPECIALLY POINT OUT THE "SAFETY WARNINGS" TO PREVENT THE POSSIBILITY OF PERSONAL INJURY TO THE OPERATOR.**

Once the unit has been removed from the box, immediately write in the serial number of your unit in the space provided below.

**SERIAL NUMBER** \_\_\_\_\_

Inspect for signs of obvious or concealed freight damage. If damage does exist, file a claim with the transportation company immediately. Be sure that all damaged parts are replaced and that the mechanical and electrical problems are corrected prior to operation of the unit. If you require service, contact Customer Service Representative.


Please have the following information available for all service calls:

1. Model Number
2. Serial Number
3. Date and Place of Purchase




## SAFETY WARNINGS

READ ALL SAFETY WARNINGS BEFORE INSTALLING AND USING PRESSURE WASHER

HAZARD	POTENTIAL CONSEQUENCE	PREVENTION
<p data-bbox="170 226 483 254"><b>RISK OF ASPHYXIATION</b></p> 	<p data-bbox="570 226 966 317">Serious injury or death may occur from inhaling burner exhaust or dangerous vapors.</p>	<p data-bbox="1015 226 1523 432">Installation of this unit including the ventilation of the combustion gases must comply with all local, state and national codes. (Standards to be followed include the National Fuel Gas Code ANSI Z223.1/ NFPA No. 54. In Canada; Refer to the CSA B149.1 Gas Installation Code).</p> <p data-bbox="1015 464 1511 653">Always make certain there is adequate ventilation (fresh outside air) for breathing and combustion. This will prevent the buildup of dangerous carbon monoxide gases. Beware of poorly ventilated areas, or areas with exhaust fans which can cause poor air exchange.</p> <p data-bbox="1015 684 1511 821">If you smell gas, shut off the gas supply to the appliance, extinguish any open flame, and test all joints with a soap solution. If the odor persists, call you gas supplier immediately.</p> <p data-bbox="1015 852 1511 1010">Follow all safety instructions provided with the materials you are spraying. Use of a respirator may be required when working with some materials. Do not use this pressure washer to dispense hazardous materials.</p>

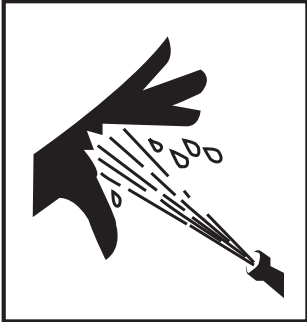
## SAFETY WARNINGS

READ ALL SAFETY WARNINGS BEFORE INSTALLING AND USING PRESSURE WASHER

HAZARD	POTENTIAL CONSEQUENCE	PREVENTION
<p style="text-align: center;"><b>RISK OF ELECTROCUTION OR ELECTRIC SHOCK</b></p> 	<p>Serious injury or death could result from improper installation.</p> <p>Serious injury or death could occur if the pressure washer is not properly grounded. Your pressure washer is powered by electricity and may cause electric shock or electrocution if not used properly.</p> <p>Electrical shock may occur if pressure washer is not operated properly.</p> <p>Serious injury or death may occur from contact with electricity.</p> <p>Serious injury or death may occur if electrical repairs are attempted by unqualified persons.</p>	<p>Installation of this unit including all electrical connections must comply with all local, state and national codes. (Standards to be followed include NFPA No. 70/NEC National Electrical Code. In Canada; Refer to the CSA C22.1 Canadian Electrical Code Part 1)</p> <p>This unit must be connected to a grounded, permanent wiring system; or an equipment-grounding conductor must be run with the circuit conductors and connected to the equipment-grounding lead on the unit.</p> <p>Make sure the pressure washer is connected to a properly grounded source which provides correct voltage and adequate fuse protection. Disconnect from power source when not in use or when making repairs.</p> <p>Do not attempt to light the pilot manually as the electronic spark ignition lights the pilot automatically.</p> <p>Never operate pressure washer with electrical enclosures open, removed or damaged.</p> <p>Do not touch machine while standing in water or with wet hands. Never let the electrical supply or any connections lay in the water.</p> <p>DO NOT direct spray on or into electrical installations of any kind! This includes electrical outlets, light bulbs, fuse boxes, transformers, the unit itself, etc.</p> <p>DO NOT allow metal components of the pressure washer to come in contact with live electrical components.</p> <p>Any electrical wiring or repairs performed on this pressure washer should be done by authorized service personnel in accordance with local and national electrical codes.</p> <p>Before opening any electrical enclosure, always shut off the pressure washer, relieve pressure and disconnect the pressure washer from the power source. Allow pressure washer to cool down. Never assume the pressure washer is safe to work on just because it is not operating. It could restart at any time!</p>

## SAFETY WARNINGS

READ ALL SAFETY WARNINGS BEFORE INSTALLING AND USING PRESSURE WASHER


HAZARD	POTENTIAL CONSEQUENCE	PREVENTION
<p style="text-align: center;"><b>RISK OF INJECTION OR SEVERE CUTTING INJURY</b></p> <div style="text-align: center;">  </div>	<p>Serious injury or death could occur from high pressure spray penetrating the skin.</p>	<p>Keep clear of nozzle and spray! Never put your hand, fingers or body directly over the spray nozzle.</p> <p>Never point the high pressure discharge stream at persons.</p> <p>This equipment is to be used only by trained operators.</p> <p>Always keep operating area clear of all persons.</p> <p>To reduce the risk of injury, close supervision is necessary when using this equipment near children. <b>DO NOT</b> allow children to operate this unit.</p> <p><b>SEEK EMERGENCY MEDICAL CARE</b> if the spray appears to have penetrated the skin! <b>DO NOT TREAT AS A SIMPLE CUT!</b> Be prepared to tell a physician exactly what kind of cleaning agents you were using by reading the Material Safety Data Sheet (MSDS) provided with your detergent.</p> <p>High pressure hoses should be inspected daily for signs of wear. If evidence of failure exists, promptly replace all suspect hoses to prevent the possibility of injury from the high pressure spray. If a hose or fitting is leaking, <b>NEVER PLACE YOUR HAND DIRECTLY ON THE LEAK.</b></p> <p>Before using pressure washer, or when quick connecting high pressure hoses and spray nozzles, be certain the "collar" on the female quick connect is locked securely to prevent accidental discharge and that all quick coupler fittings are secure.</p> <p><b>NEVER</b> operate the gun with the trigger wired in the open position. To prevent accidental discharge, the trigger gun should be securely locked when not in use.</p> <p>Before removing the spray nozzle or servicing the unit, <b>ALWAYS</b> shut off the unit and trigger the gun to release trapped pressure. (Even after you shut off the unit, there is high pressure water left in the pump, hose and gun until you release it by triggering the gun.)</p>





## SAFETY WARNINGS

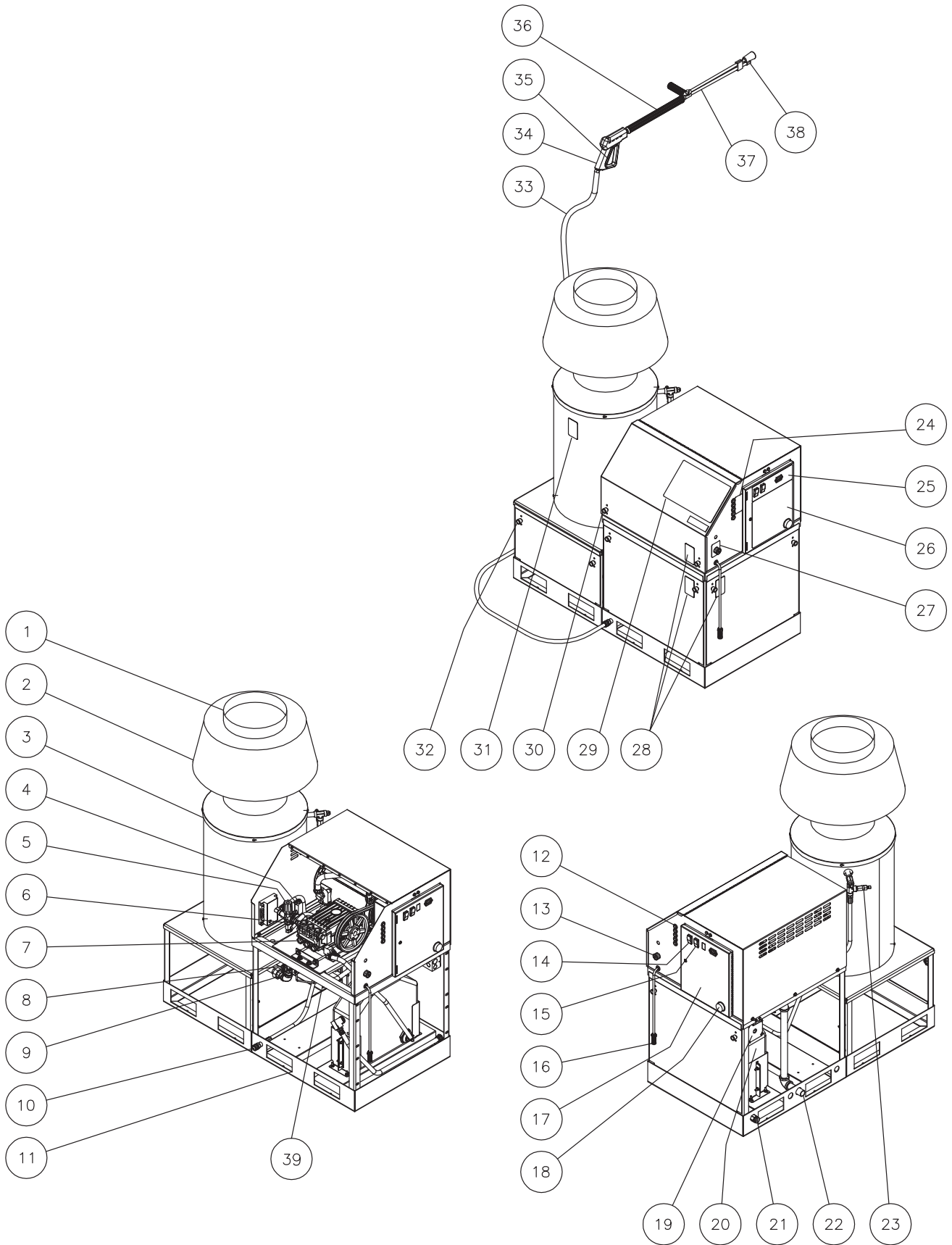
READ ALL SAFETY WARNINGS BEFORE INSTALLING AND USING PRESSURE WASHER

HAZARD	POTENTIAL CONSEQUENCE	PREVENTION
<p><b>RISK OF BODILY INJURY</b></p> 	<p>Serious injury or death may occur from detergents contacting or penetrating the skin.</p> <p>Serious injury can occur from loose debris being propelled at a high speed from the spray gun.</p> <p>Injury may occur if the operator loses his balance caused by the thrust of water traveling through the spray nozzle.</p> <p>Injury may occur from the pressure washer.</p>	<p>SEEK EMERGENCY MEDICAL CARE if the spray appears to have penetrated the skin! <b>DO NOT TREAT AS A SIMPLE CUT!</b> Be prepared to tell a physician exactly what kind of cleaning agents you were using by reading the Material Safety Data Sheet (MSDS) provided with your detergent.</p> <p>Never use any solvents or highly corrosive detergents or acid type cleaners with this pressure washer.</p> <p>Protective equipment such as rubber suits, gloves and respirators are advisable, especially when using cleaning detergents.</p> <p>Keep all detergents out of the reach of children!</p> <p><b>ALWAYS</b> wear protective goggles when operating the unit to shield the eyes from flying debris and detergents.</p> <p><b>DO NOT</b> direct spray toward fragile materials such as glass for shattering could occur.</p> <p>Stay alert-watch what you are doing. Do not operate the unit when fatigued or under the influence of alcohol or drugs.</p> <p><b>NEVER</b> squeeze the trigger unless securely braced.</p> <p><b>DO NOT</b> overreach or stand on unstable support.</p> <p>Wet surfaces can be slippery, wear protective foot gear and keep good footing and balance at all times.</p> <p><b>NEVER</b> trigger the gun while on a ladder or roof.</p> <p><b>ALWAYS</b> hold on firmly to the gun/lance assembly when starting and operating the unit. Failure to do so can cause the lance to fall and whip dangerously.</p> <p>Know how to stop the pressure washer and bleed pressures quickly. Be thoroughly familiar with controls.</p> <p><b>DO NOT</b> leave pressurized unit unattended. Shut off the pressure washer and release trapped pressure before leaving.</p> <p><b>DO NOT</b> operate the unit if you see any oil or water leaks from the machine. <b>DO NOT</b> resume operation until the unit has been inspected and repaired by a qualified serviceman.</p> <p>Never make adjustments on the machine while in operation.</p> <p>Before servicing the unit: shut off the pressure washer, relieve pressure and disconnect the pressure washer from the power source. Allow pressure washer to cool down. Never assume the pressure washer is safe to work on just because it is not operating. It could restart at any time!</p>


**SAVE THESE INSTRUCTIONS**


# HEG-SERIES FEATURES

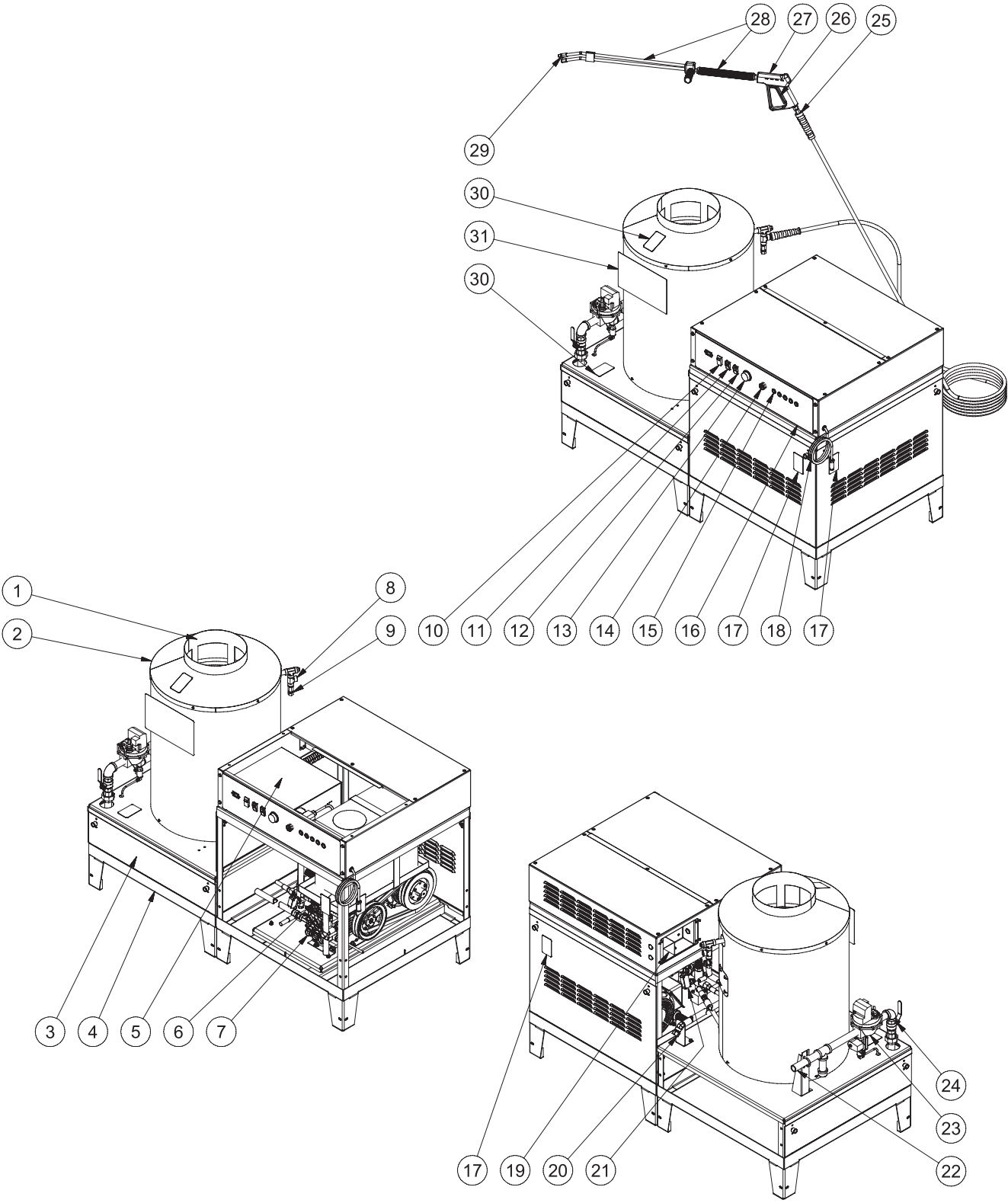
HEG SERIES FEATURES-080212



## FEATURES LISTING

1. Exhaust Outlet
2. Draft Diverter
3. Heat Exchanger
4. Pressure Switch
5. Pressure Trapping Unloader
6. Heat Dump Valve
7. High Pressure Pump
8. Gas Shut Off Valve
9. Gas Valve
10. High Pressure Outlet
11. Fork Truck Access
12. Nozzle Storage
13. Detergent Metering Valve
14. Pump Switch w/Indicator Light
15. Burner Switch w/Indicator Light
16. Detergent Strainer
17. Electrical Enclosure
18. Adjustable Thermostat
19. Electrical Junction Box
20. Float Tank w/Filter
21. Water Inlet
22. Gas Supply Inlet
23. Pressure Relief Valve
24. Decal- Nozzles
25. Decal- Electric Box Switches (Pump/Burner)
26. Decal- Operation
27. Decal- Detergent Valve
28. Decal- Warning: Risk of Injury/Exposed Pulleys
29. Decal- Warning/Caution
30. Hinged Access Door
31. Decal- Warning: Hot Surfaces
32. Access Panel
33. High Pressure Hose
34. Trigger Gun
35. Trigger Safety Lock
36. Insulated Lance
37. Adjustable Pressure Dual Lance
38. High Pressure Nozzles
39. Pump Oil Drain

# HEG- HIGH VOLUME SERIES FEATURES




HEG-3008\_2010 FEATURES 050916

## FEATURES LISTING


1. Exhaust Outlet
2. Heat Exchanger
3. Access Panel
4. Forktruck Access
5. Electrical Enclosure
6. Thermal Relief Valve
7. High Pressure Pump
8. High Pressure Outlet
9. Pressure Relief Valve
10. Pump Switch
11. Burner Switch
12. Detergent Switch
13. Adjustable Thermostat
14. Detergent Metering Valve/Solenoid
15. Nozzle Storage
16. Decal- Control Panel
17. Decal - Warning: Risk Of Injury/Exposed Pulleys
18. Detergent Hose/Strainer
19. Electrical Junction Box
20. Water Inlet
21. Pressure Switch
22. Gas Inlet
23. Diaphragm Gas Valve
24. Manual Gas Shutoff Valve
25. High Pressure Hose
26. Trigger Safety Lock
27. Trigger Gun
28. Insulated/Adjustable Dual Lance
29. High Pressure Nozzles
30. Decal- Warning: Hot Surfaces
31. Decal- Warning/Caution

## INSTALLATION


 **DANGER**

**RISK OF EXPLOSION OR FIRE!**  
**DO NOT PLACE UNIT IN AN AREA WHERE FLAMMABLE GAS VAPORS MAY BE PRESENT. A SPARK COULD CAUSE AN EXPLOSION OR FIRE!**

**RISK OF UNIT BURSTING!**  
**DO NOT LOCATE THE UNIT IN FREEZING ENVIRONMENTS!**

 **WARNING**


**RISK OF ASPHYXIATION!**  
**USE THIS PRODUCT ONLY IN WELL VENTILATED AREAS! THE EXHAUST CONTAINS CARBON MONOXIDE, A POISONOUS, ODORLESS AND INVISIBLE GAS. BREATHING THIS GAS CAN CAUSE SERIOUS INJURY, ILLNESS & POSSIBLE DEATH.**

 **CAUTION**

**RISK OF UNIT DAMAGE!**  
**UNIT MUST BE PROPERLY HANDLED DURING INSTALLATION. FORKLIFT PROCEDURES MUST BE FOLLOWED.**



**ILLUSTRATION #1**  
**FORK LIFT**

 **WARNING**

**RISK OF ELECTROCUTION!**

**THIS UNIT MUST BE CONNECTED TO A PROPERLY GROUNDED OUTLET.**

### LOCATION AND PLACEMENT:

1. This unit should be installed indoors by a qualified serviceman in a non-freezing, dry environment away from damaging winds and rain. If any part of the unit becomes frozen, excessive pressure may build up in the unit which could cause it to burst resulting in possible serious injury to the operator or bystanders. Normal precautions should be taken so that excess moisture does not reach the electrical controls or the power unit.
2. It should be placed in an area away from flammable or combustible material. These types of material should be kept at least 20 feet away from the gas-fired units.
3. Avoid small areas and exhaust fans. Combustion becomes difficult and carbon monoxide may result in these areas. Allow enough space for servicing. Some codes will require certain distances from walls and flooring. Two feet away from the walls should suffice.
4. This unit should only be placed on a level surface to ensure proper lubrication for the water pump while operating. NEVER spray water directly on the unit.
5. **DO NOT** place unit in an area:
  - a. where flammable gas vapors may be present.
  - b. with insufficient ventilation.
  - c. where there is evidence of oil or fuel leaks.

### FORK LIFTING PROCEDURE:

These machines are shipped mounted to a pallet. When removing from the pallet and positioning in place special care must be taken to prevent damage to the machine.

1. Preferred method; Lifting from the front of the unit.  
One form must be placed under the motor/pump side; the other must be placed under the coil side.

**Note:** *This machine may need to be lifted from either end of the machine in order to get into and oriented correctly in tight areas. Fork extensions MUST be used as necessary.*

2. Lifting from either end of the unit.  
Ensure that the forks extend past the center lifting supports of the unit before lifting. Only lift until as high as necessary to move it into position.

### ELECTRICAL:

1. Installation of this unit should be performed by a qualified serviceman and all electrical installation must conform to all local, state and national codes, including NFPA No. 70 (NEC) National Electrical Code. In Canada; Refer to the CSA C22.1 Canadian Electrical Code Part 1.
2. This unit comes to you with the wires terminating in a junction box inside the cabinet. You must supply the incoming power source.
3. Ensure electrical supply is identical to the specifications listed on the pressure washer data plate.
4. Ensure all connections are secure and covers are replaced.

## INSTALLATION

### GAS PIPING:

1. Installation of this unit should be performed by a qualified serviceman and all gas piping must conform to all local, state and national codes, including the National Fuel Gas Code ANSI Z223.1/NFPA No. 54. In Canada; Refer to the CSA B149.1 Gas Installation Code.
2. Turn off gas and electricity before starting installation or service.
3. The gas line to the burner should be a separate supply from the meter because of the burner demand. Use new pipe and locate it with future service in mind. Use only black pipe or tubing suitable for gas applications and make sure the pipe is free from cutting burrs and defects. Use joint compound (not teflon tape) only on male fittings, leaving clean the first two threads to be engaged. DO NOT use compound on female threads where it can be pushed into the line and cause gas valve failure.

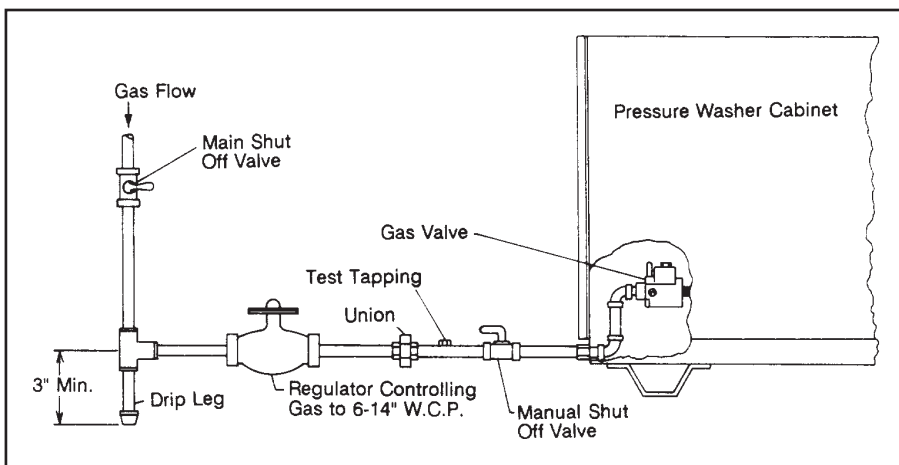
### RECOMMENDED PIPE SIZES FOR GAS SUPPLY LINE

NATURAL GAS		L.P.-GAS	
DISTANCE TO UNIT FROM REGULATOR	PIPE SIZE	DISTANCE TO UNIT FROM REGULATOR	PIPE SIZE
0-50 Feet	1-1/2" 1PS	0-50 Feet	1" 1PS
50-100 Feet	2" 1PS	50-100 Feet	1-1/2" 1PS
100-200 Feet	2-1/2" 1PS	100-200 Feet	1-3/4" 1PS

(Refer to illustration #2 for the following:)

4. Following the gas line from the meter or regulator, before the machine, install a manual main shut-off valve.
5. Down stream from the main shut-off valve, a tee and drip leg should be installed to catch debris and moisture. This leg must be capped.
6. A 4" nipple and gas regulator should be installed off of the tee. This regulator should control gas pressure down to 3"-12" W.C.P.
7. On the other side of the regulator, another 4" nipple and union should be installed.
8. After the union and before the gas valve on the unit, a manual shut-off valve should be installed with a 1/8" NPT plugged tapping accessible for test gauge connection between it and the union.

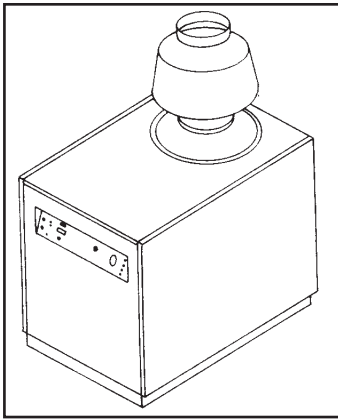
**ILLUSTRATION #2  
GAS SUPPLY PIPING**



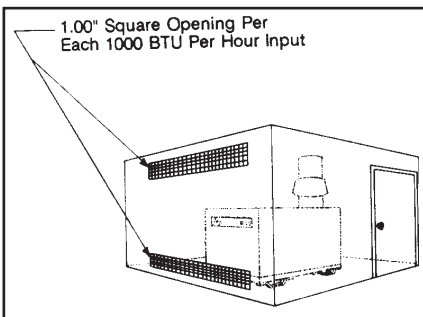
## INSTALLATION

### VENTILATION:

**ILLUSTRATION #3  
DRAFT DIVERTER**



**ILLUSTRATION #4  
ENCLOSED ROOM VENTILATION**



1. Installation of this unit in an indoor or in an enclosed area should be performed by a qualified serviceman and all venting must conform to all local, state and national codes, including the National Fuel Gas Code ANSI Z223.1/NFPA No. 54. In Canada; Refer to the CSA B149.1 Gas Installation Code. The burner exhaust should be stacked to the outside atmosphere and a draft diverter should be installed as well.

**NOTE:** *There should be no more than 6500 BTU per square inch of flue.*

2. A draft diverter must be installed above the exhaust outlet. This diverter breaks the chimney effect and enhances the draft through the burner for a more efficient flame. It also helps prevent cold air downdrafts from freezing the heat exchanger. (See illustration #3)
3. Install the recommended flue pipe per local, state and national codes, including the National Fuel Gas Code ANSI Z223.1/NFPA No. 54. In Canada; Refer to the CSA B149.1 Gas Installation Code. If the flue pipe exceeds 10 feet in length or contains more than two elbows, the natural draft may be eliminated and the burner will not ignite. In cases of this nature, a certified power vent\* may be used to remove exhaust gases from the building. Exhaust may be vented out roof vents as well as side wall horizontal vent systems. DO NOT install a movable flue pipe damper.

*\*Vent must meet all necessary local requirements and be installed according to instruction manual and all applicable codes by a qualified technician.*

4. If the unit is being installed in an enclosed room, provide adequate air for combustion by installing openings to the room near the ceiling for ventilation and near the floor for burner combustion. These openings should be sized using one square inch for each 1000 BTU per inch of the machine.

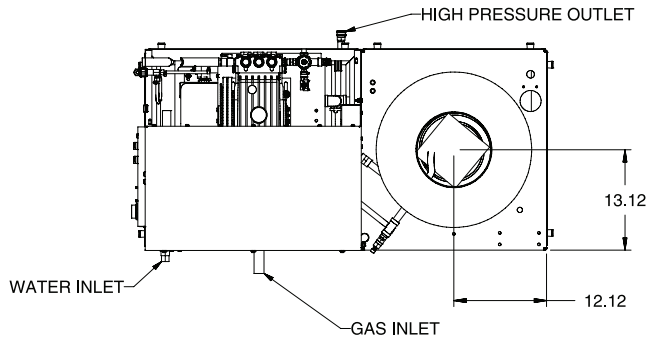
*Example: A pressure washer with a 400,000 BTU input requires openings of 400 square inch or approximately 3 feet x 1 foot. (See illustration #4).*

5. If the building in which the unit is being installed seems unusually tightly constructed, it is recommended that air intakes extending to the outside of the building be employed to supply combustion air. End the intakes outside the building with a downward opening to protect these intakes from snow and/or rain. Include a mesh screen no smaller than 1/4" over the opening.

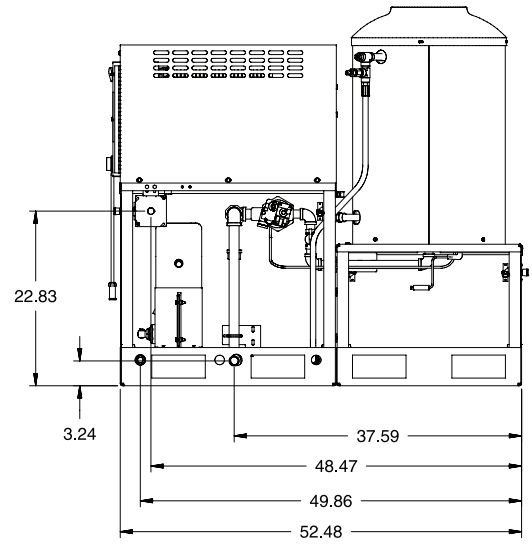


**ILLUSTRATION #5  
INCOMING HOOKUPS**

**HEG-1805, 2004, 3004, 3005 SERIES**

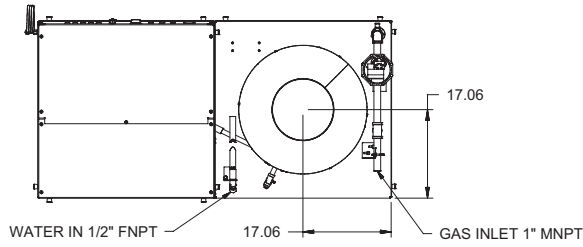


TOP VIEW



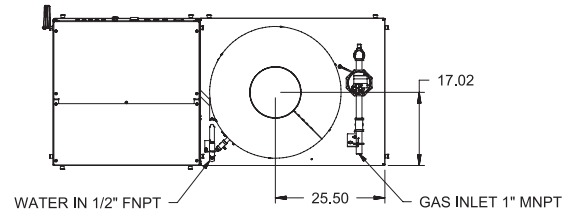
BACK VIEW

**HEG-3008 SERIES**

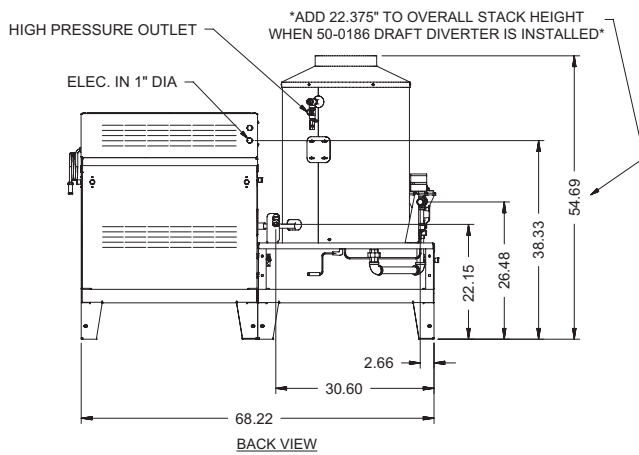


TOP VIEW

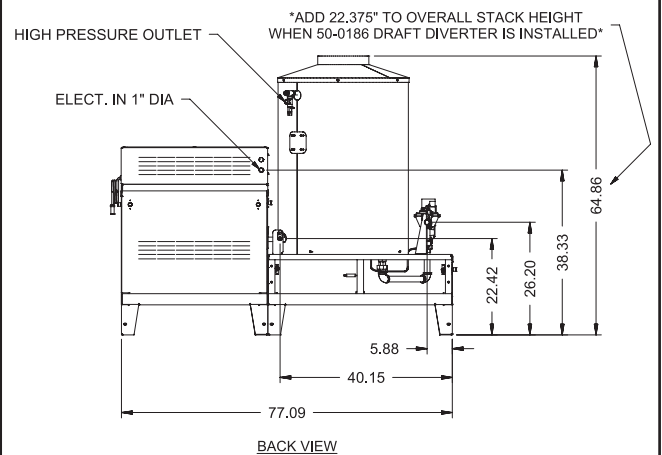
**HEG-2010 SERIES**



TOP VIEW



BACK VIEW



BACK VIEW

## INSTALLATION

### WATER SUPPLY:

1. Select a water supply hose which is a quality grade of garden hose measuring at least 3/4" ID and no longer than 50'. (See illustration #6)
2. Connect one end of the water supply hose to the water inlet of the unit. Connect the other end of the hose to your pressurized water supply.

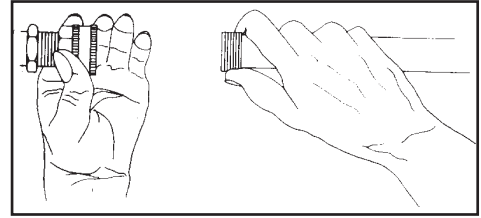
**NOTE:** *If there is a high mineral content in your water, it is recommended that a water softener be used to prevent the possibility of excessive scale buildup inside the heat exchanger coil.*

3. Be certain all connections are securely tightened.
  - a. Water supply hose to the Water Inlet on the unit.
  - b. Water supply hose to the Pressurized Water Supply.
4. Follow the incoming water requirements listed below:
  - a. Water pressure must be between a minimum of 20 pounds per square inch (PSI) and a maximum of 65 PSI.
  - b. Incoming GPM must be approximately one gallon more than the outgoing GPM stated on the pressure washer I.D. Plate. (You can check GPM by timing how long it takes to fill a 5 gallon container.)
  - c. Incoming water temperature must not exceed 125°F. Excessive pump damage may result if the water temperature exceeds this acceptable level.

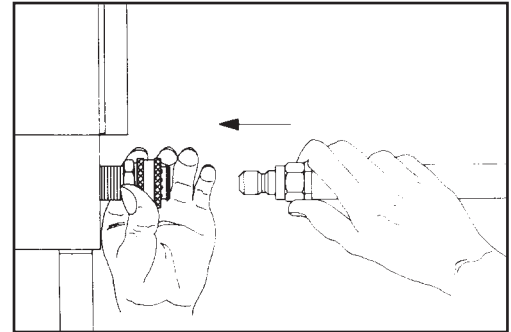
**NOTE:** *If the water supply is inadequate or the hose is kinked, the unit will run rough and the burner will not fire.*

5. Never allow the unit to operate without the incoming water line attached and the water supply completely turned on.

**ILLUSTRATION #6  
HOSE CONNECTION**



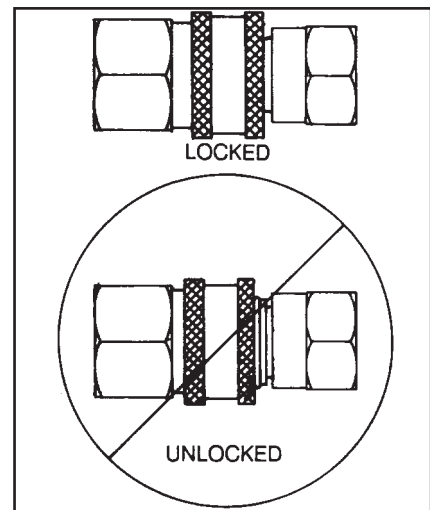
**ILLUSTRATION #7  
HIGH PRESSURE HOSE CONNECTION**



### HIGH PRESSURE CONNECTION:

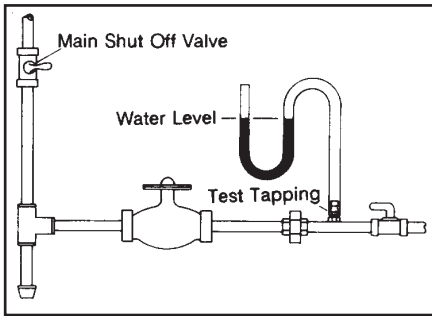
Connect the high pressure discharge hose by connecting one end to the pressure washer and the other end to the gun assembly. Make certain the quick connects are securely locked together. (See illustration #7 and #8)

**ILLUSTRATION #8  
QUICK CONNECT**

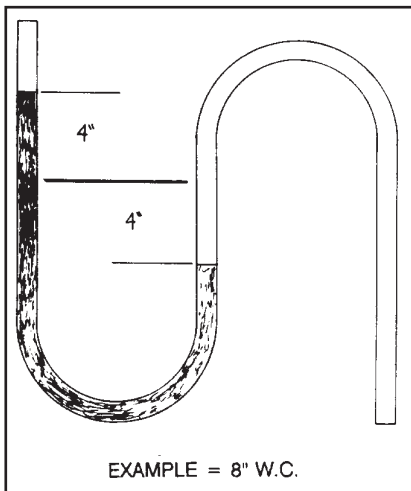


## INSTALLATION

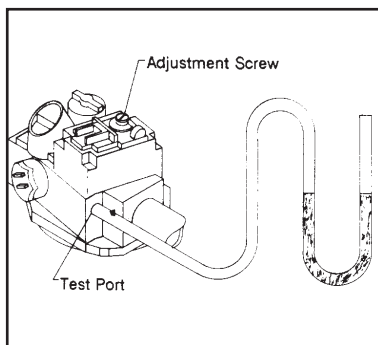
**ILLUSTRATION #9  
MAKING A MANOMETER**



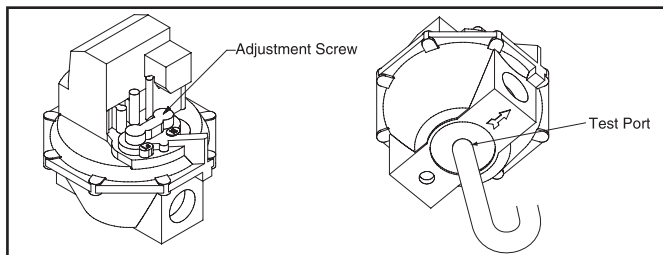
**ILLUSTRATION #10  
MEASURING WATER COLUMN**



**ILLUSTRATION #11  
ADJUSTING GAS REGULATOR  
FOR 3005 AND BELOW**



**ILLUSTRATION #12  
HONEYWELL PARTS**



### INSPECTING AND VERIFYING CONDITIONS:

1. Check to ensure the building is not weakened by the installation of this unit and make sure the piping is secure.
2. Check gas pressure and check all gas piping for leaks.
  - a. Ensure all gas connections are made and close the valve before the gas valve on the machine.
  - b. Immediately after opening the main valve, coat all piping and connections with soapy water to check for gas leaks. Defective piping and fittings should be replaced immediately.
  - c. After the meter and all piping have been checked for leaks, purge the air from the system by removing the test tapping plug and bleeding the line into a well-ventilated area to protect against potential fire hazard.
  - d. If a commercial manometer is not available, make one by using a clear tube about 1/2 full of water and shape it like a U. (See illustration #9) With the main shut-off valve closed, connect a hose barb fitting into the test tapping, connect the hose and mark the water level as shown.
  - e. Turn on the main gas valve and check the water column level by measuring the distance the two water levels rose and dropped from starting level. This must not exceed 14" W.C. (See illustration #10) Start the unit and check pressure with burner running. The gas pressure at this point should be 4-7" W.C. for N.G. and 8-12" W.C. for L.P.-Gas.
  - f. Turn off the main shut-off valve, remove test fitting and replace plug.
  - g. Using a 3/16" hex key wrench, remove plug from test port on gas valve inside the pressure washer (see illustration #11) and connect your manometer or test tube.
  - h. Turn on manual shut-off valve and gas regulating valve. Operate the unit so the burner runs and check the manifold pressure. The gas pressure at this point should be 3.5"-4" W.C. for N.G. and 8.5"-9.5" W.C. for L.P.-Gas.
  - i. Shut off the unit and manual shut-off valve, remove manometer or test tube and replace plug.
3. Adjusting the gas regulator on the gas valve normally IS NOT necessary since it is preset at the factory; however, if it is necessary, follow these instructions:
  - a. Using a 3/16" hex key wrench, remove plug from test port on gas valve inside the pressure washer (see illustration #11 for Robert Shaw valve and illustration #12 for Honeywell valve.) and connect your manometer or test tube.
  - b. While running the burner, use the screwdriver to adjust the gas pressure (clockwise to increase and counterclockwise to decrease).
  - c. When finished, shut off the unit and manual shut-off valve, replace the adjustment cap, remove manometer or test tube and replace plug.

# INSTALLATION

## PRE-OPERATION CHECKLIST:

Before starting the unit, answer the questions in this checklist:

### QUESTIONS

<b>CODES:</b>	YES	NO
1. Does the electrical supply meet respected codes?	___	___
2. Does all gas supply piping meet respected codes?	___	___
3. Does the ventilation system meet respected codes?	___	___
<b>LOCATION:</b>		
1. Is the unit installed indoors on a level surface in a dry area protected from excessive wind, rain and moisture?	___	___
2. Is the unit located away from flammable and combustible material?	___	___
3. Is the unit located in a large enough area for adequate air flow?	___	___
<b>ELECTRICAL:</b>		
1. Is the unit properly grounded?	___	___
2. Do all electrical components used meet requirements shown on the unit I.D. Plate and is the voltage correct?	___	___
<b>GAS SUPPLY:</b>		
1. Is the proper fuel type (N.G. or L.P.-Gas) being used for your pressure washer?	___	___
2. Does the gas supply meet the demand of the BTU rating of the burner?	___	___
3. Has the proper gas regulator been installed for the proper pressure " and flow?	___	___
4. Is all piping the right size and have all gas connections been checked for leaks?	___	___
5. Is the gas valve completely open?	___	___
6. Is the incoming gas pressure 3"-7" W.C. for N.G. and 8"-12" W.C. for L.P.-Gas?	___	___
7. Are the propane tanks (if applicable) employed large enough to avoid freezing according to the unit's rating?	___	___
<b>VENTILATION:</b>		
1. Are the correct flue pipe and draft hood sizes employed?	___	___
2. Is there adequate ventilation for burner combustion?	___	___
3. Is the unit properly vented to allow adequate air flow?	___	___
4. Is exhaust stacked to outside atmosphere?	___	___
<b>GENERAL:</b>		
1. Have all operators using this unit read the Installation and Operator's Manual and understood all safety warnings?	___	___
2. Has the unit been installed by qualified service people who followed the Installation and Operator's Manual instructions?	___	___
3. Is there ample water supply?	___	___

**IF NO WAS MARKED FOR ANY OF THESE QUESTIONS, CORRECT THE SITUATION BEFORE OPERATING THIS GAS-FIRED UNIT.**



## PREPARATION

### ATTIRE:

Proper attire is essential to your safety. It is advised to utilize whatever means necessary to protect eyes, ears, and skin. Additional safety attire (such as respiratory mask) may be required when using detergent cleaning agents with this pressure washer.



### **DANGER**

#### **RISK OF EXPLOSION OR FIRE!**

SMELL FOR GAS BEFORE STARTING UNIT. ALWAYS SNIFF AREA AROUND THE MACHINE FOR A GAS SMELL. BE SURE TO SNIFF FLOOR AREA, SINCE SOME GAS IS HEAVIER THAN AIR AND WILL SETTLE ON THE FLOOR.

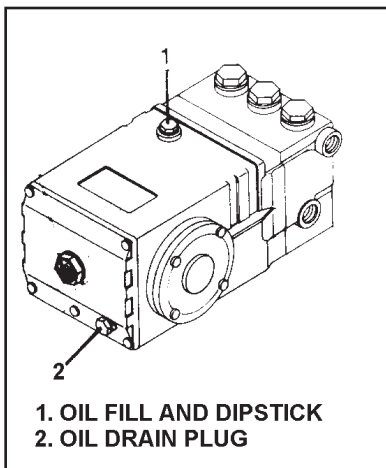
#### **IF YOU SMELL GAS:**

- DO NOT START UNIT.
- DO NOT OPERATE ANY ELECTRICAL SWITCH.
- DO NOT LIGHT ANY APPLIANCE.
- DO NOT USE ANY PHONE IN THE ROOM OR AREA.
- LEAVE, GO TO ANOTHER LOCATION AND USE A PHONE TO CALL YOUR GAS SUPPLIER.
- FOLLOW THE GAS SUPPLIER'S INSTRUCTIONS.
- IF YOU CANNOT REACH YOUR GAS SUPPLIER, CALL THE FIRE DEPARTMENT.

### PRE-START:

1. Before lighting, smell all around the machine for gas. Especially, sniff the floor area because some gas is heavier than air and will settle on the floor. Do not operate unit if smell exists. Leave the location and contact a qualified serviceman.
2. Check to ensure the voltage is on.
3. Pump oil level should be checked before each use. Check the oil level with the dipstick on top of the pump crankcase. (See illustration #13.) The proper oil level should be at the notch on the dipstick. If the level appears low, use pump oil SAE20 or 30 non-detergent.

**ILLUSTRATION #13  
PUMP-REAR OIL GAUGE**



### UNLOADER:

The unloader has been preset at the factory and should only be adjusted by a trained serviceman.

## PREPARATION

### QUICK-CONNECT NOZZLES:

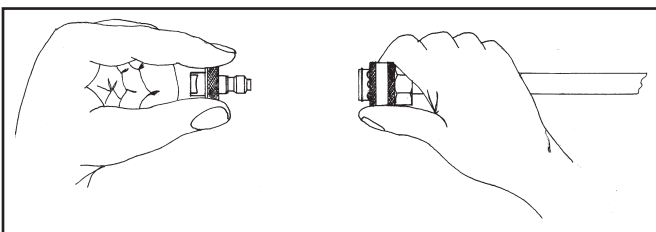
Various nozzles may be quick connected into the end of the adjustable pressure dual lance to change the spray pattern or use the detergent feature. When using Quick-connects (Q.C.), be certain the connection is securely locked. (See illustration #14). If not, the high pressure water may shoot the nozzle from the lance, causing severe injury or serious damage. To determine spray fan, (see illustration #15) refer to the actual number stamped on the nozzle. The first two digits indicate the spray fan in degrees, i.e., 00=0°, 15=15°, 25=25°, 40=40°.

1. **The 0° nozzle (RED):** This is a blasting nozzle. It delivers a very concentrated stream of water. Be cautious when using the straight narrow stream. It is not recommended for use on painted or wood surfaces or items attached with adhesive backings. Uses: Removing weeds from sidewalk cracks, stubborn stains from concrete, masonry, aluminum and steel, caked mud from equipment, and cleaning lawn mower undersides.
2. **The 15° nozzle (YELLOW):** This is a chiseling nozzle. The spray should be directed at a 45° angle to the surface and used like a scraper to remove paint, grease and dirt. Uses: Surface preparation (removing mildew stains and paint chips).
3. **The 25° nozzle (GREEN):**
  - a. This is a flushing nozzle. This pattern is best suited for flushing dirt, mud, and grime. Uses: Wet sweeping leaves from walk, curbs and driveways, cleaning stable floors, washing swimming pool bottoms, degreasing engines.
  - b. On units with steam option, this nozzle is used for 250°F Wet Steam operation. This nozzle is sized for operation with the unloader and steam valve (where applicable) to provide high pressure wet steam. Replacement of this nozzle with an improperly sized nozzle may cause operational problems with the machine.
4. **The 40° nozzle (WHITE):** This is a wash nozzle. This wide spray pattern disperses the water pressure over a large area and is recommended for moderate washing. Uses: Washing down aluminum siding, cleaning windows, washing vehicles, spraying sidewalks, driveways, and patios.

### NOZZLE CONNECTION:

1. Ensure the trigger gun is locked in the OFF position. (See illustration #16)
2. The quick-connect nozzle should be disconnected from the adjustable pressure dual lance at this time. As shown in illustration #17, retract the locking ring on the quick-connect fitting to remove the nozzle.

**ILLUSTRATION #17  
NOZZLE CONNECTION**



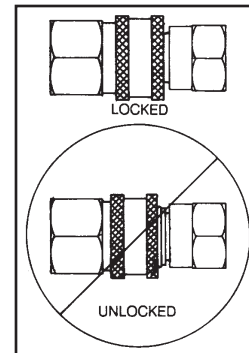
### **WARNING**

**RISK OF INJECTION CAUSING SEVERE INJURY!**

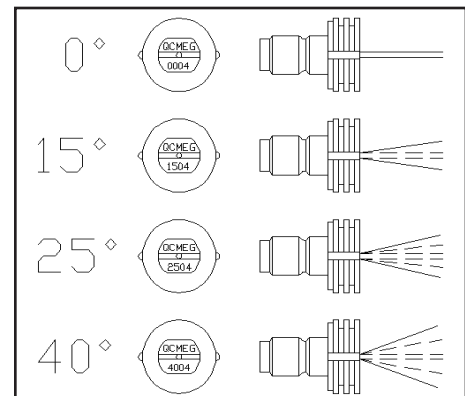
**THE TRIGGER GUN SHOULD ALWAYS BE LOCKED IN THE OFF POSITION WHEN NOT IN USE!**

**NEVER LOOK DIRECTLY AT THE NOZZLE UNLESS IT IS DISCONNECTED FROM THE TRIGGER GUN/DUAL LANCE ASSEMBLY!**

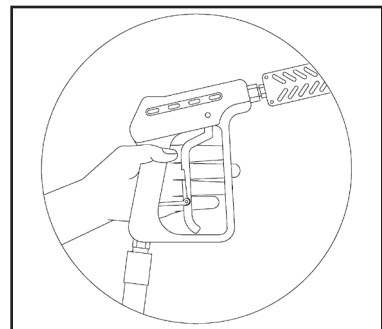
**ILLUSTRATION #14  
QUICK CONNECT**



**ILLUSTRATION #15  
Q.C. NOZZLES**



**ILLUSTRATION #16  
GUN LOCK**

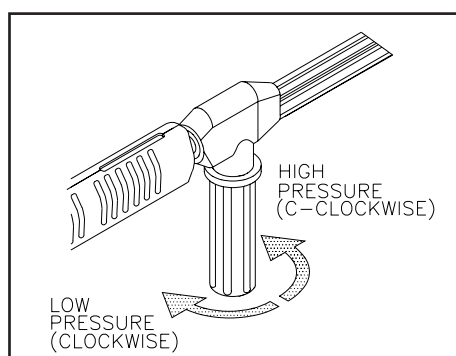


## PREPARATION

### DUAL LANCE ASSEMBLY WITH ADJUSTABLE PRESSURE:

1. This unit features an adjustable pressure dual lance with adjustable pressure which allows the user to select a high or low pressure "fan" spray. Simply rotate the adjustable grip on the dual lance to achieve the desired pressure selection.
  - a. Selection of high pressure can be achieved by turning the adjustable grip on the dual lance **counterclockwise** as shown in illustration #18.
  - b. Selection of low pressure can be achieved by turning the adjustable grip on the dual lance **clockwise** as shown in illustration #18. If using the detergent injector accessory, once the pressure is low enough, this injector on the pressure washer will draw detergent into the system. A water/detergent mixture exits from both the spray nozzle and detergent nozzle.

**ILLUSTRATION #18**  
**DUAL LANCE**



---

### PRE-START INSPECTION PROCEDURES:

1. Before starting the unit, perform the following procedures:
  - a. Check for gas smell. If a gas smell is detected, **DO NOT START UNIT!** See "Risk of Explosion or Fire" warnings, pg. 4.
  - b. Check all hose connections to ensure they are securely tightened.
  - c. Inspect for system water and oil leaks.
  - d. Inspect high pressure hoses for kinking, cuts and leaks. If a cut or leak is found, **DO NOT USE HOSE!** Replace hose before starting unit. See "Risk of Injection" warnings, pg. 7. Be sure that all damaged parts are replaced and that the mechanical problems are corrected prior to operation of the unit. If you require service, contact your Customer Service Representative.

# **WARNING**

**THE FOLLOWING PAGES CONTAIN OPERATING AND MAINTENANCE INSTRUCTIONS.**

**DO NOT ATTEMPT TO OPERATE THIS PRESSURE WASHER UNTIL YOU HAVE READ AND UNDERSTOOD ALL SAFETY PRECAUTIONS AND INSTRUCTIONS LISTED IN THIS MANUAL. FOLLOW THE MAINTENANCE INSTRUCTIONS SPECIFIED IN THE MANUAL.**

**INCORRECT OPERATION OF THIS UNIT CAN CAUSE SERIOUS INJURY!!**

**DO NOT ALTER OR MODIFY THIS EQUIPMENT IN ANY MANNER!**



## OPERATING INSTRUCTIONS

Once your unit has been installed by a qualified serviceman and you have completed the PRE-OPERATION CHECKLIST on pg. 20, you are ready for operation. The following steps will help you operate your machine safely.



### CAUTION

#### RISK OF UNIT DAMAGE!

BE CERTAIN THE GUN & DUAL LANCE ASSY. ARE NOT CONNECTED TO THE UNIT WHILE FLUSHING THE SYSTEM. FLUSHING ALLOWS MINERAL DEPOSITS TO BE RELEASED FROM THE SYSTEM WHICH WOULD OBSTRUCT OR DAMAGE THE GUN AND NOZZLE ASSEMBLY RESULTING IN COSTLY REPAIRS.

#### FLUSHING THE SYSTEM:

1. This unit has a steel coil which, after setting, will cause the water remaining in the coil from the previous usage to turn brown or black. This water must be flushed from the system before start-up. This procedure should be performed **without** the gun and adjustable pressure dual lance installed.
  - a. Verify the water supply is on.
  - b. Move the pump switch to the "ON" position to start the pumping unit.
  - c. Run the unit for 3-5 minutes.
  - d. Turn off machine.
  - e. Once the system is flushed, connect the trigger gun and adjustable pressure dual lance to the high pressure hose.



### DANGER

#### RISK OF INJECTION CAUSING SEVERE INJURY!

KEEP CLEAR OF NOZZLE! NEVER PLACE HAND OR FINGERS IN FRONT OF NOZZLE!

DO NOT DIRECT DISCHARGE STREAM AT PEOPLE OR PETS!

#### COLD WATER OPERATION:

1. Refer to the "Safety Precautions" pgs. 4-9 before starting the unit.
2. Locate the Safety Decals on your unit and heed their warnings.
3. Ensure that the burner switch is in the "OFF" position.
4. Pointing the trigger gun in a safe direction, unlock the trigger gun and squeeze the trigger. Brace yourself for possible gun kickback when the pump starts.
5. Move the pump switch to the "ON" position to start the pumping unit.
6. Once the unit has started, perform the following procedures with the gun open:
  - a. Inspect for system water and oil leaks.
  - b. Inspect high pressure hoses for leaks. If a leak is found, **DO NOT TOUCH HOSE AT LEAK!!! TURN UNIT OFF IMMEDIATELY!** Replace hose before using the unit. See "Risk of Injection" warnings, pg. 7. Be sure that all damaged parts are replaced and that the mechanical problems are corrected prior to operation of the unit.
7. At this point, the unit is operating as a cold water pressure washer. Trigger the gun several times and try adjusting the water pressure by rotating the grip on the dual lance. **NEVER** place hand or fingers in front of the nozzle or look directly into the nozzle! High pressure water creates a risk of severe injury!
8. Do not allow unit to operate in bypass mode (with trigger closed) for more than three minutes without triggering the gun. Failure to follow this simple rule can cause premature failure of pump packing seals, resulting in costly pump repair.
9. Your pressure washer can deliver high pressure spray and a variety of spray patterns using cold water. If you wish to use the hot water application or cleaning with detergents, see pg. 26 for the correct procedures.



### CAUTION

#### RISK OF DAMAGE!

DO NOT ALLOW SPRAY PATTERN TO REMAIN ON A FIXED AREA FOR AN EXTENDED PERIOD OF TIME. POSSIBLE DAMAGE MAY OCCUR TO THE AREA.

## OPERATING INSTRUCTIONS

### HOT WATER OPERATION:

1. Follow the steps outlined for "COLD WATER OPERATION."
2. Move the burner switch to the ON position. On initial start-up, water will begin turning hot in approximately 60 seconds and will reach maximum temperature in approximately 3 minutes, provided the trigger remains squeezed. The burner will stop firing when the trigger is released.
3. Set thermostat to the desired setting.

At this point, the unit is operating as a hot water pressure washer. Be certain to be extremely cautious when adjusting the pressure and controlling the trigger gun/dual lance assembly to avoid the possibility of burns.

**NOTE:** *The burner is equipped with a safety lock-off device. If the pilot fails to ignite within 60 seconds, the gas valve locks OFF. Simply release the trigger for approximately another 60 seconds and repeat. During operation, the burner may cease and start occasionally because of the thermostat setting.*

---

### CLEANING WITH DETERGENTS:

This feature is designed for use with mild detergents only. Since the cleaning solution travels through the heat exchanger coil, do not use corrosives as they will cause extensive damage as well as pose a considerable safety hazard.

1. Be certain to wear protective safety attire.
2. Prepare detergent solution according to label directions. (Never pump acids, alkalines, abrasive fluids or solvents through the unit.)
3. Fully immerse the *strainer end* of the clear vinyl detergent hose into the detergent solution.
4. Adjust the amount of detergent desired by turning the detergent adjustment knob to the desired setting.
5. To apply solution, unlock the trigger gun and squeeze the trigger. In a few moments a detergent/water mixture will exit the nozzle. Start spraying the lower portion of the surface being cleaned and move up, using long overlapping strokes. Applying from the bottom up helps avoid streaking. Allow to soak briefly. Avoid working on hot surfaces or in direct sunlight to minimize the chances of the detergent drying, which may result in damaging surfaces. Be certain to clean a small section at a time.
6. To rinse, turn the detergent adjustment knob to the OFF position. It will take about 30 seconds to purge all detergent from the line. For best rinsing results, start at the top and work down.

**NOTE:** *If machine is equipped with remote box (es), read for information on detergent solenoid.*

7. Siphon a gallon of water through the detergent system after each use. This prevents the possibility of corrosion or detergent residue causing mechanical problems during the next use.

**NOTE:** *The detergent adjustment knob or detergent solenoid MUST be turned to the OFF position when not in use or when the strainer is not totally submerged in solution. If not, the pump will lose its prime resulting in no spray discharge at the nozzle. This condition will damage the pump over an extended time period.*



### WARNING

#### **RISK OF BURN!**

**THE WATER TEMPERATURE COULD BECOME VERY HOT DURING HOT WATER OPERATION. BE CAUTIOUS WHEN ADJUSTING PRESSURE OR CONTROLLING THE TRIGGER GUN/DUAL LANCE ASSEMBLY.**



### IMPORTANT

**WHEN COLD WATER IS BEING PUMPED INTO THE HEAT EXCHANGER AND THE BURNER IS ON, CONDENSATION MAY FORM ON THE COIL AND DRIP. THIS WILL GIVE THE APPEARANCE OF A LEAKING COIL PARTICULARLY IN COLD HUMID WEATHER.**

## OPERATING INSTRUCTIONS

### SHUTDOWN:

1. If the burner switch is still on, turn it off.
  2. Squeeze the trigger and discharge the water for a period of three minutes to cool the heat exchanger and high pressure hose. (Insufficient cool down period of the high pressure hose will cause excessive wear and eventual rupturing of the hose.)
  3. Move the pump switch to the "OFF" position to stop the pumping unit. If machine has the time-delay shut-down option, wait for timer to time-out and shut machine off. See below for more information on time-delay shutdown.
  4. Trigger the gun momentarily to relieve trapped pressure.
- 

### OPTIONS:

#### REMOTE BOXES

The remote box option allows the unit to be controlled from up to four remote workstations. The remote stations are wired in parallel to allow the operator to have full control of the unit from any station at anytime. Detergents are controlled by a chemical solenoid added to the main unit and control switches on the remote boxes.

The maximum run for the remote wiring are as follows:

14 Gauge Wire - 200 feet

16 Gauge Wire - 100 feet

#### TIME-DELAY SHUTDOWN

The time-delay shutdown option provides an adjustable automatic shutdown for the main unit. The factory presets the time-delay shutdown interval at 2 1/2 minutes. This option overrides the operation of the pump on/off switch for control of the pump motor shutdown.

#### AUTO START/STOP

The auto start/stop option provides an adjustable automatic shutdown and a pressure switch to restart the unit automatically when the gun is triggered. The factory presets the time-delay shutdown interval at 2 1/2 minutes. This option is not available with remote box option or flow-activated unloader option.

#### STEAM - 250°F

The 250°F steam option provides wet steam output from the unit. By adjusting the steam valve on the main control panel for the unit and using the included steam nozzle, 250°F steam is obtained. The sizing of the steam nozzle is critical to proper operation of the option.

## MAINTENANCE

### PREVENTIVE MAINTENANCE:

#### LEAKS:

Promptly eliminate any leaks found in the pumping system by removing suspect parts, applying thread sealant to the threads and reinstalling.

*Note: If using teflon tape, be certain no tape gets inside any plumbing to prevent the possibility of a plugged spray nozzle.*

#### QUICK COUPLERS:

There are o-ring seals inside the couplers which will deteriorate. To replace, simply install a replacement o-ring to correct the leak. (See illustration #19) (Additional o-rings can be purchased from your dealer.)

#### NOZZLE:

Water flow through the spray nozzle will erode the orifice, making it larger, resulting in a pressure loss. Nozzles should be replaced whenever pressure is less than 85% of the maximum. The frequency of replacement will depend upon such variables as mineral content in the water and number of hours the nozzle is used.

#### PUMP:

1. Change the pump oil after the first 50 hours of operation. After initial change, every 3 months or 250 hour intervals are recommended. If oil appears dirty or milky, changes may be required in greater frequency.
2. Locate the pump oil drain hose.
3. Use an empty container to catch the oil and remove the plug from the drain line. (See illustration #20)
4. Let all the oil drain from the pump and replace drain plug. Dispose of used oil according to local, state and national regulations.
5. Fill the pump crankcase to the notch on the dipstick with pump oil SAE20 or 30 non-detergent. Do not overfill.

#### BELT TENSION:

Ensure unit is off. Remove the side panel or lift lid to inspect the v-belts for wear and tightness. If the v-belt needs to be replaced or tightened, follow the procedures listed below and see illustration #21.

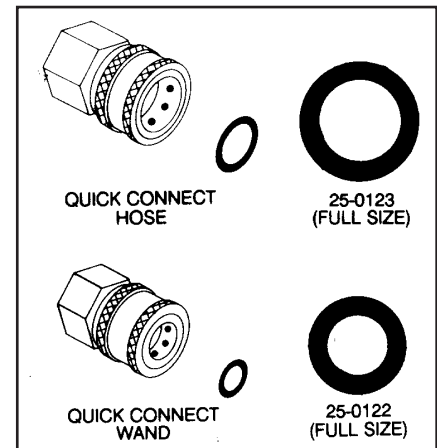
#### REPLACEMENT:

1. Loosen the four pump mounting bolts (A).
2. Loosen the two alignment nuts approximately one inch on the alignment bolts (B1 & B2).
3. Slide the pump toward the motor to loosen belts.
4. Remove and replace belt.

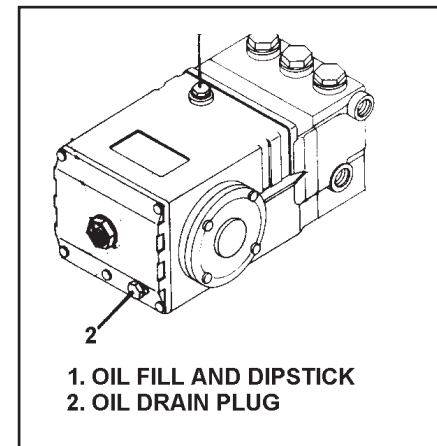
**TIGHTEN:** (If v-belt was not replaced, you will need to loosen the nuts on the alignment bolts B1 and B2 before proceeding.)

1. Tighten B2 alignment bolt. The pump will shift to the left until there is tension on the belt. Then tighten B2 nut.
2. Tighten B1 alignment bolt, until sheaves are straight. (Use a straightedge for alignment.)
3. Push on the v-belt to check belt deflection for tension. There should be 1/4" to 1/2" deflection for correct tension.
4. If sheaves are straight and tension is correct, tighten B1 nut and the four pump mounting bolts (A).
5. If tension is not correct, repeat steps 6 and 7 until correct alignment and tension is achieved. Tighten the four mounting bolts (A) when completed.
6. Loosen B2 nut, tighten B2 bolt, tighten B2 nut.
7. Loosen B1 nut, tighten B1 bolt, tighten B1 nut.

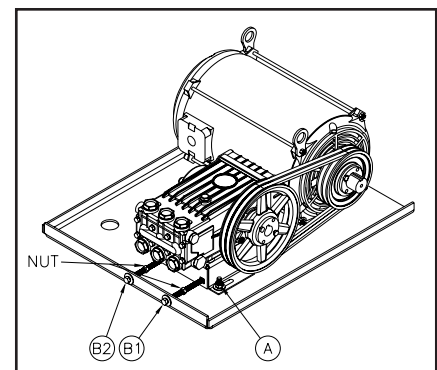
**ILLUSTRATION #19**  
**QUICK COUPLERS**



**ILLUSTRATION #20**  
**PUMP OIL DRAIN**



**ILLUSTRATION #21**  
**BELT TENSION ADJUSTMENT**



## MAINTENANCE

### DELIME COIL:

A loss in pressure may signify that the coil needs to be delimed. Do this procedure on a periodic basis.

1. Mix non-caustic deliming powder/solution in float tank according to package directions.
2. Remove the nozzle from the wand. Place a nylon stocking over the wand assembly to collect debris, then place the wand assembly into the float tank.
3. Turn the switch to the "Pump" position. Water will circulate throughout the system and back into the float tank. Allow circulation to continue for 2-4 hours.
4. Turn the switch to the "Off" position. Drain and clean the float tank. Remove nylon stocking and clean wand assembly.
5. Flush the entire system with clean, fresh water, then replace nozzle into wand assembly.
6. Dispose of deliming solution according to local, state and national regulations.

**TEST VOLTAGE & AMP DRAW:** Use a volt meter and amp meter to test the machine for correct voltage and amperage. If you do not have these instruments or do not know how to use them, this procedure should be performed by an authorized service technician.

## MAINTENANCE

### WINTERIZING:

For storage and transportation purposes in subfreezing ambient temperatures, it will be necessary to winterize this unit. This unit must be protected to the lowest incurred temperature for the following reasons:

1. If any part of the pumping system becomes frozen; excessive pressure may build up in the unit which could cause the unit to burst resulting in possible serious injury to the operator or bystanders.
2. The pumping system in this unit may be permanently damaged if frozen. FREEZE DAMAGE IS NOT COVERED BY WARRANTY.

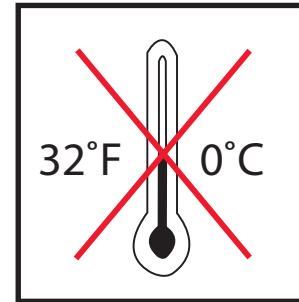
If you must store your unit in an area where the temperature may fall below 32°F, you can protect your unit by following one of the procedures listed below.

### AIR BLOWOUT:

1. Remove the nozzle from the wand assembly. Squeeze the trigger until water ceases to exit the wand assembly.
2. Connect an air fitting from an air hose to the strainer fitting in the float tank.
3. Run compressed air into the system to remove all water from the system.

### ANTIFREEZE SOLUTION:

1. Pour a 50/50 mixture of antifreeze and water into the float tank.
2. Place the detergent strainer into 100% antifreeze solution
3. Turn the switch to the "Pump" position. Allow antifreeze to siphon throughout the system until antifreeze solution exits the outlet. (To ensure the coil is winterized, antifreeze solution must exit the outlet. Add more 50/50 mixture to the float tank if necessary.)



## MAINTENANCE

### PREVENTIVE OPERATOR MAINTENANCE CHART

PROCEDURE	DAILY	3 MONTHS	6 MONTHS	9 MONTHS	12 MONTHS
Gas leak inspection	X				
Water leak inspection	X				
Oil leak inspection					
Quick-connect and hose inspection	X				
Check pump oil level	X				
Change pump oil*		X	X	X	X
Check belt tension		X	X	X	X
Replace high pressure nozzle		X	X	X	X
Test water pressure			X		X
Test water temperature			X		X

\*The pump oil must be changed after the first 50 hours of operation and every 250 hours or 3 months, whichever comes first.

### DEALER MAINTENANCE CHART

PROCEDURE	12 MONTHS
Gas supply inspection	X
Clean gas line drip legs	X
Burner inspection	X
Exhaust ventilation inspection	X
Descale coil*	X
Test Voltage & Amp Draw	X

\*Scale build-up will vary with mineral content in the water and amount of usage. Descaling can range from monthly to yearly maintenance.

## TROUBLESHOOTING

SYMPTOM	PROBABLE CAUSE	REMEDY
Motor will not run.	<p>Circuit overload.</p> <p>Secondary circuit overload.</p> <p>Motor overload.</p>	<p>Determine if voltage is on. If not, check wall breaker or fuse.</p> <p>Check primary and secondary fuses on transformer.</p> <p>Reset thermal overload button on pump motor or thermal overload in electrical box. Contact Customer Service.</p>
No discharge at nozzle when trigger mechanism is squeezed.	Water turned off.	Check incoming water supply. Increase hose diameter and provide adequate water supply (20 PSI, 6 GPM for 5 GPM, 11 GPM for 10 GPM units).
Low or fluctuating pressure.	<p>Inadequate water supply. Pump sucking air. (Prime eliminated.) High pressure detergent valve is open without the end of the hose inserted into detergent (causes vacuum leak and eliminates prime).</p> <p>Kink in high pressure discharge hose. Adjustable grip on dual lance is not in high pressure mode.</p> <p>Obstructed or worn spray nozzle.</p> <p>Damaged or obstructed valve assy. in pump.</p> <p>Pump packings worn.</p> <p>Unloader/bypass valve not operating correctly.</p>	<p>Tighten all water intake connections. Eliminate leaks in intake line.</p> <p>Close valve or submerge detergent hose into solution. Reprime pump.</p> <p>Replace kinked high pressure hose.</p> <p>Turn grip <b>counterclockwise</b> to move to high pressure.</p> <p>Remove, clean or replace.</p> <p>Remove, clean or replace.</p> <p>Replace packings.</p> <p>Repair or replace.</p>
Oil appears milky or foamy.	Water in oil.	Change pump oil. Fill to proper level.
Oil leaking from pump. Detergent will not siphon.	<p>Worn seals or o-rings.</p> <p>Detergent strainer is not completely submerged in detergent solution.</p> <p>Detergent strainer obstructed.</p> <p>Detergent hose cut, obstructed or kinked.</p> <p>Detergent adjusting knob turned to "OFF" position.</p>	<p>Contact Customer Service.</p> <p>Check, submerge if necessary.</p> <p>Inspect, clean or replace.</p> <p>Inspect, clean or replace.</p> <p>Open adjusting knob. Refer to "Cleaning With Detergents," pg. 25.</p>
Water flows back into detergent container.	Ball and spring in strainer missing or corroded.	Remove, clean or replace.



## TROUBLESHOOTING

SYMPTOM	PROBABLE CAUSE	REMEDY
Water flows from the nozzle when the trigger gun is locked in OFF position.	Trigger gun is malfunctioning.	Repair or replace.
Before start-up, you smell gas around the machine.	Gas is leaking.	Go to another location and call your gas supplier for instructions, or if you cannot reach the supplier, call the fire department.
Burner will not ignite.	<p>Burner switch not in ON position.</p> <p>Thermostat knob is OFF.</p> <p>Trigger gun is closed.</p> <p>Vacuum or pressure switch failure.</p> <p>Gas valve safety lock-out.</p> <p>Inadequate gas supply.</p> <p>Gas line obstruction.</p> <p>Ignition module failure.</p> <p>Gas valve failure.</p>	<p>Check switch position.</p> <p>Check thermostat knob position.</p> <p>Open trigger gun for pressure.</p> <p>Repair or replace.</p> <p>Release trigger on gun or switch burner switch "OFF" for 60 seconds.</p> <p>Check gas supply.</p> <p>Check gas pressure.</p> <p>Replace.</p> <p>Replace.</p>
Water is leaking under heat exchanger coil.	<p>Condensation.</p> <p>Ruptured heat exchanger coil.</p>	<p>May occur in cool, humid conditions. (See pg. 26, "IMPORTANT" notation.)</p> <p>Replace.</p>

## STATEMENT OF WARRANTY FOR ALL HEG-SERIES NATURAL GAS & L.P.-GAS FIRED HOT WATER PRESSURE WASHERS

The manufacturer warrants all parts (except those referred to below) of your new pressure washer to be free from defects in materials and workmanship during the following periods:

For Lifetime (Limited):

Pump Manifold

For Ten (10) Years limited from the date of original purchase:

High Pressure Pump

For Five (5) Years limited from the date of original purchase:

Heat Exchanger Coil

For Two (2) Years limited from the date of original purchase:

Guard or Shields

Plumbing

Frames

Pulleys

For One (1) Year limited from the date of original purchase:

Gas Valve

Ignition Control

Adjustable Thermostat

Control Transformer

For Ninety (90) Days from the date of original purchase:

Unloader Valve

Pressure Switch

Ignitor Assembly

High Limit Thermostat

For Thirty (30) Days from the date of original purchase:

High Pressure Hose

Trigger Gun

Strainers/Filters

Wand

Defective parts not subject to normal wear and tear will be repaired or replaced at our option during the warranty period. In any event, reimbursement is limited to the purchase price paid.

### EXCLUSIONS

1. Engine/motor is covered under separate warranty by its respective manufacturer and is subject to the terms set forth therein.

2. Normal wear parts:

Pump Packings

Spray Nozzles

Pump Valves

Detergent Valves

Quick Couplings

3. This warranty does not cover parts damaged due to normal wear, misapplication, misuse, operation at other than recommended speeds, pressures or temperature. Parts damaged or worn because of the use of caustic liquids or by operation in abrasive or corrosive environments or under conditions causing pump cavitation are not warranted. Failure to follow recommended operating and maintenance procedures also voids warranty.

4. The use of other than Genuine Repair Parts will void warranty. Parts returned, prepaid to our factory or to an Authorized Service Center will be inspected and replaced free of charge if found to be defective and subject to warranty. There are no warranties which extend beyond the description of the face hereof. Under no circumstances shall the manufacturer bear any responsibility for loss of use of the unit, loss of time or rental, inconvenience, commercial loss or consequential damages.



## TABLE DES MATIÈRES

INTRODUCTION.....	37
<b>AVERTISSEMENTS CONCERNANT LA SÉCURITÉ .....</b>	<b>38-43</b>
RISQUES D'INCENDIE OU D'EXPLOSION .....	38
RISQUES D'ASPHYXIE .....	39
RISQUES D'ÉLECTROCUTION OU DE CHOC ÉLECTRIQUE .....	40
RISQUES D'INJECTION OU DE COUPURE GRAVE .....	41
RISQUES DE BRÛLURES .....	42
RISQUES D'ÉCLATEMENT .....	42
RISQUES POSÉS PAR LES PIÈCES EN MOUVEMENT .....	42
RISQUES DE BLESSURES CORPORELLES .....	43
<b>COMPOSANTS DES LAVEURS .....</b>	<b>44-47</b>
<b>INSTALLATION .....</b>	<b>48-54</b>
EMPLACEMENT ET POSITIONNEMENT DE L' APPAREIL .....	48
MÉTHODE D'EMPLOI DU CHARIOT ÉLÉVATEUR À FOURCHE .....	48
ALIMENTATION ÉLECTRIQUE .....	49
CONDUITE D'ALIMENTATION EN GAZ .....	49
VENTILATION .....	50
BRANCHEMENTS ENTRANTS .....	51
ALIMENTATION EN EAU .....	52
RACCORDEMENT HAUTE PRESSION .....	52
INSPECTION ET VÉRIFICATIONS .....	53
LISTE DE VÉRIFICATIONS AVANT LA MISE EN MARCHÉ .....	54
<b>PRÉPARATION.....</b>	<b>55-57</b>
TENUE DE TRAVAIL .....	55
AVANT LA MISE EN MARCHÉ .....	55
DÉCHARGEUR .....	55
BUSES À MONTAGE RAPIDE.....	56
RACCORDEMENT DES BUSES .....	56
DOUBLE LANCE À PRESSION RÉGLABLE .....	57
INSPECTION DE SÉCURITÉ AVANT LA MISE EN MARCHÉ .....	57
<b>INSTRUCTION D'UTILISATION.....</b>	<b>59-61</b>
RINÇAGE DU SYSTÈME .....	59
UTILISATION AVEC EAU FROIDE .....	59
UTILISATION AVEC EAU CHAUDE .....	60
NETTOYAGE AVEC ADDITION DE DÉTERGENTS .....	60
GÉNÉRATION DE VAPEUR (OPTIONNELLE) .....	61
ARRÊT DE L'APPAREIL.....	61
<b>ENTRETIEN .....</b>	<b>62-65</b>
ENTRETIEN PRÉVENTIF .....	62
DÉTARTRAGE DU SERPENTIN:.....	63
PRÉPARATION À L'HIVER .....	64
<b>TABLEAU DE MAINTENANCE.....</b>	<b>65</b>
<b>DEPANNAGE.....</b>	<b>66-67</b>
<b>CONDITIONS DE GARANTIE .....</b>	<b>68</b>
<b>NOTA.....</b>	<b>69-70</b>

### CODES NATIONAUX:

ANSI Z223.1 (NFPA N° 54) - CODE NATIONAL DES CARBURANTS  
GAZEUX (É-U)

NFPA N° 70 (NEC) - CODE NATIONAL ÉLECTRIQUE (É-U)  
AU CANADA; SE RÉFÉRER AU CODE D'INSTALLATION DE GAZ CSA

B149.1  
AU CANADA; SE RÉFÉRER AU CODE ÉLECTRIQUE CANADIEN CSA  
C22.1 PARTIE 1

### **⚠ AVERTISSEMENT**

**⚠ AVERTISSEMENT:** Ce produit peut vous exposer à des produits chimiques, tel que le plomb, qui est reconnu par l'état de la Californie comme étant une cause de cancer, d'anomalies congénitales et d'autres problèmes liés à la reproduction. Pour plus de renseignements, aller à [www.P65Warnings.ca.gov](http://www.P65Warnings.ca.gov)

### **⚠ AVERTISSEMENT**

**⚠ AVERTISSEMENT:** Ce produit peut vous exposer à des agents chimiques, y compris carbon monoxide, identifiés par l'État de Californie comme pouvant causer des malformations congénitales ou autres troubles de l'appareil reproducteur. Pour de plus amples informations, prière de consulter [www.P65Warnings.ca.gov](http://www.P65Warnings.ca.gov).

## INTRODUCTION

Nous vous félicitons d'avoir acheté ce nouveau laveur haute pression de la série HEG ! Soyez assuré que votre laveur haute pression a été conçu et construit avec un souci de qualité et de haute performance. Chaque composant a subi des essais rigoureux pour garantir le plus haut degré de satisfaction.

Ce manuel de l'utilisateur, établi à votre intention, est composé de simples rubriques consacrées à la sécurité, à l'installation, à l'exploitation, à l'entretien et au dépannage de votre nouveau laveur haute pression. En lisant ce manuel et en observant scrupuleusement les instructions fournies, vous serez assuré d'un fonctionnement sans problème pendant de longues années. Le contenu de ce manuel est basé sur les informations les plus récentes disponibles au moment de la publication sur les divers composants du laveur. Manufacturé se réserve le droit de modifier le prix, la couleur, les matériaux, l'équipement, les spécifications ou les modèles sans aucun préavis.

**Ces paragraphes sont insérés dans un « ENCADRÉ DE SÉCURITÉ ». Cet encadré identifie et signale des avertissements de sécurité qui doivent être suivis durant la marche du laveur haute pression. Accompagnant ces avertissements de sécurité, des mots clés indiquent le sérieux du danger. Les mots clés utilisés dans ce manuel sont les suivants :**

**DANGER :** indique une situation présentant un danger imminent qui, s'il elle n'est pas évitée, **VA provoquer des blessures graves, voire mortelles.**

**ATTENTION :** indique une situation potentiellement dangereuse qui, s'il elle n'est pas évitée, **RISQUE** de provoquer des **blessures graves, voire mortelles.**

**MISE EN GARDE :** indique une situation potentiellement dangereuse qui, s'il elle n'est pas évitée, **RISQUE** de provoquer des **blessures légères ou de gravité moyenne.**



Les symboles à gauche de ce paragraphe sont des symboles avertisseurs. Ces symboles attirent l'attention du lecteur quant aux éléments et procédures présentant un danger potentiel pour lui et pour les autres utilisateurs de ce matériel. **TOUJOURS FOURNIR UNE COPIE DE CE MANUEL À QUICONQUE UTILISE CE MATÉRIEL. L'OPÉRATEUR DOIT LIRE TOUTES LES INSTRUCTIONS AVANT D'UTILISER CE LAVEUR HAUTE PRESSIION, EN INSISTANT BIEN SUR LES AVERTISSEMENTS TOUCHANT À LA SÉCURITÉ POUR ÉVITER LES RISQUES DE BLESSURES.**

Une fois l'appareil déballé, inscrire immédiatement son numéro de série à la ligne ci-dessous.

**NUMÉRO DE SÉRIE** \_\_\_\_\_

Inspecter le matériel reçu pour vérifier qu'aucun dommage évident ou caché n'est présent. En cas de dommages, porter immédiatement une réclamation auprès du transporteur. S'assurer que toutes les pièces endommagées ont été remplacées et que tous les problèmes d'ordre mécanique ou électrique ont été résolus avant de mettre l'appareil en marche. Si un dépannage est nécessaire, contacter le service clients.

En cas d'appel de dépannage, avoir sous la main toutes les informations ci-dessous :


1. Numéro de modèle
2. Numéro de série
3. Date et lieu d'achat






## AVERTISSEMENTS CONCERNANT LA SÉCURITÉ

LIRE TOUS LES AVERTISSEMENTS DE SÉCURITÉ AVANT L'INSTALLATION ET L'EXPLOITATION DU LAVEUR HAUTE PRESSION.

DANGER	CONSEQUENCES POSSIBLES	PREVENTION
<p data-bbox="191 226 483 254"><b>RISQUES D'ASPHYXIE</b></p> 	<p data-bbox="581 226 987 331">L'inhalation des gaz d'échappement du brûleur ou de vapeurs toxiques peut entraîner des lésions graves, voire mortelles.</p>	<p data-bbox="1019 226 1521 436">L'installation de cet appareil, ventilation des gaz de combustion incluse, doit se conformer à tous les codes locaux, provinciaux et nationaux. (Parmi les normes à respecter, le « National Fuel Gas Code » (code national des combustibles gazeux) ANSI Z223.1/NFPA N° 54. Au Canada; Se référer au code d'installation de gaz CSA B149.1).</p> <p data-bbox="1019 447 1521 646">Toujours s'assurer que la ventilation est adéquate (air frais venant de l'extérieur) pour permettre la respiration et la combustion. Ceci évitera une accumulation dangereuse d'oxyde de carbone. Se méfier des locaux mal aérés ou des locaux possédant des ventilateurs d'évacuation susceptibles de nuire aux échanges d'air.</p> <p data-bbox="1019 657 1521 856">Si une odeur de gaz est décelée, couper l'alimentation en gaz de l'appareil, éteindre toutes les flammes et vérifier tous les raccords à l'aide d'une solution savonneuse. Si l'odeur persiste, avvertir immédiatement le fournisseur de gaz.</p> <p data-bbox="1019 867 1521 1045">Suivre toutes les recommandations applicables aux matériaux soumis à la pulvérisation. L'utilisation d'un respirateur peut être nécessaire avec certains matériaux. Ne pas se servir du laveur haute pression pour pulvériser des produits nocifs.</p>

## AVERTISSEMENTS CONCERNANT LA SÉCURITÉ

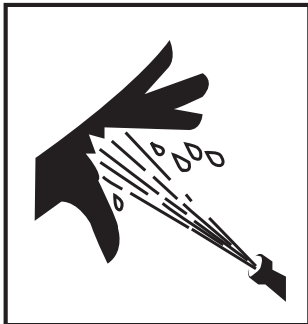
LIRE TOUS LES AVERTISSEMENTS DE SÉCURITÉ AVANT L'INSTALLATION ET L'EXPLOITATION DU LAVEUR HAUTE PRESSION.

DANGER	CONSEQUENCES POSSIBLES	PREVENTION
<p><b>RISQUES D'ÉLECTROCUTION OU DE CHOC ÉLECTRIQUE</b></p> 	<p>Une installation incorrecte peut entraîner des blessures graves, voire mortelles.</p> <p>Une mise à la masse incorrecte du laveur haute pression peut entraîner des blessures graves, voire mortelles. Ce laveur haute pression marche à l'électricité et risque de provoquer des électrocutions ou des chocs électriques s'il est utilisé de manière incorrecte.</p> <p>Des chocs électriques sont possibles si le laveur haute pression est utilisé de manière incorrecte.</p> <p>Le contact avec la source de courant peut entraîner des blessures graves, voire mortelles.</p> <p>Des réparations électriques par des personnes non qualifiées peuvent entraîner des blessures graves, voire mortelles.</p>	<p>L'installation de cet appareil, y compris tous les raccordements électriques, doit se conformer à tous les codes locaux, provinciaux et nationaux. (Parmi les normes à respecter, la norme NFPA N° 70/NEC Code électrique national. Au Canada; Se référer au code électrique Canadien CSA C22.1 Partie 1).</p> <p>Cet appareil doit être branché à une installation électrique permanente avec mise à la terre; ou un fil conducteur relié à une terre doit être tiré avec les fils conducteurs du circuit électrique et branché sur la borne de mise à la terre de l'appareil.</p> <p>Vérifier que le laveur haute pression est branché à une source correctement mise à la terre, fournissant la tension correcte et protégée comme il se doit par un disjoncteur. Couper l'alimentation électrique lorsque l'appareil est inutilisé ou avant de procéder à des réparations.</p> <p>Ne pas essayer d'allumer manuellement la veilleuse. L'allumeur électronique à étincelle l'allume automatiquement.</p> <p>Ne jamais utiliser le laveur haute pression lorsque ses armoires électriques sont ouvertes, démontées ou endommagées.</p> <p>Ne pas toucher la machine avec des mains mouillées ou si l'on est sur un sol mouillé. Ne jamais laisser les câbles d'alimentation ni une quelconque connexion reposer dans l'eau.</p> <p><b>NE JAMAIS</b> diriger directement le jet de pulvérisation vers du matériel électrique, quel qu'il soit ! Ceci inclut les prises électriques, les ampoules, les tableaux de distribution, les transformateurs, l'appareil lui-même, etc.</p> <p><b>NE JAMAIS</b> mettre en contact les parties métalliques du laveur haute pression avec des composants sous tension.</p> <p>Toute réparation ou câblage électrique de ce laveur haute pression doit être effectué par un réparateur agréé et conformément aux codes électriques locaux et nationaux.</p> <p>Avant d'ouvrir une quelconque armoire électrique, toujours éteindre puis dépressuriser le laveur haute pression et le débrancher de son alimentation électrique. Attendre qu'il se refroidisse. Ne jamais présumer que l'on peut intervenir sans danger sur le laveur haute pression simplement parce qu'il est arrêté. Il pourrait redémarrer à tout moment !</p>




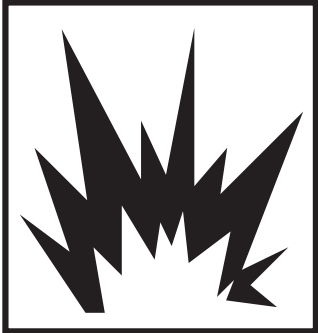

## AVERTISSEMENTS CONCERNANT LA SÉCURITÉ

LIRE TOUS LES AVERTISSEMENTS DE SÉCURITÉ AVANT L'INSTALLATION ET L'EXPLOITATION DU LAVEUR HAUTE PRESSION.

DANGER	CONSEQUENCES POSSIBLES	PREVENTION
<p><b>RISQUES D'INJECTION OU DE COUPURE GRAVE</b></p> 	<p>La pulvérisation à haute pression risque de pénétrer la peau et de provoquer des blessures graves, voire mortelles.</p>	<p>Se tenir à distance de la buse et de la pulvérisation ! Ne jamais placer la main, les doigts ou toute partie du corps sur la buse de pulvérisation.</p> <p>Ne jamais pointer la pulvérisation à haute pression dans votre direction ou en direction de quiconque.</p> <p>Se tenir à l'écart du jet. Ne pas diriger le jet de sortie vers d'autres personnes.</p> <p>Ce produit est destiné uniquement à des personnes formées à son utilisation.</p> <p>Personne ne doit se trouver dans la zone d'utilisation de l'appareil.</p> <p>Pour réduire le risque de blessures, surveiller les enfants de près quand vous vous servez de l'appareil à coté d'eux. <b>INTERDIRE</b> aux enfants d'utiliser cet appareil.</p> <p><b>OBTENIR DES SOINS MÉDICAUX D'URGENCE</b> si la pulvérisation paraît avoir pénétré la peau ! <b>NE PAS TRAITER CECI COMME UNE SIMPLE COUPURE !</b> Être prêt à informer le médecin du type de produits nettoyants utilisé en consultant les fiches signalétiques (MSDS) fournies avec les détergents.</p> <p>Les boyaux haute pression doivent être inspectés quotidiennement pour vérifier l'absence de signes d'usure. Si une défectuosité est évidente, remplacer tous les boyaux suspects pour éviter le risque de blessures par la pulvérisation haute pression. Si un boyau ou un raccord fuit, <b>NE PLACER JAMAIS LA MAIN DIRECTEMENT SUR LA FUITE.</b></p> <p>Avant d'utiliser le laveur haute pression, ou lors de la connexion par raccord rapide des boyaux haute pression aux buses de pulvérisation, s'assurer que le collier du raccord rapide femelle est soigneusement verrouillé afin d'éviter une décharge fortuite et que tous les raccords d'accouplement rapide sont solidement engagés.</p> <p><b>NE JAMAIS UTILISER</b> le pistolet avec sa gâchette bloquée en position ouverte. Pour éviter des décharges accidentelles, cette gâchette doit être solidement verrouillée lorsque le pistolet est inutilisé.</p> <p>Avant de démonter la buse de pulvérisation ou avant un dépannage de l'appareil, <b>TOUJOURS</b> arrêter l'appareil et appuyer sur la gâchette du pistolet pour relâcher la pression résiduelle au sein du système. (Même après l'arrêt de l'appareil, la pompe, le boyau et le pistolet contiennent encore de l'eau sous forte pression, la pression n'étant dissipée qu'en actionnant la gâchette du pistolet.)</p>


## AVERTISSEMENTS CONCERNANT LA SÉCURITÉ

LIRE TOUS LES AVERTISSEMENTS DE SÉCURITÉ AVANT L'INSTALLATION ET L'EXPLOITATION DU LAVEUR HAUTE PRESSION.

DANGER	CONSEQUENCES POSSIBLES	PREVENTION
<p style="text-align: center;"><b>RISQUES DE BRÛLURES</b></p> 	<p>Le fait de toucher l'échangeur de chaleur ou la conduite d'évacuation risque de provoquer de graves blessures. Ces pièces peuvent rester brûlantes, même après l'arrêt du laveur haute pression.</p>	<p>Veiller à ne jamais toucher l'échangeur de chaleur ou le conduit d'évacuation.</p>
<p style="text-align: center;"><b>RISQUES D'ÉCLATEMENT</b></p> 	<p>Si l'on utilise des composants, ou accessoires incorrects, de graves blessures sont à craindre par suite d'un mauvais fonctionnement du laveur haute pression ou de l'explosion d'un de ses accessoires.</p> <p>Toute tentative de mise en marche d'un laveur haute pression gelé risque de provoquer des blessures graves, voire mortelles.</p>	<p>Ne jamais modifier les réglages de pression faits en usine.</p> <p>Si le brûleur ne s'éteint pas, couper l'arrivée de gaz et contacter le réparateur.</p> <p>Ne jamais dépasser la pression maximale permise par le fabricant des accessoires utilisés.</p> <p>Pour éviter des éclatements accidentels, faire en sorte qu'aucun boyau ne puisse venir en contact avec l'échangeur de chaleur. Éviter de traîner les boyaux sur des surfaces abrasives, telles les surfaces cimentées.</p> <p>N'utiliser que des pièces de rechange recommandées par le fabricant du laveur haute pression.</p> <p>En cas de gel, l'appareil doit toujours être suffisamment chaud pour empêcher la formation de glace à l'intérieur. Ne pas mettre en marche le laveur tant qu'il n'est pas dégelé.</p>
<p style="text-align: center;"><b>RISQUES POSÉS PAR LES PIÈCES EN MOUVEMENT</b></p> 	<p>Les pièces en mouvement du laveur haute pression sont susceptibles de blesser grièvement l'opérateur.</p>	<p>Ne pas utiliser l'appareil sans que tous ses capots de protection soient en place et ne faire aucun réglage sans tout d'abord arrêter et dépressuriser l'appareil, puis le débrancher de son alimentation électrique. Laisser l'appareil se refroidir. Ne jamais présumer que l'on peut intervenir sans danger sur le laveur haute pression simplement parce qu'il est arrêté. Il pourrait redémarrer à tout moment !</p>

## AVERTISSEMENTS CONCERNANT LA SÉCURITÉ

LIRE TOUS LES AVERTISSEMENTS DE SÉCURITÉ AVANT L'INSTALLATION ET L'EXPLOITATION DU LAVEUR HAUTE PRESSION.

DANGER	CONSEQUENCES POSSIBLES	PREVENTION
<p><b>RISQUES DE BLESSURES CORPORELLES</b></p> 	<p>Des blessures graves, voire mortelles sont possibles si le détergent pénètre la peau ou entre en contact avec elle.</p> <p>La projection de débris à très grande vitesse par le pistolet de pulvérisation peut provoquer de graves blessures.</p> <p>L'opérateur risque de se blesser si la pression de l'eau sortant de la buse de pulvérisation le déséquilibre.</p> <p>Le laveur haute pression risque de blesser.</p>	<p><b>OBTENIR DES SOINS MÉDICAUX D'URGENCE</b> si la pulvérisation paraît avoir pénétré la peau ! <b>NE PAS TRAITER CECI COMME UNE SIMPLE COUPURE !</b> Être prêt à informer le médecin du type de produits nettoyants utilisés en consultant les fiches signalétiques (MSDS) fournies avec les détergents.</p> <p>Ne jamais utiliser de solvants ou de détergents fortement corrosifs ou des produits nettoyants acides avec ce laveur haute pression.</p> <p>Il est conseillé de porter des équipements de protection, tels combinaisons caoutchoutées, gants et respirateurs, surtout lorsqu'on utilise des détergents.</p> <p>Tenir tous les détergents hors de portée des enfants.</p> <p><b>TOUJOURS</b> porter des lunettes protectrices durant l'utilisation de l'appareil afin de se protéger des projections de débris et de détergent.</p> <p><b>NE PAS</b> diriger la pulvérisation sur des matériaux fragiles comme le verre car ils risquent de se briser.</p> <p>Rester attentif - être conscient de ce que l'on fait. Ne pas utiliser l'appareil s'il l'on est fatigué, en état d'ébriété ou sous l'influence de médicaments ou drogues.</p> <p><b>NE JAMAIS</b> presser sur la gâchette tant que l'on n'a pas assuré sa position.</p> <p><b>NE PAS</b> essayer d'atteindre des objets trop éloignés. <b>NE PAS</b> se tenir sur des supports instables.</p> <p>Les surfaces mouillées peuvent être glissantes. Porter des chaussures de protection et constamment assurer son équilibre et avoir le pied sûr.</p> <p><b>NE JAMAIS</b> presser sur la gâchette s'il l'on est sur un toit ou une échelle.</p> <p><b>TOUJOURS</b> tenir fermement le pistolet / la lance durant la mise en marche et l'utilisation de l'appareil. L'inobservation de cette consigne peut entraîner la chute de la lance qui risque alors de se déplacer avec violence.</p> <p>Savoir comment arrêter le laveur haute pression et le dépressuriser rapidement. Bien connaître toutes ses commandes.</p> <p><b>NE PAS</b> laisser l'appareil sous pression sans surveillance. Avant de s'en éloigner, l'arrêter et relâcher la pression résiduelle.</p> <p><b>NE PAS</b> utiliser l'appareil si des fuites d'huile ou d'eau se manifestent. <b>NE PAS</b> reprendre l'utilisation tant que l'appareil n'a pas été inspecté et réparé par un réparateur qualifié. Ne jamais modifier les réglages de l'appareil pendant la marche.</p> <p>Avant tout dépannage, arrêter l'appareil, relâcher sa pression résiduelle et le débrancher de son alimentation électrique. Laisser l'appareil se refroidir. Ne jamais présumer que l'on peut intervenir sans danger sur le laveur haute pression simplement parce qu'il est arrêté. Il pourrait redémarrer à tout moment !</p>

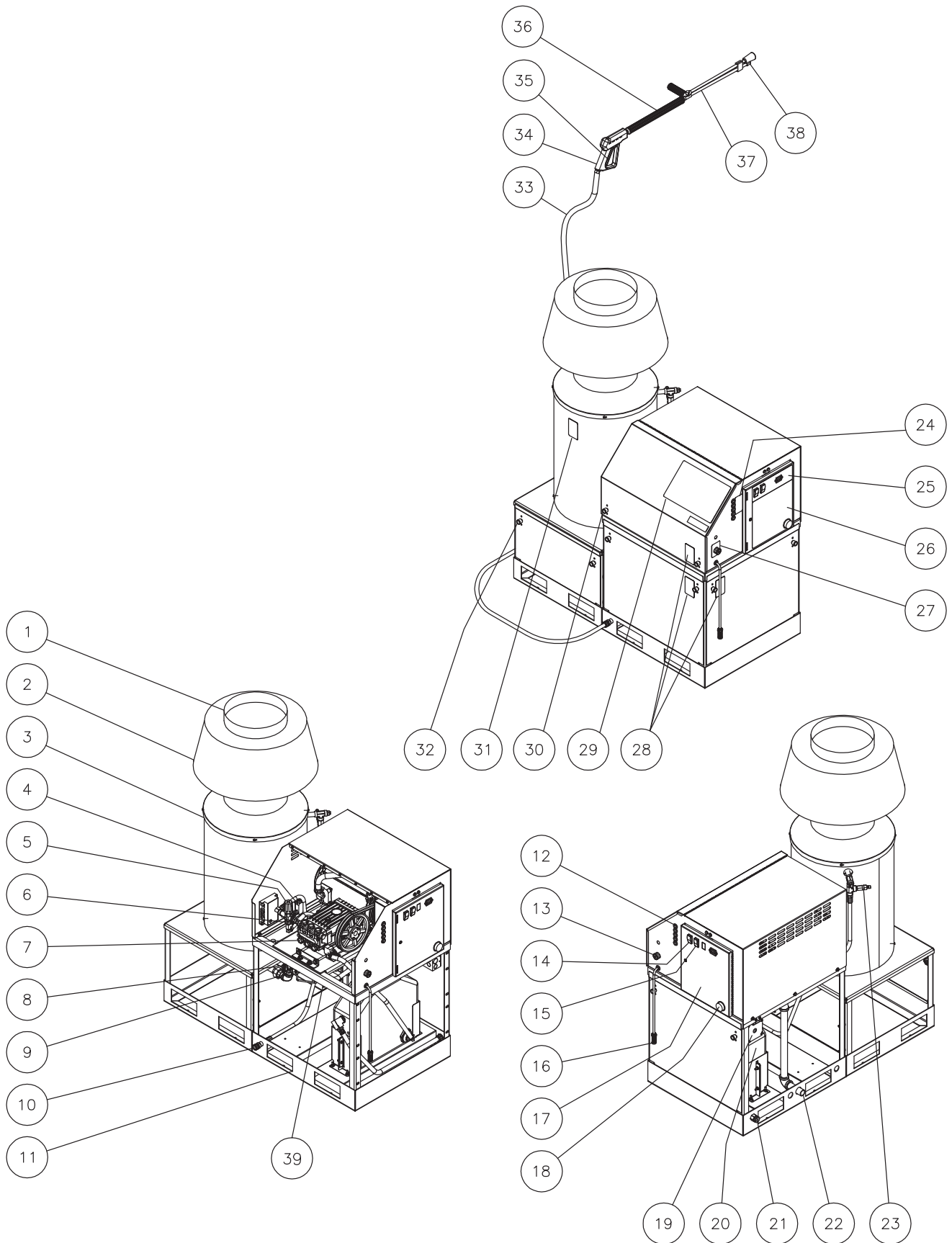


**CONSERVEZ CES INSTRUCTIONS**



# COMPOSANTS DES LAVEURS DE LA SERIE HEG

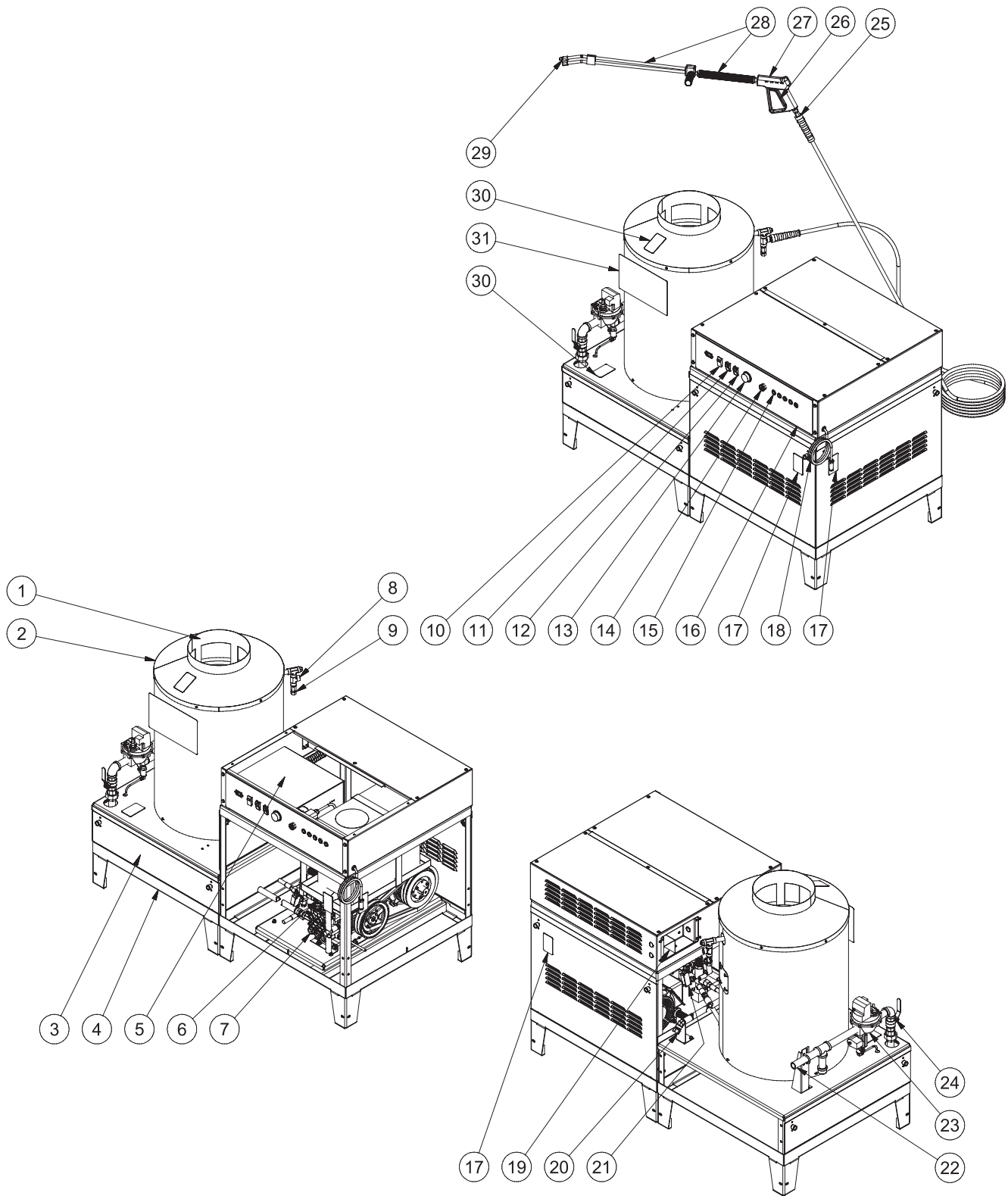
HEG SERIES FEATURES-080212



## LISTE DES COMPOSANTS

1. Valve d'échappement
2. Pare-courant d'air
3. Echangeur de chaleur
4. Interrupteur pression
5. Taraudage pression du déchargeur
6. Valve Thermique
7. Pompe haute pression
8. Clapet d'arrêt de gaz
9. Clapet de gaz
10. Sortie haute pression
11. Accès chariot à fourche
12. Rangement buse
13. Clapet de régulation des détergents
14. Interrupteur de la pompe avec voyant lumineux
15. Interrupteur du brûleur avec voyant lumineux
16. Crépine de détergents
17. Enceinte électrique
18. Thermostat réglable
19. Boîte de dérivation électrique
20. Réservoir flotteur avec filtre
21. Admission d'eau
22. Admission d'alimentation en gaz
23. Soupape de sureté
24. Décalque-Buses
25. Décalque-Interrupteurs du boîtier électrique (Pompe/Brûleur)
26. Décalque-Opération
27. Décalque-Clapet détergent
28. Décalque-Avertissement: Risque de blessures/Poulies apparentes
29. Décalque- Avertissement/Attention
30. Porte d'accès à gonds
31. Décalque-Avertissement: Surfaces Chaudes
32. Panneau d'accès
33. Tuyau haute pression
34. Pistolet de déclenchement
35. Cran de sûreté du pistolet
36. Lance isolée
37. Lance double à pression réglable
38. Buses haute pression
39. Pompe de vidange d'huile

# COMPOSANTS DES LAVEURS DE LA SERIE HEG VOLUME ÉLEVÉ



HEG-3008\_2010 FEATURES 050916


## LISTE DES COMPOSANTS

1. Valve d'échappement
2. Echangeur de chaleur
3. Panneau d'accès
4. Accès chariot à fourche
5. Enceinte électrique
6. Valve Thermique
7. Pompe haute pression
8. Sortie haute pression
9. Soupape de sureté
10. Interrupteur de la pompe avec voyant lumineux
11. Interrupteur du brûleur avec voyant lumineux
12. Manette de détergent
13. Thermostat réglable
14. Clapet de régulation des détergents
15. Rangement buse
16. Décalque- Tableau de commande
17. Décalque-Avertissement: Risque de blessures/Poulies apparentes
18. Crépine de détergents
19. Boîte de dérivation électrique
20. Admission d'eau
21. Interrupteur pression
22. Admission d'alimentation en gaz
23. Clapet de gaz
24. Clapet d'arrêt de gaz
25. Tuyau haute pression
26. Cran de sûreté du pistolet
27. Pistolet de déclenchement
28. Lance isolée double à pression réglable
29. Buses haute pression
30. Décalque-Avertissement: Surfaces Chaudes
31. Décalque- Avertissement/Attention



## INSTALLATION

 **DANGER**  
**RISQUES D'INCENDIE OU D'EXPLOSION !**  
NE PAS PLACER L'APPAREIL DANS UN ENDROIT OÙ DES VAPEURS INFLAMMABLES RISQUENT D'ÊTRE PRÉSENTE. UNE ÉTINCELLE PEUT PROVOQUER UNE EXPLOSION OU UN INCENDIE !  
**RISQUES D'ÉCLATEMENT DE L'APPAREIL ! NE PAS SITUER L'APPAREIL DANS UN ENDROIT OÙ IL RISQUE DE GELER.**

 **ATTENTION**  
**RISQUES D'ASPHYXIE !**  
N'UTILISER CE PRODUIT QUE DANS UN LOCAL BIEN VENTILÉ ! LES GAZ D'ÉCHAPPEMENT CONTIENNENT DE L'OXYDE DE CARBONE, UN GAS INODORE, INVISIBLE ET TOXIQUE. L'INHALATION DE CE GAZ PEUT PROVOQUER DES MALADIES ET DES LÉSIONS GRAVES, VOIRE MORTELLES.

 **ATTENTION**  
**RISQUES DE DOMMAGES À LA MACHINE!**  
LA MACHINE DOIT ÊTRE MANIPULÉE CORRECTEMENT PENDANT L'INSTALLATION. LA MÉTHODE D'EMPLOI DU CHARIOT ÉLÉVATEUR À FOURCHE DOIT ÊTRE SUIVIE.

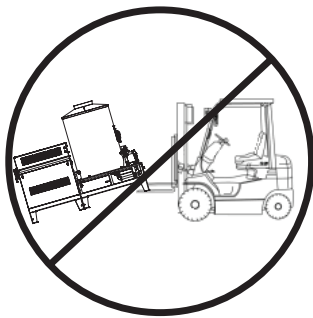


ILLUSTRATION #1  
FORK LIFT

### EMPLACEMENT ET POSITIONNEMENT DE L'APPAREIL:

1. Cet appareil doit être installé en intérieur par un technicien qualifié, dans un lieu sec protégé du gel, et abrité des vents violents et de la pluie. Si une quelconque partie de l'appareil vient à geler, une pression excessive peut être engendrée à l'intérieur de l'appareil, provoquant son éclatement et risquant de blesser gravement l'opérateur et le personnel avoisinant. Prendre les mesures habituelles pour protéger d'une humidité excessive les commandes électriques de l'unité d'alimentation.
2. L'appareil doit être placé à bonne distance de tout matériau inflammable ou combustible. Ces types de matériaux doivent être au moins à 6 mètres des appareils fonctionnant au gaz.
3. Éviter les locaux exigus et les ventilateurs d'évacuation. La combustion devient difficile, favorisant la création d'oxyde de carbone dans ces locaux. Ménager un espace suffisant pour le dépannage. Certains codes exigent un dégagement suffisant vis à vis des murs et du sol. Un espace de 60 cm entre l'appareil et les murs devrait suffire.
4. L'appareil doit absolument être placé sur une surface de niveau pour garantir une lubrification adéquate de la pompe à eau durant la marche. NE JAMAIS pulvériser de l'eau directement sur l'appareil.
5. **NE PAS** placer l'appareil à un endroit :
  - a. où des vapeurs inflammables risquent d'être présentes
  - b. où la ventilation est insuffisante
  - c. où des fuites d'huiles ou de carburant sont évidentes

### MÉTHODE D'EMPLOI DU CHARIOT ÉLÉVATEUR À FOURCHE

Ces machines sont montées sur une palette lors du transport. Afin d'éviter tous dommages lors du retrait de la palette et lors de la mise en place de la machine, déplacer avec beaucoup de précautions.

1. Méthode privilégiée: Soulever par l'avant de la machine.  
Une fourche doit être placée sous le coté moteur/pompe. L'autre doit être placée sous le coté bobine.

*Note : Il sera peut être nécessaire de soulever cette machine par l'une ou l'autre de ses extrémités afin de l'insérer et de l'orienter correctement dans des espaces étroits. Des rallonges de fourche doivent être utilisées si nécessaire.*

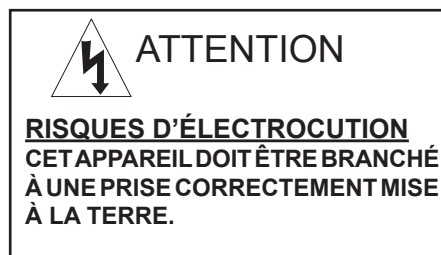
2. Soulever par l'une ou l'autre des extrémités de la machine.  
S'assurer que les fourches dépassent les supports centraux de levage de la machine avant de la soulever. Attention à ne pas soulever plus que la hauteur requise pour la mise en place.



## INSTALLATION

### ALIMENTATION ÉLECTRIQUE:

1. L'installation de l'appareil doit être effectuée par un technicien qualifié et l'installation électrique doit satisfaire aux codes locaux, provinciaux et nationaux en vigueur, y compris (États-Unis) le code national électrique (NEC), NFPA N° 70.
2. À la livraison de l'appareil, ses fils de raccordements se trouvent dans une boîte de raccordement à l'intérieur du caisson. C'est là que doit se raccorder l'alimentation électrique de l'utilisateur.
3. S'assurer que l'alimentation électrique correspond bien aux spécifications indiquées sur la plaque signalétique du laveur.
4. S'assurer que toutes les connexions sont bien serrées et que tous les couvercles sont remis en place.



### CONDUITE D'ALIMENTATION EN GAZ:

1. L'installation de cet appareil doit être effectuée par un technicien qualifié et toutes les tuyauteries de gaz doivent satisfaire aux codes locaux, provinciaux et nationaux en vigueur, y compris (États-Unis) le code national des carburants gazeux ANSI Z223.1 / NFPA N° 54. Au Canada; Se référer au code d'installation de gaz CSA B149.1).
2. Couper le gaz et l'alimentation électrique avant de commencer l'installation ou le dépannage.
3. En raison de la consommation du brûleur, la tuyauterie de gaz alimentant le brûleur doit être une tuyauterie distincte reliée directement au compteur de gaz. Employer des tuyaux neufs. Installer la tuyauterie de manière à faciliter tout dépannage ultérieur. N'utiliser que de tubes ou tuyaux en fonte noire compatibles avec le gaz et s'assurer que le tuyau ne présente aucune ébarbure de coupe et autres défauts. N'appliquer du mastic à joint (pas de ruban de Téflon) que sur les raccords mâles en veillant à ne pas recouvrir les deux premiers filets d'engagement. NE PAS appliquer de mastic sur les taraudages femelles, car il risque d'être forcé à l'intérieur de la conduite et de provoquer une défaillance de la vanne.

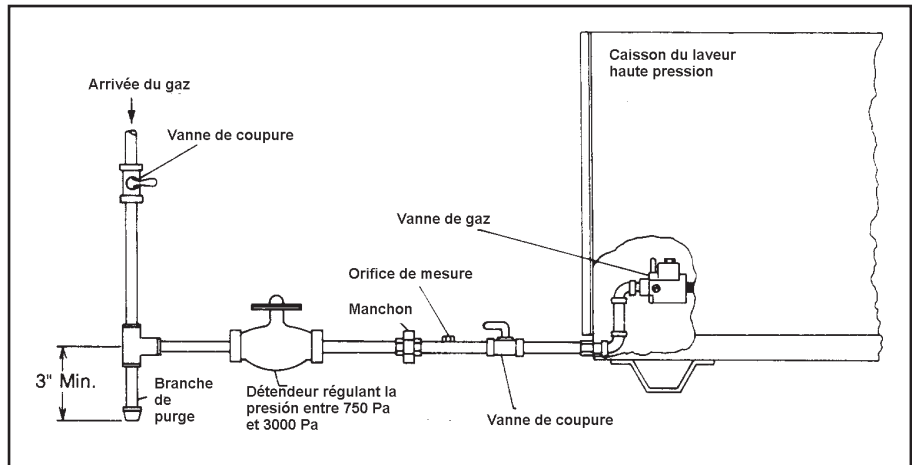
### TAILLES DE TUYAU RECOMMANDÉES POUR L'ALIMENTATION EN GAZ

GAZ NATUREL		GAZ LIQUIDE	
DISTANCE ENTRE DEUR ET APPAREIL	DIAMETRE DU TUYAU	DISTANCE ENTRE DÉTENDEUR ET RÉGULATEUR	DIAMETRE DU TUYAU
0 - 50 Pieds / 0-15 Mètres	1-1/2" 1PS	0 - 50 Pieds / 0-15 Mètres	1" 1PS
50 - 100 Pieds / 15 - 30 M	2" 1PS	50 - 100 Pieds / 15 - 30 M	1-1/2" 1PS
100 - 200 Pieds / 30 - 60 M	2-1/2" 1PS	100 - 200 Pieds / 30 - 60 M	1-3/4" 1PS

(Se référer au schéma 2 pour la suite:)

4. Sur la conduite de gaz entre le compteur ou détendeur et l'appareil, installer une vanne de coupure générale de l'alimentation.
5. En aval de la vanne de coupure, installer un té avec une branche de purge où les débris et la condensation éventuelle pourront s'accumuler. Cette branche doit être obturée par un capuchon.
6. En sortie du té, installer un tuyau de 4 pouces et un détendeur. Ce dernier doit abaisser et réguler la pression du gaz entre 750 Pa et 3000 Pa.
7. Installer un second tuyau de 4 pouces terminé par un manchon de raccordement en aval du détendeur.
8. Après le manchon et avant la vanne de gaz de l'appareil, installer une autre vanne. Entre celle-ci et la manchon, prévoir un orifice fileté, fermé par un bouchon pour le raccordement éventuel d'un manomètre de vérification.

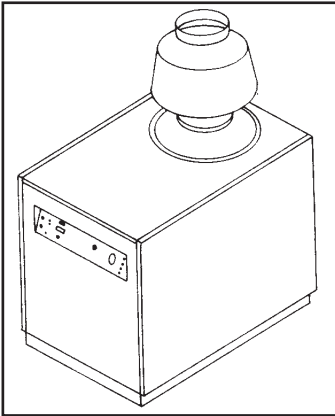
## **SCHÉMA N°2 TUYAUTERIE D'ALIMENTATION EN GAZ**



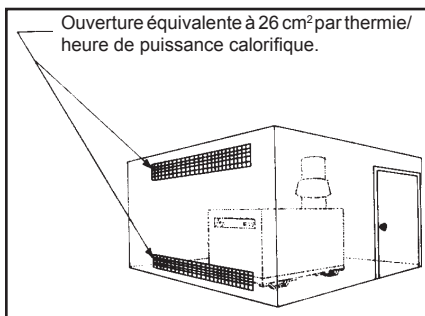
### **INSTALLATION**

#### **VENTILATION:**

#### **SCHÉMA N° 3 DÉFLECTEUR DE TIRAGE**



#### **SCHÉMA N° 4 VENTILATION DE LOCAUX FERMÉS**



1. L'installation de cet appareil en intérieur ou dans un local clos doit être effectuée par un technicien qualifié et la ventilation du local doit se conformer à tous les codes locaux, provinciaux et nationaux. (Parmi les normes à respecter, le « National Fuel Gas Code » code national des combustibles gazeux ANSI Z223.1/NFPA N° 54. Au Canada; Se référer au code d'installation de gaz CSA B149.1). Le conduit d'évacuation du brûleur doit sortir à l'atmosphère et un déflecteur de tirage doit également être installé.

**REMARQUE :** ne pas dépasser 0,25 thermie par cm<sup>2</sup> de conduit d'évacuation.

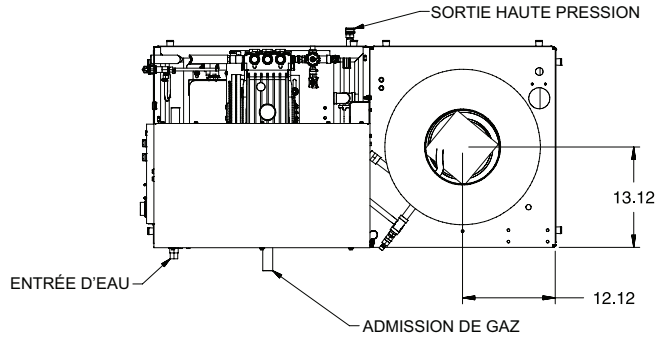
2. Un déflecteur de tirage doit également être installé au-dessus de la sortie d'évacuation de l'appareil. Ce déflecteur élimine l'effet de cheminée et favorise le tirage à travers le brûleur, améliorant ainsi la combustion. Il contribue également à éviter que l'échangeur de chaleur ne soit gelé en cas de vent glacial. (Voir le schéma n° 3).
3. Installer le conformer à tous les codes locaux, provinciaux et nationaux. (Parmi les normes à respecter, le « National Fuel Gas Code » code national des combustibles gazeux ANSI Z223.1/NFPA N° 54. Au Canada; Se référer au code d'installation de gaz CSA B149.1). Si la longueur de ce conduit dépasse 3 mètres, ou si plus de deux coudes sont présents, le tirage naturel ne se fera plus et le brûleur ne s'allumera pas. > Dans tels cas, un extracteur d'air homologué\* doit être utilisé afin de retirer les gaz d'échappement du bâtiment. Les gaz d'échappement peuvent être évacués par des sorties de toit ainsi que par des systèmes de ventilation horizontaux sur les murs. Ne pas installer un registre de conduit portable.\*L'extracteur d'air doit respecter toutes les normes locales et doit être installé par un technicien qualifié selon le manuel de l'opérateur et tous les codes en vigueur.
4. Si l'appareil est installé dans un local clos, assurer une quantité d'air suffisante pour la combustion en ménageant des ouvertures près du plafond pour l'aération du local et près du sol pour la combustion. Ces ouvertures doivent être dimensionnées de manière à offrir au moins 26 cm<sup>2</sup> par thermie/heure de puissance calorifique.

*Exemple : un laveur haute pression ayant une puissance de chauffe de 100 thermies/heure exige au moins 2600 cm<sup>2</sup> d'ouverture, soit une ouverture d'environ 30 cm par 90 cm. (Voir le schéma n° 4).*

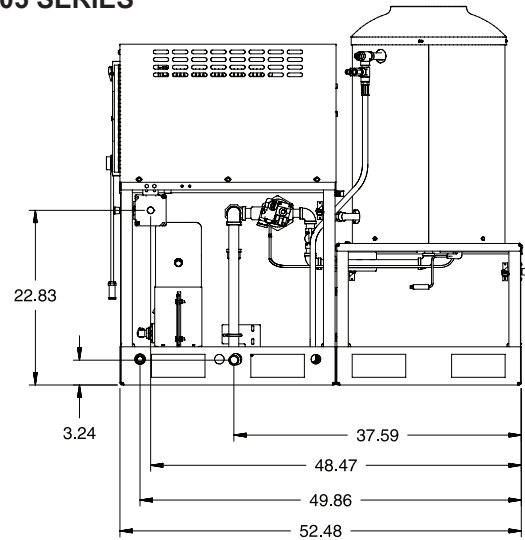
5. Si le bâtiment dans lequel l'appareil est installé semble être spécialement hermétique, il est recommandé d'utiliser des prises d'air communiquant avec l'extérieur du bâtiment pour fournir directement l'air de combustion nécessaire. L'orifice à l'extrémité de ces prises d'air doit être orienté vers le bas afin de les protéger de la pluie et de la neige. Couvrir l'ouverture d'un grillage métallique dont la maille est au moins de 6 mm.

## SCHÉMA N° 5 BRANCHEMENTS ENTRANTS

### HEG-1805, 2004, 3004, 3005 SERIES

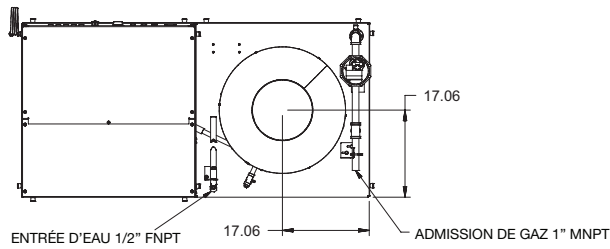


VUE DE DESSUS

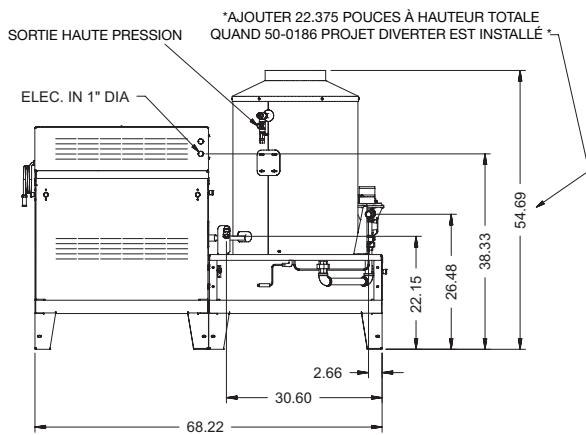


VUE ARRIÈRE

### HEG-3008 SERIES

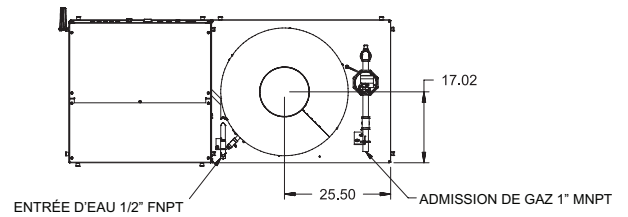


VUE DE DESSUS

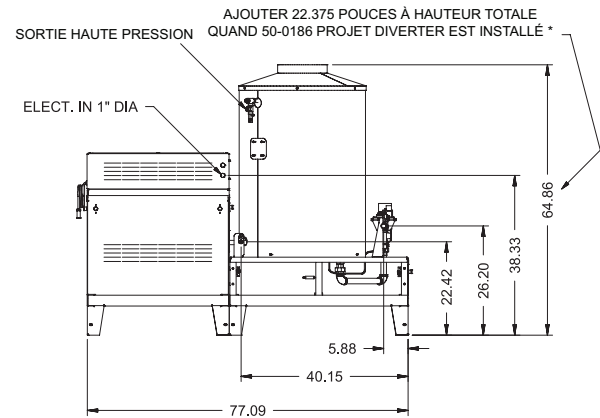


VUE ARRIÈRE

### HEG-2010 SERIES



VUE DE DESSUS



VUE ARRIÈRE

## INSTALLATION

### ALIMENTATION EN EAU:

1. Comme boyau d'alimentation en eau, choisir un tuyau d'arrosage de bonne qualité ayant un diamètre intérieur d'au moins  $\frac{1}{2}$  pouce (19 mm) et ne dépassant pas 15 mètres de longueur (voir le schéma n° 6).
2. Raccorder un extrémité de ce boyau à l'entrée d'eau de l'appareil. Raccorder l'autre extrémité à l'eau de la ville.

**REMARQUE :** si l'eau utilisée contient une forte quantité de sels minéraux, il est recommandé d'installer un adoucisseur d'eau pour éviter un excès de dépôts calcaires à l'intérieur du serpentin de l'échangeur de chaleur.

3. S'assurer que tous les raccords sont bien serrés.
  - a. Boyau d'alimentation à l'entrée d'eau de l'appareil.
  - b. Boyau d'alimentation à l'eau de la ville.
4. L'alimentation en eau doit répondre aux exigences suivantes :
  - a. La pression d'eau doit se situer entre 140 kPa (minimum) et 455 kPa (maximum).
  - b. Le débit d'arrivée doit être environ supérieur de 4 litres/mn au débit de sortie indiqué sur la plaque signalétique du laveur haute pression. (Il est possible d'évaluer le débit d'entrée en chronométrant la durée de remplissage d'un récipient de contenance connue, par exemple 25 litres).
  - c. La température de l'eau d'alimentation ne doit pas dépasser 52 °C. La pompe risque d'être endommagée si la température de l'eau dépasse cette valeur.

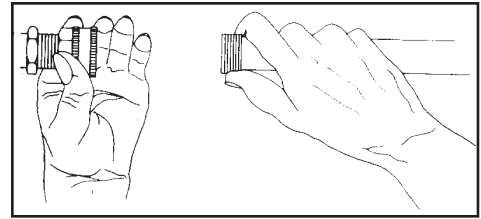
**REMARQUE :** Si l'alimentation en eau est inadéquate ou si le tuyau est vrillé, l'appareil ne marchera pas correctement et le brûleur ne s'allumera pas.

5. Ne jamais laisser l'appareil fonctionner si le boyau d'arrivée d'eau n'est pas raccordé ou si l'alimentation en eau n'est pas ouverte à fond.

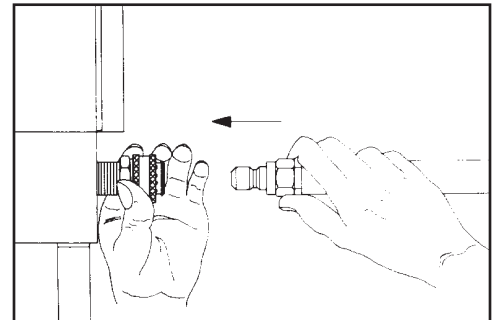
### RACCORDEMENT HAUTE PRESSION:

Raccorder le boyau haute pression en le branchant d'un côté au laveur haute pression et de l'autre côté au pistolet. Vérifier que les raccords rapides sont bien verrouillés (voir les schémas n° 7 et n° 8).

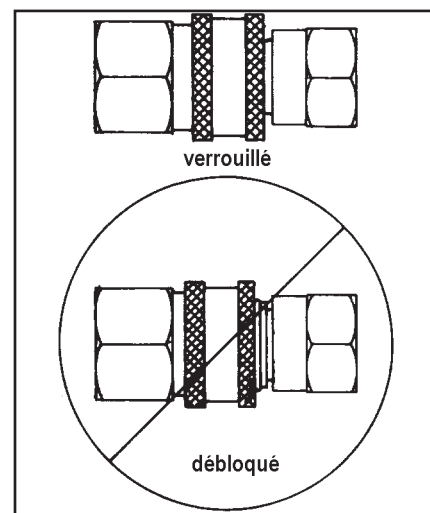
**SCHÉMA N° 6**  
**RACCORDEMENT DU BOYAU**



**SCHÉMA N° 7**  
**RACCORDEMENT DU BOYAU**  
**HAUTE PRESSION**

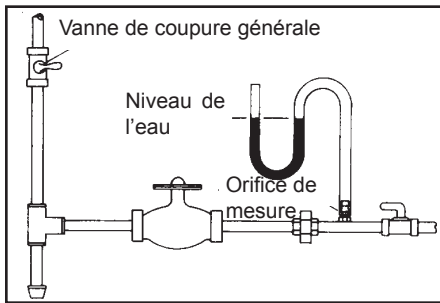


**SCHÉMA N° 8**  
**RACCORD RAPIDE**

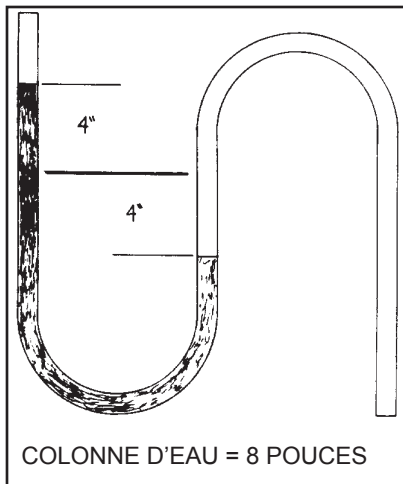


## INSTALLATION

### SCHÉMA N° 9 FABRICATION D'UN MANOMÈTRE

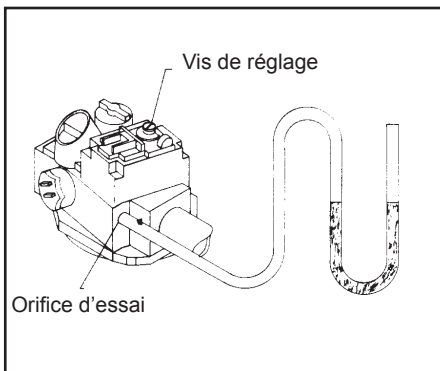


### SCHÉMA N° 10 MESURE DE LA COLONNE D'EAU

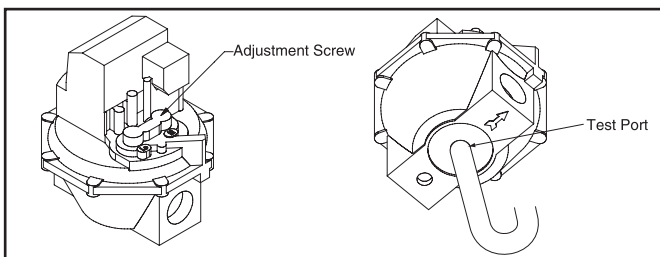


COLONNE D'EAU = 8 POUCES

### SCHÉMA N° 11 RÉGLAGE DU DÉTENDEUR DE GAZ



### SCHÉMA N° 12 HONEYWELL PARTS



### INSPECTION ET VÉRIFICATIONS:

1. S'assurer que le bâtiment n'est pas structurellement affaibli par l'installation de cet appareil et que la tuyauterie est solidement en place.
2. Vérifier la pression du gaz et s'assurer de l'absence de fuite.
  - a. S'assurer que tous les raccordements de gaz ont été faits et refermer la vanne de gaz située en amont de la vanne intégrée au laveur.
  - b. Immédiatement après l'ouverture de la vanne principale, appliquer de l'eau savonneuse sur toute la tuyauterie et tous les raccords afin de s'assurer qu'il n'y a pas de fuite de gaz. Les tuyaux et les raccords défectueux doivent être remplacés sur le champ.
  - c. Après s'être assuré qu'il n'y a aucune fuite au niveau du compteur et dans la tuyauterie, purger le système de l'air qu'il contient en retirant le bouchon de l'orifice d'essai et en évacuant le gaz dans un endroit bien aéré pour limiter les risques d'incendie.
  - d. Si un manomètre du commerce n'est pas disponible, en fabriquer un à l'aide d'un tube transparent à moitié rempli d'eau et replié en forme de U (voir le schéma n°9). La vanne principale étant fermée, visser un raccord de boyau dans l'orifice d'essai, y brancher le tube et marquer le niveau de l'eau.
  - e. Ouvrir la vanne principale. Observer le déplacement de l'eau dans le tube et mesurer la distance séparant le niveau supérieur du niveau " inférieur. Cette distance ne doit pas dépasser 36 cm (voir le schéma n° 10). Démarrer l'appareil et vérifier de nouveau la pression lorsque le brûleur est en marche. La pression du gaz doit être alors entre 10 et 18 cm (gaz naturel) ou entre 20 et 30 cm (propane liquide).
  - f. Refermer la vanne principale, retirer le raccord de l'orifice d'essai et remplacer le bouchon.
  - g. À l'aide d'une clé hexagonale de 3/16 pouce, retirer le bouchon obturant l'orifice d'essai de la vanne de gaz intégrée au laveur haute pression (voir le schéma n° 10) pour y brancher votre manomètre ou tube de mesure.
  - h. Ouvrir la vanne de coupure du gaz et la vanne du détendeur. Démarrer l'appareil pour allumer le brûleur et vérifier alors la pression au sein du distributeur. Celle-ci doit être entre 9 et 10 cm de colonne d'eau (gaz naturel) ou entre 22 et 24 cm (propane liquide).
  - i. Arrêter l'appareil et fermer la vanne de coupure du gaz, retirer le manomètre ou le tube de mesure et réinstaller le bouchon.
3. IL EST HABITUELLEMENT SUPERFLU d'ajuster le réglage du détendeur de la vanne de gaz, ce dernier étant préréglé en usine ; toutefois, si cela est nécessaire, suivre les instructions ci-dessous :
  - a. à l'aide d'une clé hexagonale de 3/16 pouce, retirer le bouchon obturant l'orifice d'essai de la vanne de gaz intégrée au laveur haute pression (voir le schéma n°11 voir le schéma n°11 pour la valve Robert Shaw et le schéma #12 pour la valve Honeywell) pour y brancher votre manomètre ou tube de mesure.
  - b. Le brûleur étant allumé, ajuster la pression du gaz à l'aide d'un tournevis (en tournant dans le sens horaire pour l'augmenter, dans le sens opposé pour la diminuer).
  - c. Ceci terminé, arrêter l'appareil et fermer la vanne de coupure du gaz, remplacer le capuchon de réglage retirer le manomètre ou le tube de mesure et réinstaller le bouchon.

# INSTALLATION

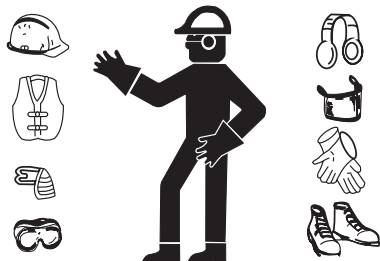
## LISTE DE VERIFICATIONS AVANT LA MISE EN MARCHE:

Avant la mise en marche de l'appareil, répondre aux questions de la liste ci-dessous :

### QUESTIONS

<b>CODES :</b>	<b>OUI</b>	<b>NON</b>
1. L'alimentation électrique est-elle conforme aux codes en vigueur ?	___	___
2. L'alimentation en gaz est-elle conforme aux codes en vigueur ?	___	___
3. Le système de ventilation est-il conforme aux codes en vigueur ?	___	___
<b>EMPLACEMENT :</b>		
1. L'appareil est-il installé en intérieur sur un sol incombustible dans un endroit sec protégé de la pluie, de l'humidité et des vents excessifs ?	___	___
2. L'appareil est-il situé à l'écart de matériaux inflammables ou combustibles ?	___	___
3. L'appareil est-il installé dans un local ayant un volume suffisant pour assurer une aération correcte ?	___	___
<b>CIRCUIT ÉLECTRIQUE :</b>		
1. L'appareil est-il correctement mis à la terre ?	___	___
2. Tous les composants électriques satisfont-ils aux exigences stipulées sur la plaque signalétique de l'appareil (schéma n° 32) et la tension d'alimentation est-elle correcte ?	___	___
<b>ALIMENTATION EN GAZ :</b>		
1. L'appareil est-il alimenté en gaz correct (gaz naturel ou propane liquide) ?	___	___
2. L'alimentation en gaz répond-elle aux exigences de la puissance calorifique nominale (thermies) du brûleur ?	___	___
3. Un détendeur correct a-t-il été installé, fournissant la pression et le débit de gaz exigés par l'appareil ?	___	___
4. La tuyauterie de gaz a-t-elle la taille correcte et a-t-on vérifié qu'aucun raccord ne fuit ?	___	___
5. La vanne de gaz est-elle ouverte à fond ?	___	___
6. La pression d'alimentation en gaz est-elle de 7,5 - 18 cm (gaz naturel) ou de 20 - 30 cm (propane liquide) ?	___	___
7. Les réservoirs de propane (le cas échéant) ont-ils une contenance suffisante pour ne pas geler, étant donnée la puissance de l'appareil ?	___	___
<b>VENTILATION :</b>		
1. Utilise-t-on un conduit d'évacuation et un capot de tirage de la taille correcte ?	___	___
2. La ventilation est-elle suffisante pour assurer la combustion ?	___	___
3. L'appareil est-il suffisamment ventilé pour assurer un écoulement d'air adéquat ?	___	___
4. Le conduit d'évacuation débouche-t-il à l'atmosphère ?	___	___
<b>INSTRUCTIONS GENERALES :</b>		
1. Tous les opérateurs de cet appareils ont-ils lu le manuel d'installation et d'utilisation et bien compris les avertissement touchant à la sécurité ?	___	___
2. L'appareil a-t-il été installé par un personnel qualifié conformément aux instructions du manuel d'installation et d'utilisation ?	___	___
3. L'alimentation en eau est-elle suffisamment abondante ?	___	___

**SI LA REPONSE A UNE QUELCONQUE DE CES QUESTIONS EST NON, REMEDIER A LA SITUATION AVANT DE METTRE L'APPAREIL EN MARCHE.**



## PREPARATION

### TENUE DE TRAVAIL:

Pour des raisons de sécurité, une tenue appropriée est essentielle. Il est recommandé d'utiliser tous les moyens disponibles pour se protéger les yeux, les oreilles et la peau. Des équipements protecteurs additionnels (tels un respirateur) peuvent être requis lorsque des détergents de nettoyage sont utilisés avec ce laveur haute pression.



## DANGER

### RISQUES D'EXPLOSION OU D'INCENDIE !

**AVANT DE DEMARRER L'APPAREIL, S'ASSURER QUE L'ON NE DECELE AUCUNE ODEUR DE GAZ. TOUJOURS RENIFLER AUX ALENTOURS DE L'APPAREIL. VEILLEZ ÉGALEMENT À RENIFLER À PROXIMITÉ DU SOL, CERTAINS GAZ ÉTANT PLUS LOURD QUE L'AIR ET AYANT TENDANCE À SE CONCENTRER PRÈS DU SOL.**

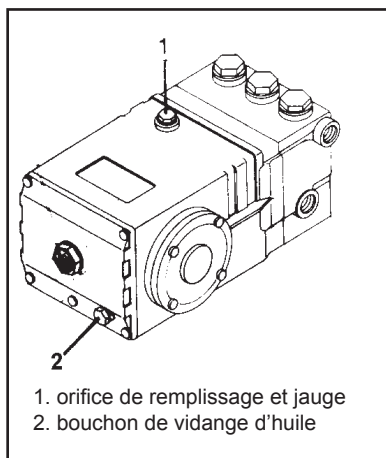
### SI L'ON SENT LE GAZ

- NE PAS DÉMARRER L'APPAREIL.
- N'ACTIVER AUCUN INTERRUPTEUR ÉLECTRIQUE.
- N'ALLUMER AUCUN APPAREIL.
- N'UTILISER AUCUN TÉLÉPHONE DANS LE LOCAL SUSPECT.
- QUITTER LE LOCAL ET UTILISER LE TÉLÉPHONE D'UN AUTRE LOCAL POUR APPELER LA COMPAGNIE DU GAZ.
- SUIVRE LES INSTRUCTIONS FOURNIES PAR LA COMPAGNIE DU GAZ.
- S'IL EST IMPOSSIBLE DE JOINDRE LA COMPAGNIE DU GAZ, APPELER LES POMPIERS.

### AVANT LA MISE EN MARCHÉ:

1. Avant d'allumer l'appareil, renifler aux alentours de l'appareil pour détecter une présence éventuelle de gaz, tout spécialement au niveau du sol car certains gaz sont plus lourds que l'air et ont tendance à s'accumuler près du sol. Ne pas utiliser l'appareil si l'on décèle une odeur de gaz. Quitter le local et appeler un réparateur qualifié.
2. Vérifier que le voyant de mise sous tension.
3. Le niveau d'huile dans la pompe doit être vérifié avant chaque utilisation. Vérifier le niveau d'huile en retirant la jauge d'huile à la partie supérieure du carter. Le niveau correct correspond à l'encoche située sur la jauge (voir l'illustration n° 12). Si le niveau paraît bas, utiliser de l'huile pour pompe SAE10W-30. Remettre le(s) panneau(x) en place.

### SCHÉMA N° 12 JAUGE ARRIÈRE DE LA POMPE



### DÉCHARGEUR:

Le déchargeur étant pré réglé en usine, tout ajustement ne doit être effectué que par un réparateur qualifié.



## PREPARATION

### BUSES À MONTAGE RAPIDE :

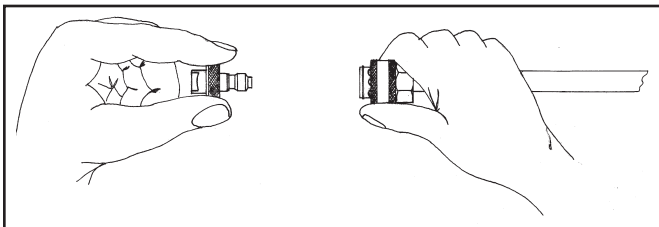
Divers types de buses peuvent se monter rapidement à l'extrémité de la double lance à pression réglable afin de modifier le profil de pulvérisation ou d'ajouter un détergent. Lors de l'utilisation des raccords rapides (RR), s'assurer que le raccordement est solidement enclenché (voir le schéma 13). En cas contraire, l'eau fortement pressurisée risque de projeter violemment la buse de la lance, causant des blessures graves et des dégâts sérieux. Pour déterminer le profil de pulvérisation (voir le schéma n° 14), se reporter au numéro gravé sur la buse. Les deux premiers chiffres indiquent l'angle de dispersion en degrés, par exemple 00 = 0°, 15 = 15°, 25 = 25°, 40 = 40°.

- 1. La buse 0° (ROUGE):** une buse décapante. Elle fournit un jet d'eau très concentré. Faire très attention lorsque ce jet très étroit est utilisé. Il est déconseillé sur les surfaces peintes ou en bois ou sur les objets attachés par un dos adhésif. Utilisations : destruction des herbes dans les fissures des trottoirs, enlèvement des taches récalcitrantes sur le béton, la maçonnerie, l'aluminium et l'acier, des boues desséchées adhérant au matériel et nettoyage du dessous des tondeuses à gazon.
- 2. La buse 15° (JAUNE):** une buse de raclage. La pulvérisation doit être inclinée à 45° par rapport à la surface. Elle agit alors comme un grattoir pour l'enlèvement de la peinture, de la graisse et des saletés. Utilisations : apprêt des surfaces (élimination des taches de moisissure et des écailles de peintures), nettoyage des chéneaux et des tuyaux de descente.
- 3. La buse 25° (VERTE):**
  - a. une buse de curage. Son profil de pulvérisation est idéal pour éliminer la poussière, la boue et autre saletés. Utilisations : nettoyage des feuilles mortes sur les trottoirs et les allées, nettoyage du sol des étables, du fond des piscines, dégraissage des moteurs.
  - b. Sur les appareils avec option vapeur, cette buse est utilisée pour fonctionnement vapeur humide à 250°F (121°C). Cette buse est de taille pour fonctionnement avec le déchargeur et la soupape de vapeur (quand applicable) pour fournir une vapeur haute pression humide. Le remplacement de cette buse avec une buse de la mauvaise taille pourrait être la cause de problèmes de fonctionnement de l'appareil.
- 4. La buse 40° (BLANCHE):** une buse de lavage. L'angle très large, qui disperse l'eau sur une très grande surface, est recommandé pour les lavages modérés. Utilisations : lavage des revêtements de maisons en aluminium, des fenêtres, des automobiles, des trottoirs et des patios.

### RACCORDEMENT DES BUSES:

1. S'assurer que le pistolet est bien verrouillé (position « OFF » - voir le schéma n° 15).
2. Détacher alors le raccord rapide de la double lance à pression réglable. Comme le montre le schéma n° 16, rétracter la bague de blocage du raccord rapide pour retirer la buse.

**SCHÉMA N° 16  
RACCORDEMENT DES BUSES**

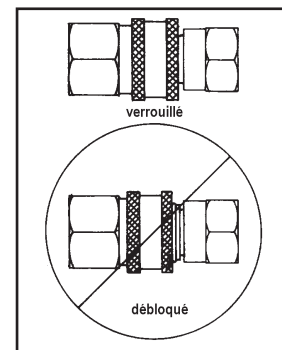


### **RISQUES D'INJECTION PROVOQUANT DES BLESSURES GRAVES**

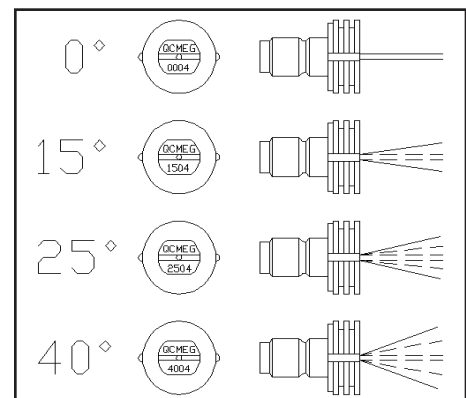
**Le pistolet doit toujours être verrouillé en position d'arrêt lorsqu'il est inutilisé.**

**Ne jamais regarder directement dans l'axe de la buse sauf si elle détachée du pistolet ou de la double lance.**

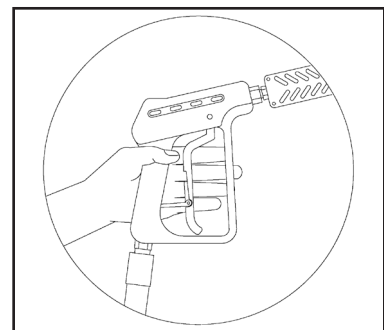
**SCHÉMA N° 13  
RACCORD RAPIDE**



**SCHÉMA N° 14  
BUSES À MONTAGE RAPIDE**



**SCHÉMA N° 15  
VERROUILLAGE DU PISTOLET**

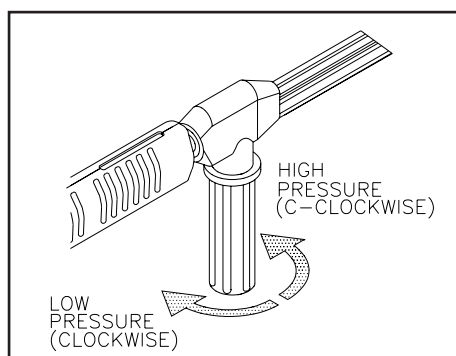


## PREPARATION

### DOUBLE LANCE À PRESSION REGLABLE:

1. Cet appareil comporte une double lance à pression réglable qui permet à l'utilisateur de choisir une dispersion en éventail à haute ou à basse pression. Il suffit de tourner la poignée ajustable de la double lance pour obtenir la pression désirée.
  - a. La haute pression s'obtient en tournant la poignée de la double lance dans le **sens antihoraire**, comme le montre le schéma n° 17.
  - b. La basse pression s'obtient en tournant la poignée de la double lance dans le **sens horaire**, comme le montre le schéma n° 17. Si l'on emploie l'injecteur de détergent, cet injecteur va introduire du détergent dans le système dès que la pression est suffisamment basse. Le mélange eau/détergent sort à la fois par la buse de pulvérisation et par la buse de détergent.

**SCHÉMA N° 17**  
**LANCE DOUBLE**



### INSPECTION DE SECURITE AVANT LA MISE EN MARCHE:

1. Avant de mettre l'appareil en marche, effectuer les opérations suivantes :
  - a. Renifler autour de l'appareil pour détecter une odeur de gaz éventuelle. Si l'on sent le gaz, **NE PAS DÉMARRER L'APPAREIL !** Se reporter aux avertissements en page 36 « Risques d'incendie ou d'explosion »
  - b. Vérifier le serrage de tous les raccords des tuyaux.
  - c. Vérifier qu'il n'y a pas de fuites d'eau ou d'huile.
  - d. S'assurer que les boyaux haute pression ne sont pas vrillés ou coupés et qu'ils ne fuient pas. Si l'on détecte une fuite ou une entaille, **NE PAS UTILISER LE BOYAU !** Le remplacer avant de démarrer l'appareil. Se reporter aux avertissement en page 39 « Risques d'injection ». Veiller à remplacer toutes les pièces endommagées et à corriger tout problème mécanique avant de démarrer l'appareil. Si un dépannage est nécessaire, appeler le service clients.

# **ATTENTION**

**LES PAGES SUIVANTES CONTIENNENT LES INSTRUCTIONS D'UTILISATION ET D'ENTRETIEN.**

**NE PAS UTILISER CE LAVEUR HAUTE PRESSION TANT QUE L'ON A PAS LU ET BIEN COMPRIS TOUTES LES PRÉCAUTIONS ET CONSIGNES DE SÉCURITÉ CONTENUES DANS CE MANUEL. SUIVRE LES INSTRUCTIONS D'ENTRETIEN SPÉCIFIÉES DANS CE MANUEL.**

**UNE UTILISATION INCORRECTE DE CET APPAREIL RISQUE DE PROVOQUER DE GRAVES BLESSURES!!**

**NE MODIFIER CET APPAREIL EN AUCUNE FAÇON!**

## INSTRUCTIONS D'UTILISATION

Une fois que l'appareil a été installé par un technicien qualifié et que l'on a effectué toutes les vérifications de LA LISTE DE VÉRIFICATIONS AVANT LA MISE EN MARCHÉ à la page 49, l'appareil est prêt à l'emploi. Les diverses opérations ci-dessous contribueront à assurer une exploitation sans danger de l'appareil.



### **MISE EN GARDE**

**RISQUES DE DÉGÂTS À L'APPAREIL! S'ASSURER QUE LE PISTOLET ET LA DOUBLE LANCE NE SONT PAS RACCORDÉS À L'APPAREIL DURANT LE RINÇAGE DU SYSTÈME. LE RINÇAGE PERMET D'ÉLIMINER DU SYSTÈME TOUTS LES DÉPÔTS MINÉRAUX QUI RISQUENT D'OBSTRUER OU D'ENDOMMAGER LE PISTOLET ET LA BUSE ET D'ENTRAÎNER DES RÉPARATIONS CÔUTEUSES.**

### **RINÇAGE DU SYSTÈME:**

1. Cet appareil comportant un serpentin d'acier, l'eau stagnant dans le serpentin après utilisation va à longue devenir marron ou noire. Cette eau doit être évacuée du système avant sa remise en marche. Cette opération doit se faire alors que le pistolet et la double lance à pression réglable **sont démontés**.
  - a. Vérifier que l'eau arrive bien à l'appareil.
  - b. Mettre l'interrupteur de la pompe en position "ON" (marche) pour démarrer la pompe.
  - c. Faire marcher l'appareil pendant 3 à 5 minutes.
  - d. Arrêter l'appareil.
  - e. Lorsque le rinçage du système est terminé, brancher le pistolet et la double lance à pression réglable au boyau haute pression.



### **DANGER**

**RISQUES D'INJECTION SUSCEPTIBLE DE PROVOQUER DES GRAVES BLESSURES ! SE TENIR À DISTANCE DE LA BUSE ! NE JAMAIS PLACER LA MAIN OU LES DOIGTS DEVANT LA BUSE ! NE PAS POINTER LE PISTOLET EN DIRECTION DE PERSONNES OU D'ANIMAUX!**

### **UTILISATION AVEC EAU FROIDE:**

1. Se reporter aux « Avertissements concernant la sécurité », aux pages 36-41 avant de démarrer l'appareil.
2. Repérer les autocollants de sécurité sur l'appareil et respecter leurs consignes.
3. S'assurer que l'interrupteur du brûleur est en position « OFF » (arrêt).
4. En pointant le pistolet dans une direction n'offrant aucun danger, déverrouiller le pistolet et appuyer sur sa gâchette. L'opérateur doit assurer sa position en prévision d'un recul possible du pistolet lorsque la pompe démarre.
5. Mettre l'interrupteur de la pompe en position "ON" (marche) pour démarrer la pompe.
6. Dès que l'appareil est en marche, faire les vérifications suivantes avec le pistolet ouvert:
  - a. S'assurer que le système ne présente aucune fuite d'eau ou d'huile.
  - b. S'assurer que les boyaux haute pression ne fuient pas. En cas de fuites, **NE PAS TOUCHER LE BOYAU A L'ENDROIT OÙ IL FUT !! ARRÊTER IMMÉDIATEMENT L'APPAREIL !** Remplacer le boyau avant de redémarrer l'appareil. Se reporter aux avertissements « Risque d'injection » à la page 39. Veiller à remplacer toutes les pièces endommagées et à corriger tous les problèmes mécaniques avant de remettre l'appareil en marche.
7. Arrivé à ce point, l'appareil fonctionne comme laveur haute pression à eau froide. Presser la gâchette du pistolet à plusieurs reprises et essayer d'ajuster la pression de l'eau en tournant la poignée de la lance double. **NE JAMAIS** placer la main ou les doigts devant la buse, ni regarder directement dans la buse ! L'eau fortement pressurisée risque de provoquer de graves blessures!
8. Ne jamais laisser l'appareil fonctionner en mode de dérivation (avec le déclenchement fermé) pendant plus de trois minutes sans déclencher le pistolet. Le non-respect de cette règle simple peut causer la défaillance prématurée des joints de pompe, ayant comme résultat une réparation coûteuse de la pompe.
9. Le laveur peut fournir une pulvérisation à haute pression sous divers profils en utilisant de l'eau froide. Si l'on souhaite utiliser de l'eau chaude ou bien nettoyer avec l'addition de détergents, se reporter à la page 55 qui indique la marche à suivre.



### **MISE EN GARDE**

**RISQUES DE DÉGÂTS NE PAS POINTER LE PISTOLET AU MÊME ENDROIT PENDANT UNE PÉRIODE PROLONGÉE. CELA RISQUE DE CAUSER DES DOMMAGES À L'ENDROIT EXPOSÉ.**

## INSTRUCTIONS D'UTILISATION

### UTILISATION AVEC EAU CHAUDE:

1. Suivre la procédure indiquée à la rubrique « Utilisation avec eau froide»
2. Déplacer l'interrupteur du brûleur en position « ON » (marche). Initialement, l'eau commencera à devenir chaude au bout de 60 secondes environ et elle atteindra sa température maximale en 3 minutes environ, sous réserve que l'on continue à appuyer sur la gâchette, vu que le brûleur s'éteint dès que l'on relâche la gâchette.
3. Régler le thermostat à la valeur souhaitée. (Voir le schéma n° 16).

Arrivé là, l'appareil fonctionne comme laveur haute pression à eau chaude. Faire preuve d'une extrême prudence durant les réglages de pression et durant la manipulation de l'ensemble pistolet/lance double afin d'éviter des brûlures.

**REMARQUE :** *pour des raisons de sécurité, le brûleur incorpore un dispositif de coupure automatique. Si la veilleuse ne parvient pas à s'allumer en 60 secondes, la vanne de gaz se ferme. Il suffit de relâcher la gâchette pendant 60 secondes et de recommencer. Durant la marche, le brûleur pourra s'éteindre et se rallumer en fonction du réglage du thermostat.*

### NETTOYAGE AVEC ADDITION DE DÉTERGENTS:

Ce type de nettoyage est limité à des détergents doux. La solution devant circuler à travers le serpentin de l'échangeur de chaleur, ne pas utiliser d'agents corrosifs car ils provoqueront des dommages substantiels sans mentionner les risques considérables en matière de sécurité.

1. Veiller à porter tous les équipements protecteurs indiqués à la page 50.
2. Préparer la solution de détergent conformément à l'étiquette du produit. (Ne jamais pomper de liquides acides, alcalins, abrasifs, ou des solvants à travers l'appareil).
3. Submerger complètement le filtre à l'extrémité du boyau de vinyle transparent pour détergent dans la solution de détergent.
4. Régler le dosage du détergent en tournant la molette à la valeur désirée.
5. Pour pulvériser la solution, déverrouiller le pistolet et appuyer sur la gâchette. Au bout de quelques instants, un mélange eau/détergent est éjecté de la buse. Commencer par pulvériser la solution au bas de la pièce à nettoyer, puis monter progressivement en faisant des passes qui se recouvrent. Le fait de commencer par le bas permet d'éviter la formation de traînées. Laisser le liquide pénétrer brièvement dans le matériau. Éviter les pulvérisations sur des surfaces chaudes ou directement exposées au soleil, car le détergent risque alors de sécher sur place et d'endommager la surface pulvérisée. Le nettoyage doit se faire pas petites sections.
6. Pour rincer, tourner la molette de dosage du détergent en position « OFF » (arrêt). Il faut 30 secondes environ pour purger complètement la tuyauterie de tout détergent. Pour un meilleur rinçage, commencer par le haut en descendant progressivement.

**REMARQUE:** *Si l'appareil est équipé de boîtier(s) distant(s), lire la page 55 pour information sur le détergent solénoïde.*

7. Siphonner 4 litres d'eau environ à travers le circuit de détergent après chaque utilisation. Ceci réduit le risque de corrosion due aux résidus de détergent, susceptible de provoquer des problèmes mécaniques lors de l'utilisation suivante.

**REMARQUE:** *La molette de dosage du détergent ou du détergent solénoïde doit être tournée en position « OFF » (arrêt) lorsque l'appareil est inutilisé ou lorsque le filtre n'est pas complètement submergé dans la solution. En cas contraire, la pompe va se désamorcer et la buse va cesser la pulvérisation. À la longue, cette situation risque d'endommager la pompe.*



### ATTENTION

#### RISQUES DE BRÛLURES !

L'EAU RISQUE DE DEVENIR BRÛLANTE LORSQU'ON UTILISE L'APPAREIL AVEC DE L'EAU CHAUFFÉE. ÊTRE TRÈS PRUDENT DURANT LES RÉGLAGES DE PRESSION ET DURANT LA MANIPULATION DE L'ENSEMBLE PISTOLET/LANCE DOUBLE.



### IMPORTANT

LORSQUE DE L'EAU FROIDE CIRCULE DANS L'ÉCHANGEUR DE CHALEUR ET QUE LE BRÛLEUR EST ALLUMÉ, DE LA CONDENSATION VA SE FORMER SUR LE SERPENTIN ET S'ÉGOUTTER. ON AURA L'IMPRESSION QUE LE SERPENTIN FUIT, SURTOUT SI LE TEMPS EST FROID ET HUMIDE.

## INSTRUCTIONS D'UTILISATION

### ARRÊT DE L'APPAREIL:

1. Si l'interrupteur du brûleur est toujours en position de marche, le mettre sur arrêt.
2. Presser sur la gâchette et éjecter de l'eau pendant 3 minutes afin de refroidir l'échangeur de chaleur et le boyau haute pression. (Une période de refroidissement trop courte du boyau haute pression va provoquer une usure excessive du boyau et à la longue son éclatement).
3. Mettre l'interrupteur de la pompe en position "OFF" pour arrêter la pompe. Si l'appareil a l'option arrêt différé, attendre que le minuteur s'arrête et mettre l'appareil à l'arrêt. Voir ci-dessous pour plus d'information sur l'arrêt différé.
4. Presser brièvement la gâchette afin d'éliminer la pression résiduelle dans le système.

---

### OPTIONS:

#### Boîtiers distant

L'option boîtier distant permet à l'appareil d'être contrôlé par jusqu'à quatre postes de travail. Les stations distantes sont câblées en parallèle pour permettre à l'opérateur d'avoir un contrôle complet de toute station à tout moment. Les détergents sont contrôlés par un solénoïde chimique ajouté à l'appareil principal et les interrupteurs de contrôle sur les boîtiers distants.

La longueur maximale pour le câblage distant est la suivante:

fil calibre 14- 200 pieds (60 M)  
fil calibre 16 - 100 pieds (30 M)

#### ARRET DIFFERE

L'option arrêt différé fournit un arrêt réglable automatique pour l'appareil principal. L'usine règle la durée de l'intervalle de l'arrêt différé à deux et demi minutes. Cette option outre-passe l'opération de l'interrupteur on/off (marche/arrêt) de la pompe pour le contrôle de l'arrêt du moteur de la pompe.

#### MARCHE/ARRET AUTOMATIQUE

L'option marche/arrêt automatique fournit un arrêt réglable automatique et un interrupteur de pression qui redémarre l'appareil automatiquement quand le pistolet est déclenché. L'usine règle la durée de l'intervalle de l'arrêt différé à deux et demi minutes. Cette option n'est pas disponible avec l'option boîtier distant ou l'option déchargeur activé par écoulement.

#### VAPEUR - 250°F (121°C)

L'option vapeur à 121°C fournit une production de vapeur humide de l'appareil. Une vapeur à 121°C est obtenue en réglant la soupape de vapeur sur le tableau de contrôle principal de l'appareil et en utilisant la buse à vapeur fournie avec l'appareil. La bonne taille de la buse à vapeur est essentielle au bon fonctionnement de cette option.



## ENTRETIEN

### ENTRETIEN PREVENTIF :

**FUITES:** Remédier sans délai à toute fuite dans le système de pompage en démontant les pièces suspectes, en appliquant un mastic d'étanchéité sur les filets et en réinstallant les pièces.

**REMARQUE :** Si l'on utilise un ruban de Téflon, veiller à ce qu'aucun morceau de ruban ne pénètre à l'intérieur du circuit car il risque de colmater la buse de pulvérisation.

**RACCORDS RAPIDES:** Ces raccords rapides contiennent un joint torique interne qui risque de se détériorer. Pour les remplacer, il suffit d'installer un nouveau joint, ce qui va éliminer les fuites. (Voir le schéma n° 16). Des joints toriques peuvent être achetés auprès de votre concessionnaire).

**BUSE:** Le passage de l'eau à travers la buse de pulvérisation va à la longue éroder l'orifice qui va s'élargir et provoquer une baisse de pression. Remplacer les buses dès que la pression tombe à moins de 85 % de la pression maximale. La fréquence de remplacement va dépendre de différents facteurs, tels la teneur de l'eau en sels minéraux et le nombre d'heure d'utilisation de la buse.

### POMPE:

1. Initialement, changer l'huile de la pompe au bout de 50 heures de fonctionnement. Après cette vidange initiale, il suffit de remplacer l'huile tous les 3 mois ou toutes les 250 heures. Si l'huile paraît sale ou laiteuse, des vidanges plus fréquentes peuvent être nécessaires.
2. Repérer le boyau de vidange de l'huile de la pompe.
3. Placer un récipient vide sous l'appareil pour récupérer l'huile usée puis retirer le bouchon de l'orifice de vidange (voir le schéma n° 17).
4. Attendre que l'huile soit complètement évacuée de la pompe et réinstaller le bouchon de vidange. Se débarrasser de l'huile usée conformément aux réglementations locales, provinciales ou nationales.
5. Remplir le carter de la pompe d'huile pour pompe SAE10W-30 jusqu'à l'encoche de la jauge. Ne pas trop remplir.

**TENSION DE LA COURROIE:** Arrêtez et débranchez l'appareil. Enlevez le panneau latéral ou soulevez le couvercle examinez la courroie trapézoïdale pour signes d'usure et de détente. Le cas échéant, remplacez ou serrez la courroie de la manière suivante, voir le schéma n° 18:

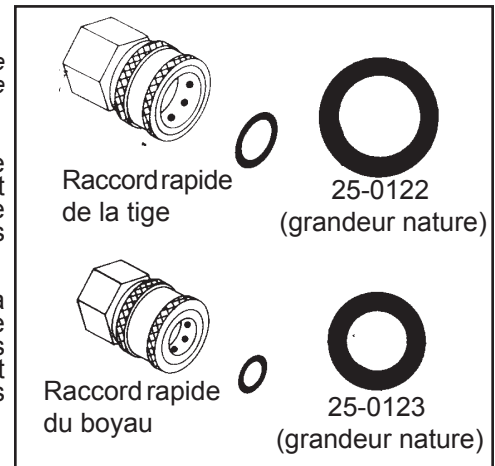
### REPLACEMENT:

1. Desserrez les quatre boulons de fixation (A).
2. Desserrez les deux écrous d'alignement d'environ un pouce par aux boulons d'alignement (B1 & B2).
3. Poussez la pompe vers le moteur pour détendre la courroie.
4. Remplacez la courroie.

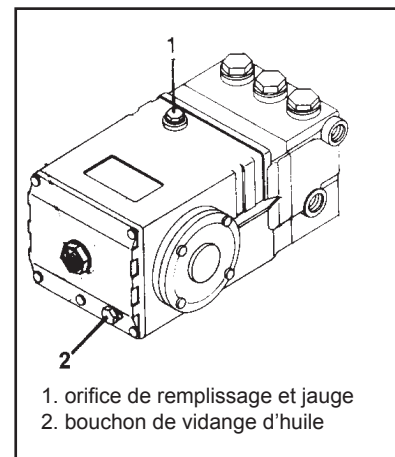
**SERRAGE:** (Si la courroie n'a pas été remplacée, il sera nécessaire de desserrer les boulons B1 et B2 avant de procéder.)

1. Serrez le boulon d'alignement B2. La pompe se déplacera vers la gauche et tendra la courroie. Ensuite, serrez l'écrou du boulon B2.
2. Serrez le boulon d'alignement B1 jusqu'à ce que les poulies s'alignent. (Servez-vous d'une règle pour vérifier l'alignement.)
3. Appuyez sur la courroie trapézoïdale pour vérifier sa tension. Il devrait y avoir entre 1/4 et 1/2 pouce de flexion lorsque la tension est correcte.
4. Lorsque les poulies sont alignées et que la tension est correcte, resserrez l'écrou B1 et les quatre boulons de fixation (A).
5. Si la tension n'est pas correcte, répétez les étapes 6 et 7 jusqu'à obtenir l'alignement et la tension nécessaires. Serrez les quatre boulons de fixation (A) en fin d'opération.
6. Desserrez l'écrou B2, serrez le boulon B2, serrez l'écrou B2.
7. Desserrez l'écrou B1, serrez le boulon B1, serrez l'écrou B1.

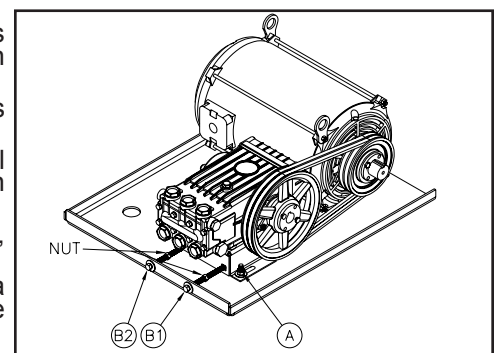
### SCHÉMA N° 16 RACCORDS RAPIDES



### SCHÉMA N° 17 VIDANGE DE LA POMPE À HUILE



### SCHÉMA N° 18 RÉGLAGE DE LA TENSION DE LA COURROIE





## ENTRETIEN

### DÉTARTRAGE DU SERPENTIN:

Une perte de pression peut signifier que le serpentín a besoin de détartrage. Effectuez cette opération régulièrement.

1. Mélanger la poudre solution non caustique / liquide dans le réservoir flottant selon les instructions du paquet.
2. Enlevez l'embout de la lance. Enveloppez la lance dans un bas en Nylon pour récupérer les débris, puis placez la lance dans le réservoir d'eau.
3. Mettez l'interrupteur à la position 'Pump' (pompe). L'eau circulera à travers le système puis reviendra au réservoir. Laissez l'eau circuler pendant 2 à 4 heures.
4. Mettez l'interrupteur à la position 'Off' (arrêt). Vidangez et nettoyez le réservoir d'eau. Enlevez le bas en Nylon de la lance, puis nettoyez la lance.
5. Rincez le système en entier avec de l'eau propre et fraîche, puis remontez l'embout de la lance.
6. Disposez de la solution de détartrage selon la réglementation en vigueur.

**VÉRIFICATION DE TENSION ET DE RÉSISTANCE :** Vérifiez la tension et la résistance d'alimentation de la machine à l'aide d'un voltmètre et d'un ampèremètre. Si vous ne possédez pas de tels instruments ou si vous ne savez pas vous en servir, confiez cette opération à un technicien agréé.

## ENTRETIEN

### HIVÉRISATION:

Il sera nécessaire d'hivériser cet appareil lors de son stockage ou son transport par temps de gel. Il est impératif de protéger cet appareil contre le gel pour les raisons suivantes:

1. Toute présence de gel dans le système de pompage risque d'entraîner une surpression capable de faire éclater l'appareil et de mettre en danger l'utilisateur et les tiers.
2. Le système de pompage de cet appareil risque d'être endommagé de manière permanente en cas de gel. **LES DÉGÂTS PROVOQUÉS PAR LE GEL NE SONT PAS COUVERTS AU TITRE DE LA GARANTIE.**

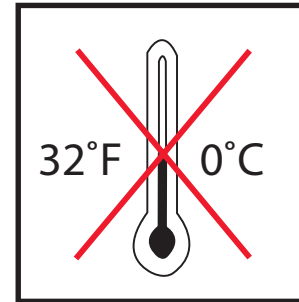
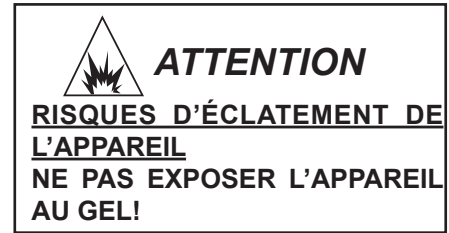
Lorsqu'il est inévitable de stocker l'appareil dans un endroit exposé au gel (moins de 32°F), il est possible de le protéger en appliquant une des méthodes suivantes:

### SOUFFLAGE À L'AIR COMPRIMÉ:

1. Enlevez l'embout de la lance. Appuyez sur la gâchette jusqu'à ce que l'eau cesse de s'écouler de la lance.
2. Raccordez un flexible à air comprimé au raccord de la crépine du réservoir d'eau.
3. Passez le système à l'air comprimé jusqu'à ce que toute eau ait été chassée du système.

### SOLUTION ANTIGEL:

1. Versez un mélange à parties égales d'eau et d'antigel dans le réservoir d'eau.
2. Immergez la crépine à détergent dans de l'antigel pur.
3. Mettez l'interrupteur à la position 'Pump' (pompe). Laissez l'antigel siphonner à travers le système jusqu'à ce que le mélange s'écoule par la sortie. (La solution d'antigel doit s'écouler par la sortie pour assurer l'hivérisation du serpentin. Rajoutez de l'antigel à 50% au réservoir d'eau si nécessaire.)



## ENTRETIEN

### TABLEAU DE MAINTENANCE PRÉVENTIVE PAR L'OPÉRATEUR

PROCÉDURE	QUOTIDIENNEMENT	3 MOIS	6 MOIS	9 MOIS	12 MOIS
Absence de fuites de gaz	X				
Absence de fuites d'eau	X				
Absence de fuites d'huile					
Inspection raccords rapides et boyaux	X				
Vérification niveau d'huile pompe	X				
Vidange pompe*		X	X	X	X
Vérification tension courroie		X	X	X	X
Remplacement buse haute pression		X	X	X	X
Vérification pression d'eau			X		X
Vérification température d'eau			X		X

\* Changer initialement l'huile de la pompe au bout de 50 heures de fonctionnement, puis au moins tous les 3 mois ou toutes les 250 heures de fonctionnement, l'intervalle le plus court étant pris en compte.

### TABLEAU DE MAINTENANCE EFFECTUEE PAR LE CONCESSIONNAIRE

PROCÉDURE	ANNUELLEMENT
Inspection de l'alimentation en gaz	X
Nettoyage des branches de condensation de la conduite de gaz	X
Inspection du brûleur	X
Inspection de l'évacuation	X
Détartrage du serpentín*	X
Mesure de la tension et de l'ampérage	X

\* L'entartrage va varier en fonction de la minéralisation de l'eau et de l'utilisation de l'appareil. Le détartrage peut être mensuel aussi bien qu'annuel.

## DEPANNAGE

SYMPTOME	CAUSE PROBABLE	SOLUTION
Le moteur ne tourne pas.	<p>Surcharge du circuit.</p> <p>Surcharge du circuit secondaire.</p> <p>Surcharge du moteur.</p>	<p>Déterminer si de mise sous tension est allumé. S'il ne l'est pas, inspecter le fusible ou le disjoncteur du circuit.</p> <p>Vérifier les fusibles primaires et secondaires du transformateur.</p> <p>Réarmer le déclencheur thermique de surcharge du moteur de la pompe ou celui se trouvant dans l'armoire électrique.</p> <p>Appeler le service clients.</p>
Rien ne sort de la buse lorsqu'on presse la gâchette.	L'arrivée d'eau est coupée .	Vérifier l'alimentation en eau.
Pression basse ou fluctuante.	<p>Alimentation en eau inadéquate.</p> <p>La pompe aspire de l'air (désamorçage).</p> <p>La vanne de détergent haute pression est ouverte alors que l'extrémité du boyau n'est pas immergée dans le détergent (crée une perte d'aspiration qui désamorçe la pompe).</p> <p>Le boyau haute pression est vrillé.</p> <p>La poignée réglable de la double lance n'est pas en position haute pression.</p> <p>Buse de pulvérisation obstruée ou usée.</p> <p>Vanne de la pompe endommagée ou usée.</p> <p>La garniture de la pompe est usée.</p> <p>La vanne du déchargeur/de dérivation ne fonctionne pas correctement.</p>	<p>Augmenter la taille du boyau et fournir une alimentation adéquate (23 litres/mn sous 140 kPa).</p> <p>Resserrer tous les raccords au niveau de l'arrivée d'eau et éliminer toutes les fuites éventuelles dans la conduite d'alimentation en eau.</p> <p>Fermer la vanne ou immerger le boyau de détergent dans la solution. Réamorcer la pompe.</p> <p>Remplacer le boyau haute pression vrillé.</p> <p>Tourner la poignée <b>dans le sens antihoraire</b> pour passer en mode haute pression.</p> <p>Retirer, nettoyer ou remplacer.</p> <p>Retirer, nettoyer ou remplacer.</p> <p>Remplacer la garniture.</p> <p>Réparer ou remplacer.</p>
L'huile mousse ou paraît laiteuse.	Présence d'eau dans l'huile.	Changer l'huile de la pompe. Remplir au niveau correct.
Fuite d'huile au niveau de la pompe.	Joints ou joints toriques usés.	Consulter le service clients.
Aucun siphonnage du détergent.	<p>Le filtre à détergent n'est pas complètement submergé dans la solution détergente.</p> <p>Le filtre à détergent est colmaté.</p> <p>Le boyau de détergent est fissuré, colmaté ou vrillé.</p> <p>La molette de dosage du détergent est en position « OFF » (arrêt).</p>	<p>Inspecter, submergé si nécessaire.</p> <p>Inspecter, nettoyer ou remplacer.</p> <p>Inspecter, nettoyer ou remplacer</p> <p>Ouvrir la molette de dosage. Se reporter à « Nettoyage avec addition de détergents » à la page 55.</p>
De l'eau s'introduit dans le récipient contenant le détergent.	La bille ou le ressort intégré au filtre sont corrodés ou manquants.	Retirer, nettoyer ou remplacer.
De l'eau sort de la buse même lorsque la gâchette est verrouillée en position fermée.	Le pistolet fonctionne mal.	Réparer ou remplacer.

## DEPANNAGE

SYMPTOME	CAUSE PROBABLE	SOLUTION
On sent une odeur de gaz aux environs de l'appareil avant la mise en marche.	Présence d'une fuite de gaz.	D'un autre local, appeler la compagnie du gaz pour obtenir les instructions nécessaires, ou à défaut de la compagnie du gaz, appeler les pompiers.
Le brûleur ne s'allume pas.	<p>L'interrupteur du brûleur n'est pas en position «ON ».</p> <p>La molette du thermostat est en position «OFF».</p> <p>La gâchette est en position fermée.</p> <p>Panne de l'interrupteur de pression ou de l'aspirateur.</p> <p>Verrouillage de sécurité de la vanne de gaz.</p> <p>Alimentation en gaz inadéquate.</p> <p>Bouchage de la conduite de gaz.</p> <p>Défaillance du module d'allumage.</p> <p>Défaillance de la vanne de gaz.</p>	<p>Vérifier la position de l'interrupteur.</p> <p>Vérifier la position de la molette du thermostat.</p> <p>Presser sur la gâchette du pistolet.</p> <p>Réparer ou remplacer.</p> <p>Relâcher la gâchette du pistolet ou placer l'interrupteur du brûleur en position « OFF » (arrêt) pendant 60 secondes.</p> <p>Vérifier l'alimentation en gaz.</p> <p>Vérifier la pression du gaz.</p> <p>Remplacer le module.</p> <p>Remplacer la vanne.</p>
De l'eau fuit sous le serpentín de l'échangeur de chaleur.	<p>Condensation.</p> <p>Fissure du serpentín de l'échangeur de chaleur.</p>	<p>Peut se produire lors de conditions froides et humides.(Voir la page 55, encadré « IMPORTANT »).</p> <p>Remplacer le serpentín.</p>











## TABLA DE CONTENIDO

<b>INTRODUCCIÓN</b> .....	<b>73</b>
<b>ADVERTENCIAS DE SEGURIDAD IMPORTANTES</b> .....	<b>74-79</b>
RIESGO DE EXPLOSIÓN O INCENDIO .....	74
RIESGO DE ASFIXIA.....	75
RIESGO DE ELECTROCUCIÓN O CHOQUE ELÉCTRICO .....	76
RIESGO DE INYECCIÓN O LESIÓN SEVERA POR CORTADURA.....	77
RIESGO DE QUEMADURAS.....	78
RIESGO DE EXPLOSIÓN.....	78
RIESGO POR PIEZAS EN MOVIMIENTO.....	78
RIESGO DE LESIÓN CORPORAL .....	79
<b>CARACTERÍSTICAS</b> .....	<b>80-83</b>
<b>INSTALACIÓN</b> .....	<b>84-90</b>
LUBICACION DE LA UNIDAD.....	84
EL PROCEDIMIENTO PARA ELEVADORA.....	84
INSTALACIÓN ELÉCTRICA.....	85
TUBERÍA DE GAS.....	85
VENTILACIÓN.....	86
CONEXIONES ENTRANTES.....	87
SUMINISTRO DE AGUA.....	88
CONEXIÓN DE ALTA PRESIÓN.....	88
INSPECCIÓN Y VERIFICACIÓN DE CONDICIONES.....	89
LISTA DE VERIFICACIÓN PREOPERATIVA.....	90
<b>PREPARACIÓN</b> .....	<b>91-93</b>
VESTIMENTA.....	91
PRE-ENCENDIDO .....	91
DESCARGADOR.....	91
BOQUILLAS DE CONEXIÓN RÁPIDA.....	92
CONEXIÓN DE BOQUILLAS.....	92
CONJUNTO DE VARILLA DOBLE DE PRESIÓN AJUSTABLE.....	93
INSPECCIÓN DE SEGURIDAD ANTES DEL ENCENDIDO.....	93
<b>INSTRUCCIONES DE OPERACIÓN</b> .....	<b>95-97</b>
ENJUAGUE DEL SISTEMA.....	95
OPERACIÓN CON AGUA FRÍA.....	95
OPERACIÓN CON AGUA CALIENTE.....	96
LAVADO CON DETERGENTES.....	96
OPCIÓN DE VAPOR.....	97
APAGADO.....	97
<b>MANTENIMIENTO</b> .....	<b>98-100</b>
MANTENIMIENTO PREVENTIVO .....	98
INSPECCIÓN DE LA BANDA.....	98
DESINCRUSTACIÓN SERPENTÍN.....	90
PREPARACIÓN PARA EL INVIERNO.....	100
<b>TABLAS DE MANTENIMIENTO</b> .....	<b>101</b>
<b>DIAGNÓSTICO Y SOLUCIÓN DE FALLAS</b> .....	<b>102-103</b>
<b>INFORME DE GARANTÍA</b> .....	<b>104</b>

### CÓDIGOS NACIONALES:

CÓDIGO NACIONAL DE GAS COMBUSTIBLE ANSI Z223.1  
(NFPA NO. 54)

CÓDIGO NACIONAL ELÉCTRICO NFPA NO. 70 (NEC)

CÓDIGO DE INSTALACIÓN DE GAS-NUMERO CSA B149.1

CÓDIGO CANADIENSE ELÉCTRICO PARTE 1 - NUMERO CSA  
C22.1

### **⚠ ADVERTENCIA**

⚠ ADVERTENCIA: Este producto puede exponerlo a productos químicos, incluido el plomo, que el Estado de California conoce a causar cáncer y defectos congénitos u otros daños reproductivos. Para obtener más información, visite [www.P65Warnings.ca.gov](http://www.P65Warnings.ca.gov)

### **⚠ ADVERTENCIA**

⚠ ADVERTENCIA: Este producto puede exponerlo a químicos incluyendo carbon monoxide, que es conocido por el Estado de California como causante de defectos de nacimiento u otros daños reproductivos. Para mayor información, visite [www.P65Warnings.ca.gov](http://www.P65Warnings.ca.gov).

## INTRODUCCIÓN

Felicitaciones por haber adquirido su nueva lavadora de presión de la SERIE HEG. Puede estar seguro de que su lavadora de presión fue construida y diseñada pensando en la calidad y la eficacia de funcionamiento. Cada componente ha sido probado rigurosamente para asegurar el nivel más alto de confiabilidad.

Este manual del operador fue preparado para su beneficio. Si lee y sigue los sencillos pasos de seguridad, instalación, operación y mantenimiento, así como de diagnóstico y solución de fallas que se describen en este manual, su nueva lavadora de presión le ofrecerá muchos años de operación sin problemas. El contenido de este manual se basa en la información más reciente del producto, disponible al momento de la publicación. Manufacturer se reserva el derecho de hacer cambios de precio, color, materiales, equipo, especificaciones o modelos en cualquier momento sin previo aviso.

### ¡IMPORTANTE!

Estos párrafos están rodeados por un “CUADRO DE AVISO DE SEGURIDAD”. Este cuadro se usa para especificar y enfatizar las advertencias de seguridad que se deberán cumplir al operar esta lavadora a presión. Junto con las Advertencias de Seguridad se encuentran “palabras clave” que designan el grado o nivel de riesgo. Las “palabras clave” usadas en este manual son las siguientes:



**PELIGRO:** Indica una situación inminentemente peligrosa que, de no evitarse, **CAUSARÁ lesiones graves o fatales.**



**ADVERTENCIA:** Indica una situación potencialmente peligrosa que, de no evitarse, **PODRÍA causar lesiones graves o fatales.**



**PRECAUCIÓN:** Indica una situación potencialmente peligrosa que, de no evitarse, **PODRÍA causar una lesión menor o moderada.**



Los símbolos a la izquierda de este párrafo son “símbolos de aviso de seguridad”. Estos símbolos se usan para señalar puntos o procedimientos que podrían ser peligrosos para usted o para otras personas que usen este equipo.

**Siempre proporcione una copia de este manual a quien use este equipo, lea todas las instrucciones antes de operar esta lavadora a presión y especialmente señale las “advertencias de seguridad” para prevenir posibles lesiones al operador.**

Una vez que haya sacado la unidad de su caja, anote inmediatamente el número de serie en el espacio proporcionado a continuación.

**Número de serie:** \_\_\_\_\_

Debe inspeccionar el equipo para determinar si hay señales de daño evidente u oculto ocurrido durante la transportación. Si se encuentra algún daño, presente una queja con la compañía de transportación inmediatamente. Asegúrese de que todas las partes dañadas sean reemplazadas y que los problemas mecánicos y eléctricos sean corregidos antes de operar la unidad. Si requiere de servicio, llame a la oficina de servicio a clientes.


Por favor, prepare la siguiente información cada vez que efectúe una llamada de servicio:

1. Número de modelo
2. Número de serie
3. Fecha y lugar de compra




## ADVERTENCIAS DE SEGURIDAD

LEA TODAS LAS ADVERTENCIAS DE SEGURIDAD ANTES DE INSTALAR Y USAR LA LAVADORA A PRESIÓN

PELIGRO	POSIBLE CONSECUENCIA	PREVENCIÓN
<p data-bbox="224 226 483 254"><b>RIESGO DE ASFIXIA</b></p> 	<p data-bbox="581 226 987 327">Puede haber riesgo de lesiones graves o fatales a causa de la inhalación del gas de escape del quemador o ciertos vapores peligrosos..</p>	<p data-bbox="1019 226 1528 422">Para la instalación de esta unidad, e inclusive para la ventilación de los gases de combustión debe cumplirse con todos los códigos y reglamentos locales, estatales y nacionales (las normas que deben seguirse incluyen el código nacional de gas combustible de ANSI Z223.1/NFPA No.54. En Canada; Refiera al código de instalación de gas en numero CSA B149.1).</p> <p data-bbox="1019 436 1528 604">Siempre asegúrese que la ventilación sea adecuada (aire puro del exterior) para respiración y combustión. Esto evitará la acumulación de gases peligrosos como monóxido de carbono. Tenga cuidado en áreas de ventilación escasa, o áreas con ventiladores de extracción que no realicen intercambio de aire adecuado.</p> <p data-bbox="1019 625 1528 762">Si hay olor de gas, parar el suministro de gas al aparato, extinguir algunas llamas abiertas, y examinar todas conexiones con un solución de jabón. Si el olor continua, llamar su proveedor de gas inmediatamente.</p> <p data-bbox="1019 789 1528 936">Siga todas las instrucciones de seguridad que se proporcionan con los materiales que va a rociar. Puede requerirse el uso de un respirador cuando se trabaja con ciertos materiales. No use esta lavadora de presión para rociar materiales peligrosos.</p>

## ADVERTENCIAS DE SEGURIDAD

LEA TODAS LAS ADVERTENCIAS DE SEGURIDAD ANTES DE INSTALAR Y USAR LA LAVADORA A PRESIÓN

PELIGRO	POSIBLE CONSECUENCIA	PREVENCIÓN
<p style="text-align: center;"><b>RIESGO DE ELECTROCUCIÓN O CHOQUE ELÉCTRICO</b></p> <div style="text-align: center;">  </div>	<p>Hay riesgo de lesiones graves o fatales si la instalación no es adecuada.</p> <p>Pueden sufrirse lesiones graves o fatales si la lavadora de presión no está correctamente conectada a tierra. Su lavadora de presión tiene alimentación de electricidad y puede causar choques eléctricos o electrocución si no se usa correctamente.</p> <p>Puede sufrirse choque eléctrico si la lavadora de presión no se opera correctamente.</p> <p>Puede sufrirse una lesión grave o fatal si se hace contacto con el circuito eléctrico.</p> <p>Puede sufrirse una lesión grave o fatal si se intenta hacer una reparación eléctrica sin haber recibido la capacitación necesaria.</p>	<p>Para la instalación de esta unidad, inclusive de las conexiones eléctricas, deben cumplirse todos los códigos y reglamentos locales, estatales y nacionales (las normas que deben cumplirse incluyen NFPA No.70/NEC del código nacional eléctrico. En Canada; Refiera al código canadiense eléctrico partel - numero CSA C22.1).</p> <p>Esta unidad tiene que conectar a un sistema permanente de eléctrica de la tierra o un conductor del equipo de la tierra tiene que funcionar con los conductores de circuito y conectar al principal del equipo de la tierra en la unidad.</p> <p>Asegúrese que la lavadora de presión esté conectada a una fuente con toma de tierra adecuada, que proporcione el voltaje correcto y tenga la protección adecuada de fusible. Desconecte de la fuente de energía cuando no use el aparato y cuando haga reparaciones.</p> <p>No intente encender el piloto manualmente, ya que tiene un sistema electrónico de chispa para encender automáticamente el piloto.</p> <p>Nunca opere la lavadora de presión con sus compartimentos abiertos o con tapas quitadas o dañadas.</p> <p>No toque la máquina cuando esté parado en piso mojado o con las manos mojadas. Nunca permita que la fuente de alimentación eléctrica o las conexiones hagan contacto con el agua.</p> <p>No rocíe directamente sobre instalaciones eléctricas. Esto incluye contactos eléctricos, bombillas, cajas de fusibles, transformadores y la unidad misma.</p> <p>No permita que los componentes metálicos de la lavadora de presión hagan contacto con componentes eléctricos vivos.</p> <p>Cualquier cableado o reparación del sistema eléctrico debe realizarlo un técnico de servicio autorizado y de acuerdo con los códigos eléctricos locales y nacionales.</p> <p>Antes de abrir un gabinete eléctrico, siempre apague la lavadora de presión, libere la presión y desconecte la lavadora de la fuente de alimentación. Permita que la lavadora de presión se enfríe. Nunca suponga que la lavadora de presión es segura, solamente porque no está en operación. Podría encenderse en cualquier momento.</p>






## ADVERTENCIAS DE SEGURIDAD

LEA TODAS LAS ADVERTENCIAS DE SEGURIDAD ANTES DE INSTALAR Y USAR LA LAVADORA A PRESIÓN

PELIGRO	POSIBLE CONSECUENCIA	PREVENCIÓN
<p><b>RIESGO DE INYECCIÓN O LESIÓN SEVERA POR CORTADURA GRAVE</b></p> 	<p>Hay riesgo de una lesión grave o fatal por penetración de la piel al rociar líquido a alta presión.</p>	<p>Manténgase apartado de la boquilla y del líquido rociado. Nunca ponga la mano, los dedos o el cuerpo directamente enfrente de la boquilla de rocío.</p> <p>Nunca apunte la descarga de alta presión hacia su cuerpo o hacia otra persona.</p> <p>Este producto debe ser usado solamente por operadores capacitados.</p> <p>Siempre mantenga el área de operación despejada de personas.</p> <p>Para reducir el riesgo de lesiones graves, es necesario para tener supervisión bueno cuando usando este equipo cerca de niños. No permita que algún niño opere esta unidad.</p> <p><b>CONSIGA ATENCIÓN MÉDICA INMEDIATA</b> si el rocío parece haber penetrado la piel. <b>NO TRATE LA HERIDA COMO UNA SIMPLE CORTADURA.</b> Prepárese para explicar al médico exactamente qué tipo de agentes limpiadores está usando, leyendo la hoja de especificaciones de seguridad del material (MSDS) que viene con su detergente.</p> <p>Las mangueras de alta presión deben ser inspeccionadas diariamente para detectar señales de desgaste. Si existe riesgo de roturas, reemplace todas las mangueras sospechosas para prevenir lesiones causadas por el rocío a alta presión. Si una manguera o conector tiene fuga, <b>NUNCA PONGA LA MANO DIRECTAMENTE SOBRE LA FUGA.</b></p> <p>Antes de usar la lavadora de presión, o cuando use conectores rápidos para las mangueras y boquillas de alta presión, asegúrese que el “collar” de la conexión hembra esté firmemente trabado para prevenir una descarga accidental, y asegúrese que todos los conectores estén bien trabados.</p> <p><b>NUNCA</b> opere la pistola con el gatillo fijado en la posición abierta. Para prevenir una descarga accidental la pistola debe estar trabada firmemente cuando no se use.</p> <p>Antes de quitar la boquilla o de reparar la unidad, <b>SIEMPRE</b> debe apagar la unidad y apretar el gatillo de la pistola para liberar la presión atrapada (aun después de apagar la unidad, puede existir agua a alta presión en la bomba, en las mangueras y en la pistola hasta que se libere la presión apretando el gatillo).</p>


## ADVERTENCIAS DE SEGURIDAD

LEA TODAS LAS ADVERTENCIAS DE SEGURIDAD ANTES DE INSTALAR Y USAR LA LAVADORA A PRESIÓN

PELIGRO	POSIBLE CONSECUENCIA	PREVENCIÓN
<p><b>RIESGO DE QUEMADURAS</b></p> 	<p>Pueden sufrirse lesiones graves si se toca el intercambiador de calor o la tubería de escape. Estas áreas pueden permanecer calientes por algún tiempo después de haber apagado la lavadora de presión.</p>	<p>Nunca permita que alguna parte del cuerpo haga contacto con el intercambiador de calor o la tubería de escape.</p>
<p><b>RIESGO DE EXPLOSIÓN</b></p> 	<p>Pueden sufrirse lesiones graves a causa de mal funcionamiento de la lavadora de presión o explosión de accesorios si se usan componentes, aditamentos o accesorios incorrectos.</p> <p>Pueden sufrirse lesiones graves o fatales si se intenta encender la lavadora a presión cuando se encuentra congelada.</p>	<p>Nunca haga ajustes a las presiones que se hayan ajustado en la fábrica.</p> <p>Si el quemador no se apaga, cierre la válvula de suministro de gas y llame al técnico de servicio.</p> <p>Nunca se exceda de las presiones máximas permitidas por los fabricantes de los aditamentos.</p> <p>Nunca permita que las mangueras hagan contacto con el intercambiador de calor, para prevenir la posibilidad de que revienten. No arrastre las mangueras sobre superficies abrasivas como el cemento.</p> <p>Use solamente repuestos recomendados por el fabricante para su lavadora de presión.</p> <p>En temperaturas de congelación, la unidad debe estar suficientemente caliente para prevenir que se forme hielo en el interior. No encienda la lavadora de presión sin antes permitir que se descongele completamente.</p>
<p><b>RIESGO POR PARTES EN MOVIMIENTO</b></p> 	<p>Pueden sufrirse lesiones graves si el operador hace contacto con piezas en movimiento de la lavadora de presión.</p>	<p>No opere la unidad sin sus tapas protectoras ni haga ajustes sin apagar la lavadora, liberar la presión y desconectarla de la fuente de alimentación. Permita que la lavadora se enfríe. Nunca suponga que la lavadora de presión es segura, solamente porque no está en operación. Podría encenderse en cualquier momento.</p>

## ADVERTENCIAS DE SEGURIDAD

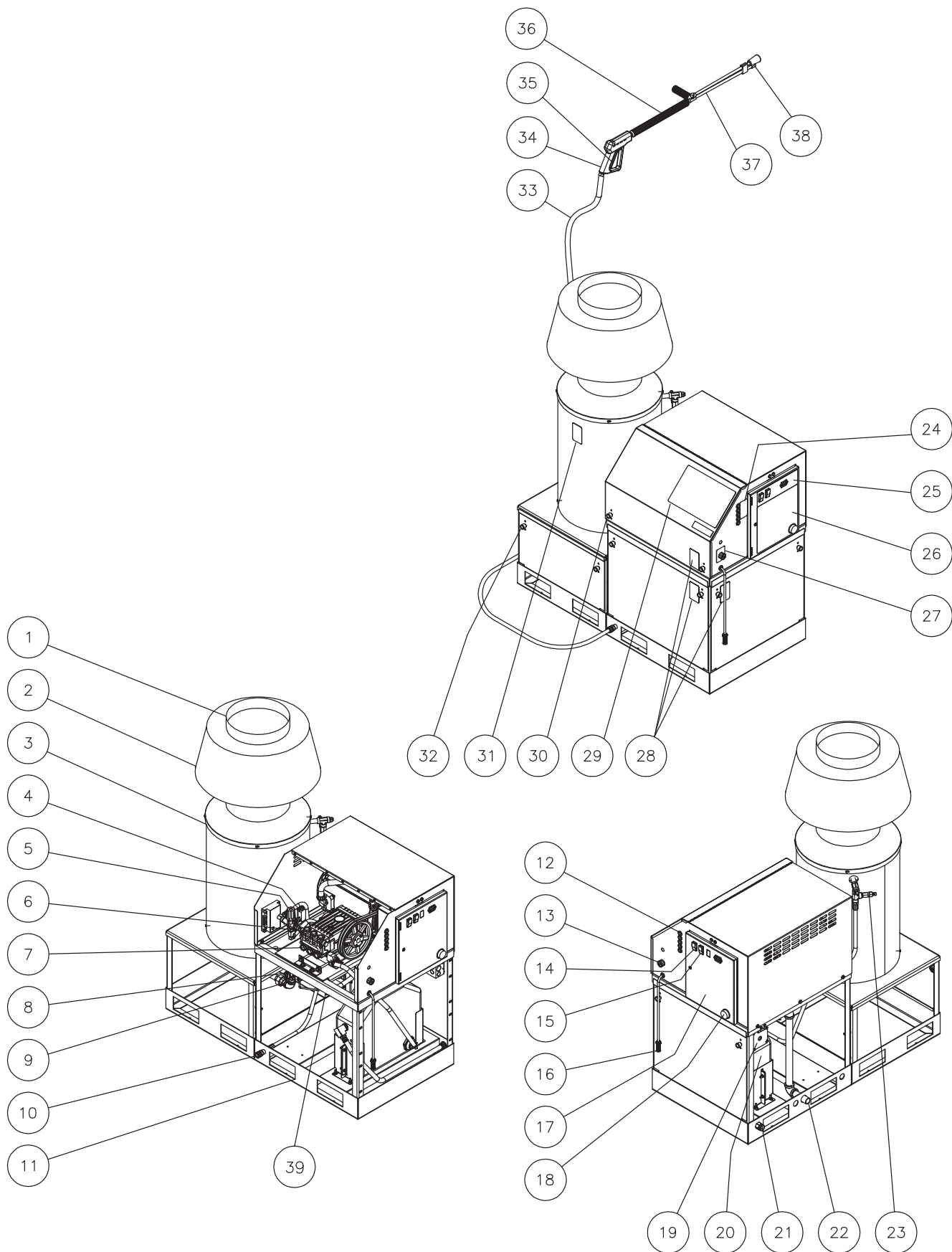
LEA TODAS LAS ADVERTENCIAS DE SEGURIDAD ANTES DE INSTALAR Y USAR LA LAVADORA A PRESIÓN

PELIGRO	POSIBLE CONSECUENCIA	PREVENCIÓN
<p style="text-align: center;"><b>RIESGO DE LESIONES</b></p> <div style="text-align: center;">  </div>	<p>Pueden sufrirse lesiones graves o fatales cuando los detergentes hacen contacto con la piel o la penetran.</p> <p>Pueden sufrirse lesiones graves a causa de residuos lanzados a alta velocidad por la pistola de rocío.</p> <p>Pueden sufrirse lesiones si el operador pierde el equilibrio a causa del chorro de agua que sale de la boquilla de rocío.</p> <p>Pueden sufrirse lesiones causadas por la lavadora de presión.</p>	<p>CONSIGA ATENCIÓN MÉDICA DE EMERGENCIA si el rocío parece haber penetrado la piel. NO TRATE LA HERIDA COMO UNA SIMPLE CORTADURA. Prepárese para explicar al médico exactamente qué tipo de agentes limpiadores estaba usando, leyendo la hoja de especificaciones de seguridad del material (MSDS) proporcionada con su detergente.</p> <p>Nunca use solventes o detergentes altamente corrosivos o limpiadores ácidos con esta lavadora de presión.</p> <p>Se recomienda usar equipo de protección como trajes de goma, guantes y respiradores, especialmente cuando se usan detergentes limpiadores. Mantenga todos los detergentes fuera del alcance de los niños.</p> <p>SIEMPRE use gafas protectoras cuando opere la unidad para proteger sus ojos de residuos y detergentes lanzados al aire.</p> <p>NO dirija el rocío hacia materiales frágiles como cristal porque los podría quebrar.</p> <p>Manténgase alerta y observe lo que hace. No opere la unidad cuando esté cansado o esté bajo la influencia de alcohol o drogas.</p> <p>NUNCA apriete el gatillo sin antes estar bien apoyado.</p> <p>NO se extienda demasiado ni se pare sobre un soporte inestable.</p> <p>Las superficies mojadas pueden ser resbalosas, por lo tanto debe usar calzado resistente y mantener una buena posición y equilibrio en todo momento.</p> <p>NUNCA apriete el gatillo mientras esté parado en una escalera o en un techo.</p> <p>SIEMPRE sostenga firmemente la pistola y varilla cuando encienda y cuando opere la unidad. Si no lo hace, puede caerse la varilla y moverse peligrosamente como un látigo.</p> <p>Debe saber cómo parar la lavadora a presión y cómo liberar la presión rápidamente. Familiarícese bien con los controles.</p> <p>NO deje la unidad a alta presión cuando se aparte. Apague la lavadora y libere la presión antes de apartarse.</p> <p>NO opere la unidad si hay aceite o agua que se ha fugado de la máquina. NO reanude la operación sin que antes la haya inspeccionado y reparado un técnico capacitado de servicio.</p> <p>Nunca haga ajustes en la máquina mientras esté en operación.</p> <p>Antes de cualquier servicio a la unidad: apague la lavadora a presión, libere la presión y desconecte la lavadora de su fuente de alimentación. Permita que la lavadora se enfríe. Nunca suponga que la lavadora de presión es segura, solamente porque no está en operación. Podría encenderse en cualquier momento.</p>


**¡CONSERVE ESTAS INSTRUCCIONES!**


## CARACTERÍSTICAS DE LA SERIE HEG

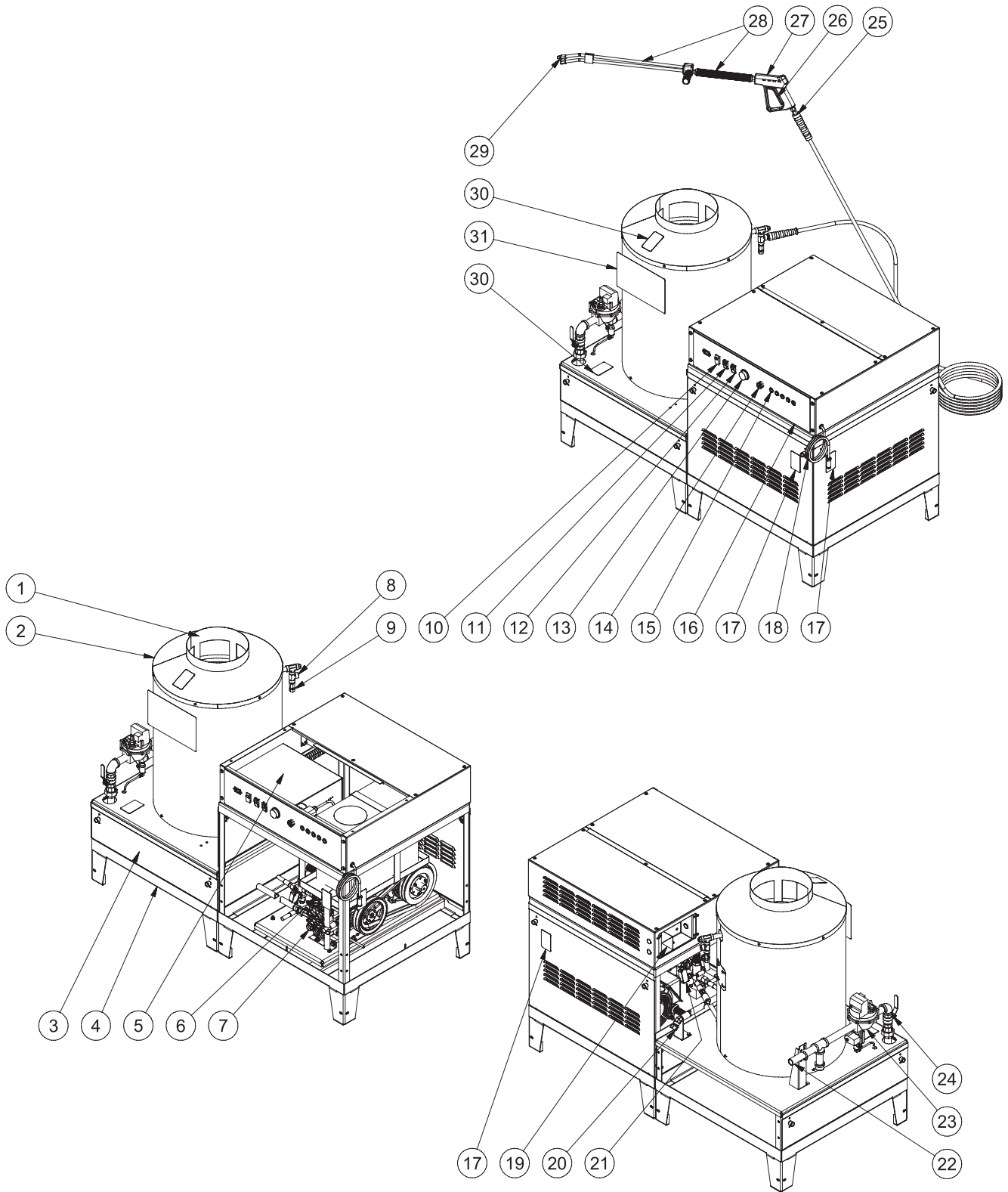
HEG SERIES FEATURES-080212



## LISTA DE COMPONENTES

1. Tomacorriente del exhosto
2. Desviador del corriente del aire
3. Intercambiador de calor
4. Interruptor de presión
5. Descargadora de toques de presión
6. Válvula de descarga térmica
7. Bomba de presión alta
8. Válvula para parar gas
9. Válvula de gas
10. Tomacorriente de presión alta
11. Acceso de carretilla
12. Depósito de boquilla
13. Válvula medidor de detergente
14. Interruptor de bomba con un luz de indicio
15. Interruptor de quemador con un luz de indicio
16. Malla de detergente
17. Recinto de eléctrico
18. Termostato ajustable
19. Caja de empalme
20. Tanque de floatar con un filtro
21. Entrada del agua
22. Entrada de suministro del gas
23. Válvula de alivio de presión
24. Calcomanía- boquillas
25. Calcomanía- Interruptores de caja de eléctrico (Bomba/quemador)
26. Calcomanía- Operación
27. Calcomanía- Válvula de detergente
28. Calcomanía- Advertencia: Riesgo de lesiones/poleas expuesto
29. Calcomanía- Advertencia/Adviso
30. Puerta de acceso con bisagras
31. Calcomanía- Advertencia- Superficie calientes
32. Panel del acceso
33. Manguera de presión
34. Gatillo de pistola
35. Cerradura de seguridad de gatillo
36. Lanza con aislante
37. Lanza doble ajustado de presión
38. Boquillas de presión alta
39. Bomba de drenaje de aceite

# CARACTERÍSTICAS DE LA SERIE HEG VOLUMEN ALTO



HEG-3008\_2010 FEATURES 050916

## LISTA DE COMPONENTES

1. Tomacorriente del exhosto
2. Intercambiador de calor
3. Panel del aceso
4. Acceso de carretilla
5. Recinto de eléctrico
6. Válvula de descarga térmica
7. Bomba de presión alta
8. Tomacorriente de presión alta
9. Válvula de alivio de presión
10. Interruptor de bomba con un luz de indicio
11. Interruptor de quemador con un luz de indicio
12. El Interruptor de Detergente
13. Termostato ajustable
14. Válvula medidor de detergente
15. Depósito de boquilla
16. El Panel del Calcomanía-Control
17. Calcomanía- Advertencia: Riesgo de lesiones/poleas expuesto
18. Malla de detergente
19. Caja de empalme
20. Puerta de aceso con bisagras
21. Interruptor de presión
22. Entrada de suministro del gas
23. Válvula de gas
24. Válvula para parar gas
25. Manguera de presión
26. Cerradura de seguridad de gatillo
27. Gatillo de pistola
28. Lanza aislante doble ajustado de presión
29. Boquillas de presión alta
30. Calcomanía- Advertencia- Superficie calientes
31. Calcomanía- Advertencia/Adviso




## INSTALACIÓN

 **PELIGRO**

**¡RIESGO DE EXPLOSIÓN O INCENDIO!**  
**NO PONGA LA UNIDAD EN LUGARES DONDE PUEDAN EXISTIR GASES O VAPORES INFLAMABLES. ¡UNA CHISPA PODRÍA CAUSAR UNA EXPLOSIÓN O UN INCENDIO!**


**¡RIESGO DE ESTALLIDO DE LA UNIDAD!**  
**¡NO PONGA LA UNIDAD EN LUGARES DONDE PUEDA CONGELARSE!**

 **ADVERTENCIA**

**¡RIESGO DE ASFIXIA!**  
**¡USE ESTE PRODUCTO SOLAMENTE EN ÁREAS BIEN VENTILADAS! EL GAS QUE ESCAPA CONTIENE MONÓXIDO DE CARBONO, UN GAS VENENOSO, INODORO E INVISIBLE. LA RESPIRACIÓN DE ESTE GAS PUEDE CAUSAR LESIONES, ENFERMEDAD Y POSIBLEMENTE LA MUERTE.**

### LUBICACIÓN DE LA UNIDAD:

1. Esta unidad debe instalarla en interiores un técnico capacitado. Debe ser un ambiente sin riesgo de congelación y seco, apartado de viento y lluvia. Si alguna parte de la unidad se congela, la presión excesiva resultante podría causar un estallido y posibles lesiones graves al operador o a las personas que se encuentren cerca. Deben tomarse las precauciones normales para que la humedad no llegue a los controles eléctricos de la unidad de potencia.
2. Debe colocarse apartada de materiales inflamables o combustibles. Estos tipos de materiales deben mantenerse por lo menos a 20 pies de las unidades que consuman gas como combustible.
3. No la ponga en áreas pequeñas o en áreas que tengan ventiladores de extracción. La combustión se dificulta y se puede acumular monóxido de carbono en estas áreas. Deje suficiente espacio libre para el servicio. En algunos códigos pueden requerirse ciertas distancias a la pared y al piso. Dos pies de separación hasta la pared pueden ser suficientes.
4. Esta unidad debe colocarse sobre un piso nivelado para asegurar la lubricación adecuada de la bomba de agua al operar. **NUNCA** rocíe agua directamente hacia la unidad.
5. **NO COLOQUE LA UNIDAD** en un área:
  - a. que pueda tener gases o vapores inflamables.
  - b. que tenga ventilación insuficiente.
  - c. donde existan fugas de aceite o combustible.

 **PRECAUCION**

**¡EL RIESGO DEL DAÑO A UNIDAD!**

**LA UNIDAD SE DEBE MANEJAR APROPIADAMENTE DURANTE PROCEDIMIENTOS DE INSTALACION ELEVADORA DEBE SER SEGUIDO**

### EL PROCEDIMIENTO DE ELEVADORA:

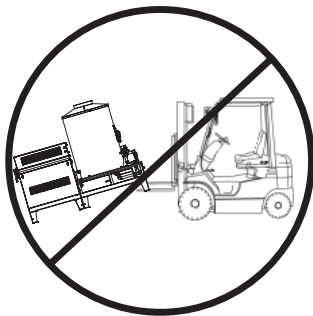
Estas máquinas se envían montadas a un palet. Al quitar de el palet y posicionando en el lugar el cuidado especial se debe tomar para prevenir el daño a la máquina.

1. El método preferido; Levantando de la frente de la unidad.  
Una forma debe ser colocada bajo el lado de motor/bomba; el otro debe ser colocado bajo el lado de rollo.

*La nota: Esta máquina puede necesitar ser levantada de cualquier fin de la máquina para obtener en y orientado correctamente en áreas apretadas. Las extensiones de elevadora TIENEN que usar como sea necesario.*

2. Levantando de cualquier fin de la unidad.

Asegure que las elevadoras extiendan pasado el centro que levanta apoyos de la unidad antes de levantar. Sólo levante hasta que tan alto como necesario para moverlo en posición.



**ILUSTRACIÓN #1  
ELEVADORA DEBE**

# INSTALACIÓN

## INSTALACIÓN ELÉCTRICA:

1. Un técnico capacitado de servicio debe realizar la instalación de esta unidad y toda la instalación eléctrica debe cumplir con los códigos y reglamentos locales, estatales y nacionales, incluyendo el NFPA No.70 del código eléctrico nacional (NEC). En Canada; Refiera al código canadiense eléctrico parte 1 - numero CSA C22.1.
2. Esta unidad llega a usted con las puntas de cables en una caja de conexiones dentro del gabinete. Usted debe conectar allí la fuente de alimentación.
3. Debe asegurarse que la alimentación eléctrica tiene las especificaciones de la placa de su lavadora de presión.
4. Asegúrese que todas las conexiones queden firmes y vuelva a poner todas las tapas.

## TUBERÍA DE GAS:

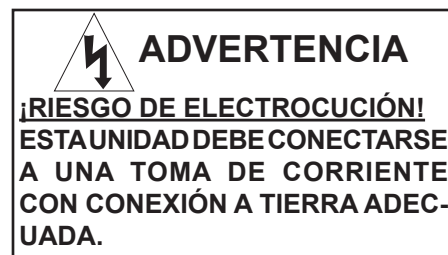
1. La instalación de esta unidad debe realizarla un técnico capacitado y toda la tubería de gas debe cumplir con los códigos y reglamentos locales, estatales y nacionales, incluyendo el código nacional de gas combustible ANSI Z223.1/NFPA No.54. En Canada; Refiera al código de instalación de gas - numero CSA B149.1.
2. Cierre la alimentación de gas y desconecte la electricidad antes de iniciar la instalación o el servicio.
3. La línea de gas al quemador debe ser un suministro separado del medidor debido a la demanda del quemador. Use tubería nueva y acomódela pensando siempre en facilitar el servicio futuro. Use solamente tubo negro o tubo adecuado para instalaciones de gas y asegúrese que esté libre de rebabas de corte y defectos. Use compuesto para juntas (no use cinta de teflón) solamente en conectores macho, dejando limpios los primeros dos hilos de la rosca. NO use compuesto en conectores hembra donde pueda entrar a la línea y causar falla de la válvula de gas.

## TAMAÑOS RECOMENDADOS DE TUBERÍA PARA ALIMENTACIÓN DE GAS

GAS NATURAL		GAS LÍQUIDO	
DISTANCIA DEL REGULADOR A LA UNIDAD	TAMAÑO DE TUBO	DISTANCIA DEL REGULADOR A LA UNIDAD	TAMAÑO DE TUBO
0 - 50 Pies	1-1/2" 1PS	0-50 Pies	1" 1PS
50-100 Pies	2" 1PS	50-100 Pies	1-1/2" 1PS
100-200 Pies	2-1/2" 1PS	100-200 Pies	1-3/4" 1PS

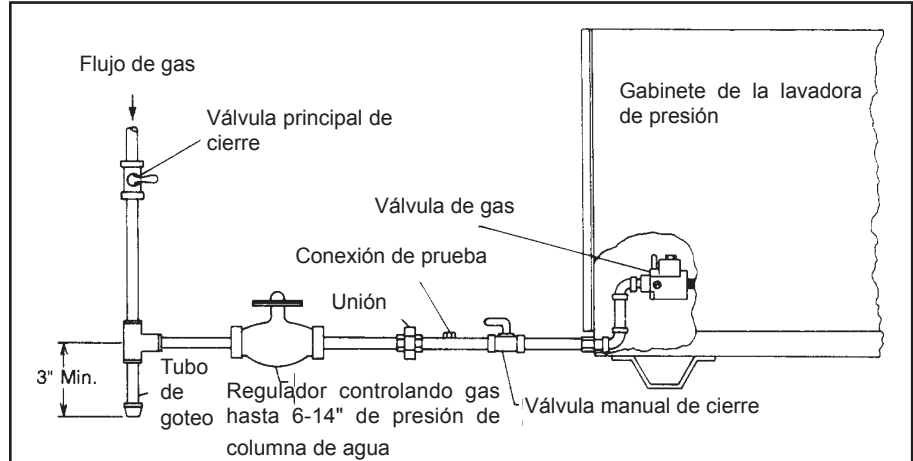
(Consulte la ilustración #2 para lo siguiente:)

4. Instale una válvula manual principal de cierre en la línea de gas, entre el medidor o regulador y la máquina.
5. Más adelante en la línea, después de la válvula principal de cierre, debe instalarse una T y un tubo de goteo para atrapar residuos y humedad. Este tubo de goteo debe tener un tapón.
6. Debe instalarse un niple y regulador de gas en la conexión de T. Este regulador debe controlar la presión de gas hasta un nivel bajo de 3"-12" de presión de columna de agua
7. En el otro lado del regulador, debe instalarse otro niple de 4" y una unión.
8. Después de la unión y antes de la válvula de gas en la unidad, debe instalarse una válvula manual de cierre con un tubo NPT de 1/8" accesible para una conexión de manómetro de prueba entre la válvula y la unión.

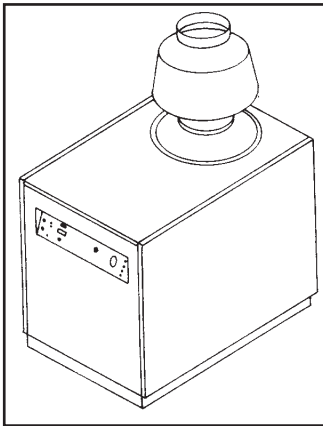


## INSTALACIÓN

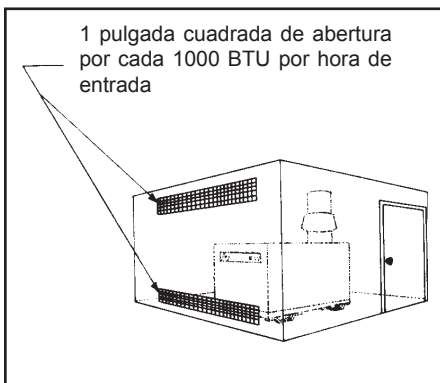
### ILUSTRACIÓN #2 TUBERÍA DE SUMINISTRO DE GAS



### ILUSTRACIÓN # 3 CAMPANA DE ESCAPE



### ILUSTRACIÓN # 4 VENTILACIÓN DE UN CUARTO CERRADO



#### VENTILATION:

1. La instalación de esta unidad en interiores o en áreas cerradas debe ser realizada por un técnico capacitado y todos los medios de ventilación deben cumplir con todos los códigos o reglamentos locales, estatales y nacionales, incluyendo el código nacional de gas combustible ANSI Z223.1/NFPA No.54. En Canada; Refiera al código de instalación de gas - numero CSA B149.1. El escape del quemador debe tener un tubo que conduzca los gases a la atmósfera exterior y se debe instalar también una barrera contra vientos.

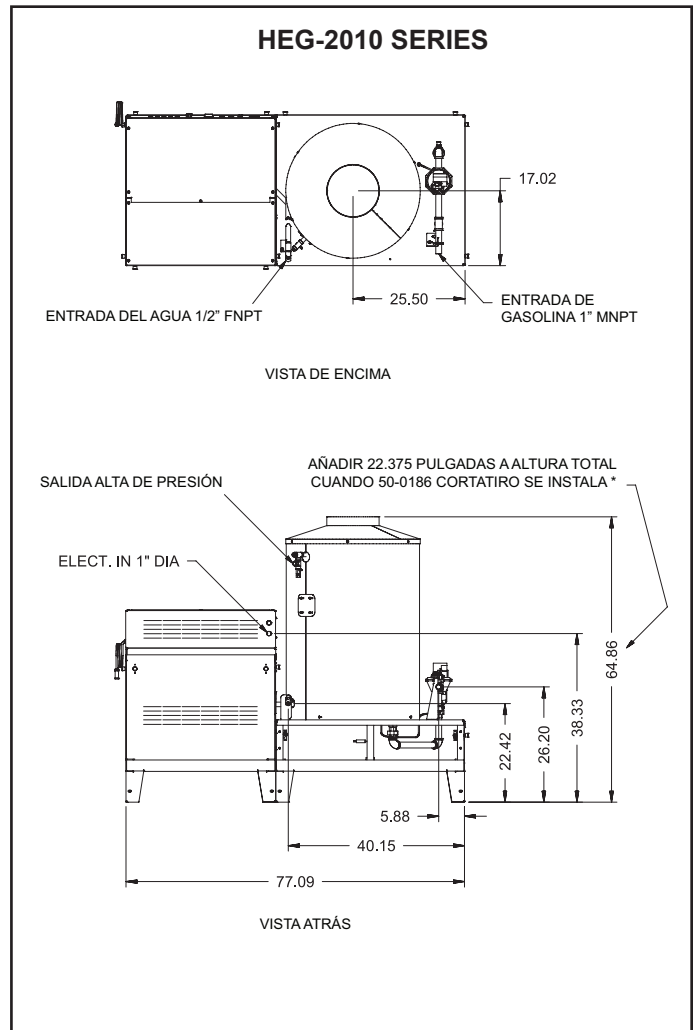
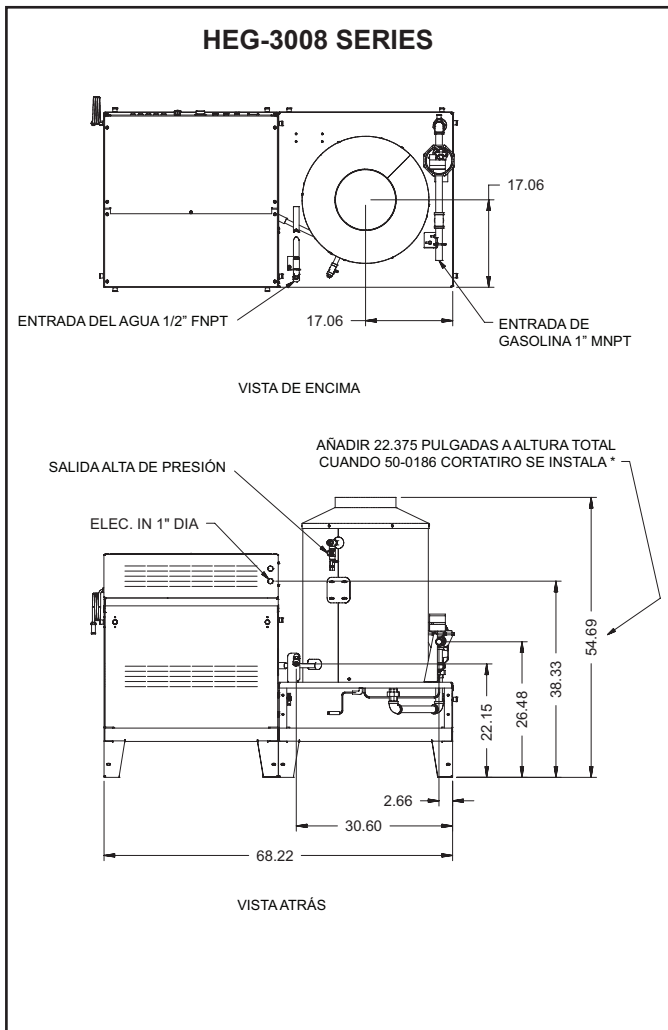
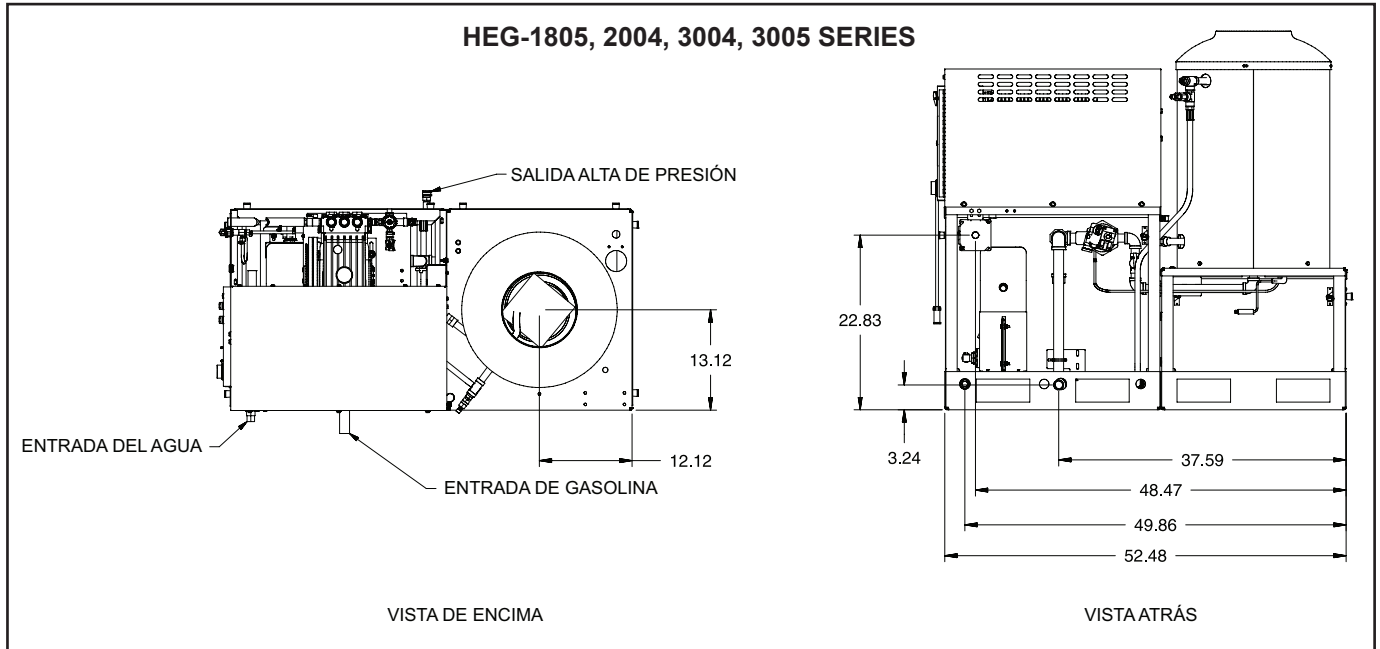
**NOTA:** No debe haber más de 6500 BTU por cada pulgada cuadrada de escape.

2. Debe instalarse una barrera contra viento arriba de la salida de escape. Esta barrera anula el efecto de chimenea y mejora el flujo del aire a través del quemador para tener una llama más eficiente. También ayuda a prevenir que los vientos fríos congelen el intercambiador de calor (vea la ilustración #3).
3. Instale el tubo del tamaño recomendado locales, estatales y nacionales, incluyendo el código nacional de gas combustible ANSI Z223.1/NFPA No.54. En Canada; Refiera al código de instalación de gas - numero CSA B149.1. Si el tubo de escape excede de 10 pies o tiene más de dos codos, el tiro natural se elimina y el quemador no encenderá. En casos como esto, una abertura de poder certificada puede ser usado para quitar gases de escape del edificio. Los gases de combustión pueden ser quitados por aberturas de azotea o por sistemas de abertura horizontales de pared lateral. No instale un apagador de tubo de conducto de humos movable. La abertura debe cumplir con todas las exigencias locales necesarias y ser instalada según el manual de instrucción y todos los códigos aplicables por un técnico calificado.
4. Si se instala la unidad en una habitación cerrada, proporcione aire adecuado para combustión instalando aberturas cerca del techo para escape y cerca del piso para aire de combustión. Estas aberturas deben ser calculadas en base a una pulgada cuadrada por cada 1000 BTU por hora de la máquina.

*Ejemplo: Una lavadora de presión con 400,000 BTU de entrada requiere aberturas de 400 pulgadas cuadradas o aproximadamente 3 pies x 1 pie (vea la ilustración #4).*

5. Si el edificio en el que se instala la unidad parece muy hermético, se recomienda instalar entradas de aire extendidas hasta el exterior del edificio para tener buen suministro de aire de combustión. Los tubos de estas entradas deben terminar en una abertura o codo hacia abajo para protegerlos de nieve y lluvia. Debe ponerse también una malla con orificios no menores de 1/4" a la entrada del tubo.

## ILUSTRACIÓN # 5 CONEXIONES ENTRANTES



## INSTALACIÓN

### SUMINISTRO DE AGUA:

1. Seleccione una manguera de suministro de agua de buena calidad similar a una de jardín, que mida por lo menos 3/4" de diámetro interior y 50 pies de largo como máximo (vea la ilustración #6).
2. Conecte un extremo de la manguera a la entrada de agua del aparato. Conecte el otro extremo a su red de suministro presurizada.

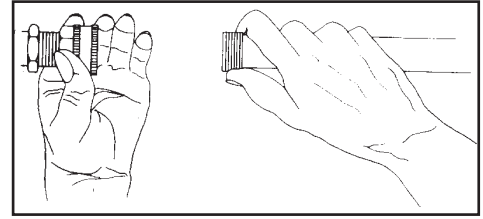
**NOTA:** Si hay contenido alto de minerales en el agua, se recomienda usar un ablandador de agua para prevenir la acumulación excesiva de minerales en los serpentines del intercambiador de calor.

3. Asegúrese que todas las conexiones estén firmemente apretadas.
  - a. La manguera de suministro a la entrada de agua del aparato.
  - b. La manguera de suministro a la red presurizada de agua.
4. Cumpla con los requisitos que se mencionan a continuación para el suministro de agua:
  - a. La presión del agua debe estar entre un mínimo de 20 PSI y un máximo de 65 PSI.
  - b. El flujo de entrada en GPM debe ser aproximadamente un galón más que el flujo de salida especificado en GPM en la placa de la lavadora de presión. Puede medir el flujo de la línea tomando el tiempo que tarda en llenar un recipiente de 5 galones.
  - c. La temperatura del agua de entrada no debe exceder de 125°F. Puede causarse daño excesivo a la bomba si la temperatura del agua excede de este nivel aceptable.

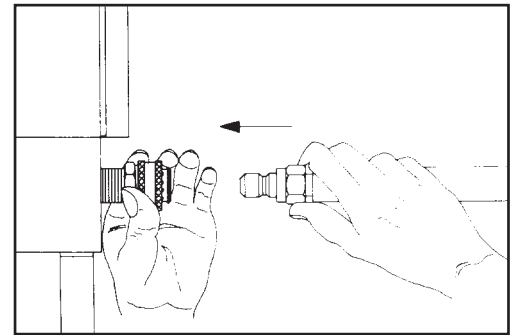
**NOTA:** Si el suministro de agua no es adecuado o la manguera está torcida, el aparato no funcionará debidamente y el quemador no se encenderá.

5. Nunca permita que el aparato opere sin la línea de agua de entrada conectada y la válvula de suministro de agua completamente abierta.

### ILUSTRACIÓN #6 CONEXIÓN DE LA MANGUERA



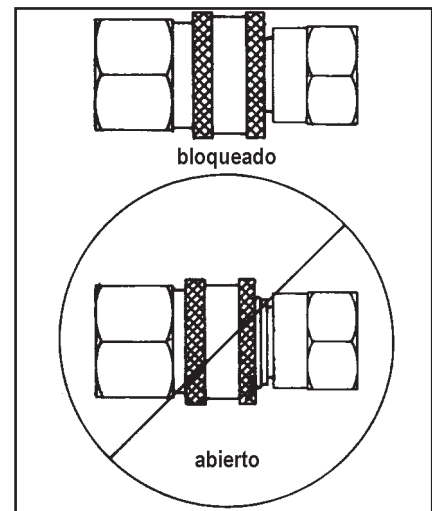
### ILUSTRACIÓN #7 CONEXIÓN DE MANGUERA DE ALTA PRESIÓN



### CONEXIÓN DE ALTA PRESIÓN:

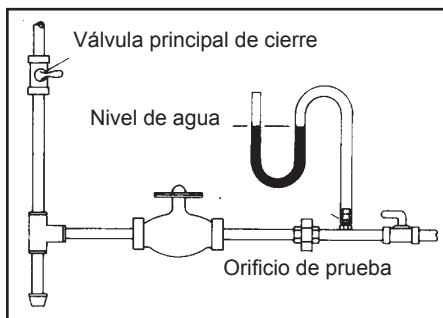
Conecte la manguera de descarga de alta presión uniendo un extremo a la lavadora y el otro a la pistola. Asegúrese que los conectores rápidos estén firmemente trabados (vea las ilustraciones #7 y #8).

### ILUSTRACIÓN #8 CONECTOR RÁPIDO

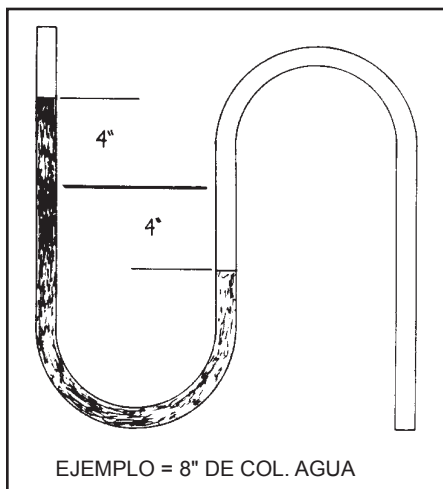


## INSTALACIÓN

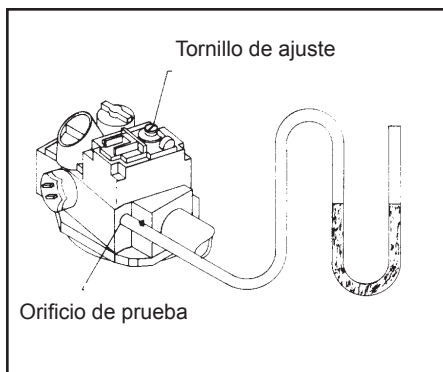
### ILUSTRACIÓN #9 CÓMO HACER UN MANÓMETRO



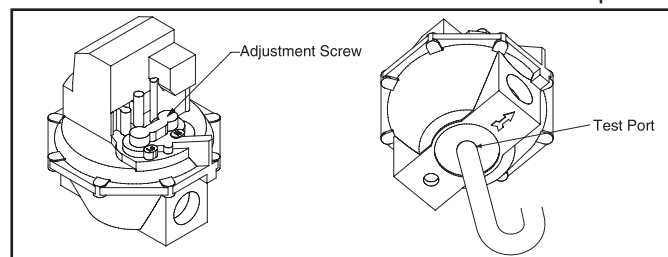
### ILUSTRACIÓN #10 MEDICIÓN DE LA COLUMNA DE AGUA



### ILUSTRACIÓN #11 AJUSTE DEL REGULADOR DE GAS



### ILUSTRACIÓN #12 HONEYWELL PARTS



### INSPECCIÓN Y VERIFICACIÓN DE CONDICIONES:

1. Asegúrese que no se debilita la construcción del edificio al instalar esta unidad y asegúrese que la tubería quede bien sujeta.
2. Verifique la presión del gas y revise la tubería para detectar fugas.
  - a. Asegúrese que todas las conexiones de gas se han hecho y cierre la válvula antes de la válvula de gas en la máquina.
  - b. Inmediatamente después de abrir la válvula principal, recubra con agua jabonosa toda la tubería y las conexiones para verificar si hay fugas de gas. Deben reemplazarse inmediatamente los tubos y conectores defectuosos.
  - c. Después de revisar el medidor y la tubería para detectar fugas, purgue el aire del sistema quitando el tapón del orificio de prueba y drenando la línea en un área bien ventilada para protegerse contra un riesgo potencial de incendio.
  - d. Si no tiene disponible un manómetro comercial, haga uno con un tubo transparente en forma de U y llénelo hasta la mitad con agua (vea la ilustración #9). Con la válvula principal de gas cerrada, ponga un conector de manguera en el orificio de prueba, conecte la manguera y marque el nivel de agua como se muestra en la figura.
  - e. Abra la válvula principal de gas y verifique el nivel de la columna de agua midiendo la distancia que subieron y bajaron los dos niveles de agua a partir del punto inicial. Esto no debe exceder de 14" de columna de agua (vea la ilustración #10). Encienda la unidad y verifique la presión con el quemador encendido. La presión de gas en ese punto debe ser de 10 et 18 cm de columna de agua para gas natural y 20 et 30 cm de columna de agua para propano líquido.
  - f. Cierre la válvula principal de gas, quite el conector de manguera y vuelva a poner el tapón.
  - g. Con una llave de tuercas hexagonales de 3/16" quite el tapón del orificio de prueba en la válvula de gas del interior de la lavadora (vea la ilustración #9) y conecte su manómetro o tubo de prueba.
  - h. Abra la válvula principal de gas y la válvula reguladora. Opere la unidad con el quemador encendido y verifique la presión del múltiple. La presión de gas en este punto debe ser de 9 et 10 cm de columna de agua para gas natural y 22 et 24 cm de columna de agua para propano líquido.
  - i. Apague la unidad y la válvula manual de cierre, quite el manómetro o tubo de prueba y vuelva a poner el tapón.
3. El ajuste del regulador de gas en la válvula normalmente NO ES necesario, ya que viene preajustado de fábrica. Sin embargo, si llega a ser necesario, siga las instrucciones siguientes:
  - a. Con una llave de tuercas hexagonales de 3/16" quite el tapón del orificio de prueba en la válvula de gas del interior de la lavadora (vea la ilustración #11 para la válvula se llama Robert Shaw y la ilustración #12 para la válvula se llama Honeywell Valve.) y conecte su manómetro o tubo de prueba.
  - b. Con el quemador encendido, use un destornillador para ajustar la presión de gas (en el sentido de las manecillas del reloj para aumentar y en el sentido contrario a las manecillas para reducir la presión).
  - c. Cuando termine apague la unidad y cierre la válvula manual, vuelva a poner la tapa de ajuste, quite el manómetro o tubo de prueba y vuelva a poner el tapón.



# INSTALACIÓN

## LISTA DE VERIFICACIÓN PREOPERATIVA:

Antes de encender la unidad, conteste las preguntas de esta lista:

### PREGUNTAS

<b>CÓDIGOS:</b>	SÍ	NO
1. ¿Cumple la instalación eléctrica con los códigos respectivos?	___	___
2. ¿Cumple la instalación de gas con los códigos respectivos?	___	___
3. ¿Cumple el sistema de ventilación con los códigos respectivos?	___	___
<b>LUBICACIÓN:</b>		
1. ¿Está instalada la unidad en el interior de un edificio sobre un piso no combustible en un área seca protegida de exceso de viento, lluvia y humedad?	___	___
2. ¿Está ubicada la unidad lejos de materiales inflamables y combustibles?	___	___
3. ¿Está ubicada la unidad en un lugar suficientemente grande para tener flujo de aire adecuado?	___	___
<b>INSTALACIÓN ELÉCTRICA:</b>		
1. ¿Está conectada debidamente a tierra la unidad?	___	___
2. ¿Cumplen todos los componentes eléctricos de la instalación con los requisitos mostrados en la placa de especificaciones del aparato (32) y se alimenta el voltaje correcto?	___	___
<b>SUMINISTRO DE GAS:</b>		
1. ¿Se usa el combustible apropiado (gas natural o propano líquido) para su lavadora de presión?	___	___
2. ¿Cumple el gas de suministro con la demanda del quemador (capacidad en BTU)?	___	___
3. ¿Se ha instalado el regulador de gas apropiado para obtener el nivel adecuado de presión y flujo?	___	___
4. ¿Es del tamaño correcto la tubería y se han verificado las conexiones de gas para detectar fugas?	___	___
5. ¿Está completamente abierta la válvula de gas?	___	___
6. ¿Hay una presión de entrada de gas de 3"-7" de columna de agua para gas natural y 8"-12" de columna de agua para propano líquido?	___	___
7. ¿Son suficientemente grandes los tanques de propano (si corresponde) para evitar congelación de acuerdo con la capacidad de la unidad?	___	___
<b>VENTILACIÓN:</b>		
1. ¿Se han empleado los tubos y campana de tamaño adecuado para el escape?	___	___
2. ¿Hay ventilación adecuada para la combustión del quemador?	___	___
3. ¿Está adecuadamente ventilada la unidad para permitir un flujo de aire apropiado?	___	___
4. ¿Está entubada la línea de escape hasta llegar al exterior del edificio?	___	___
<b>GENERAL:</b>		
1. ¿Han leído todos los operadores de esta unidad el manual de instalación y operación y entendido todas las advertencias de seguridad?	___	___
2. ¿Ha sido instalada la unidad por técnicos capacitados que siguieron las instrucciones del manual de instalación y operación?	___	___
3. ¿Existe un suministro de agua abundante?	___	___

**SI SE MARCA NO EN CUALQUIERA DE ESTAS PREGUNTAS, CORRIJA LA SITUACIÓN ANTES DE OPERAR ESTE APARATO DE GAS.**





## PREPARACIÓN

### VESTIMENTA:

1. Es esencial usar ropa adecuada para su seguridad. Se recomienda utilizar los medios necesarios para proteger ojos, oídos y piel. Puede requerirse equipo de seguridad adicional (como mascarilla respiratoria) cuando se usan detergentes limpiadores con esta lavadora de presión.



### PELIGRO

#### **¡RIESGO DE EXPLOSIÓN O INCENDIO!**

**TRATE DE PERCIBIR OLOR A GAS ANTES DE ENCENDER LA UNIDAD. DEBE OLER ALREDEDOR DEL ÁREA DE LA MÁQUINA PARA DETECTAR OLOR A GAS. ASEGURESE DE OLER CERCA DEL PISO, YA QUE ALGUNOS GASES SON MÁS PESADOS QUE EL AIRE Y SE ASIENTAN POR EL PISO.**

#### **SI PERCIBE OLOR A GAS:**

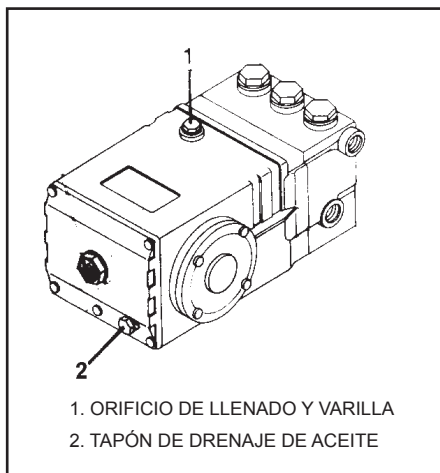
- NO ENCIENDA LA UNIDAD.
- NO OPERE NINGÚN INTERRUPTOR ELÉCTRICO.
- NO ENCIENDA NINGÚN APARATO.
- NO USE TELÉFONOS DE ÁREAS CERCANAS.
- ABANDONE EL ÁREA, VAYA A OTRO LUGAR Y USE EL TELÉFONO PARA LLAMAR A SU PROVEEDOR DE GAS.
- SIGA LAS INSTRUCCIONES DEL PROVEEDOR DE GAS.
- SI NO PUEDE COMUNICARSE CON SU PROVEEDOR DE GAS, LLAME AL DEPARTAMENTO DE.

### PREENCENDIDO:

1. Antes de encender, trate de oler alrededor de la máquina para detectar gas. Debe oler especialmente por el piso, ya que algunos gases son más pesados que el aire y se asientan. No opere el aparato si percibe olor a gas. Abandone ese lugar y comuníquese con un técnico capacitado de servicio.
2. Verifique que de “voltaje” esté encendida.
3. Debe revisarse el nivel de aceite de la bomba antes de cada uso. Revise el nivel de aceite sacando al varilla que está encima del cárter de la bomba. El nivel adecuado de aceite está marcado con una muesca en la varilla (vea la ilustración #13). Si el nivel es bajo, use aceite de bomba SAE10W-30. Vuelva a poner las tapas.

### ILUSTRACIÓN #13

#### BOMBA- DE NIVEL DE ACEITE DE ATRÁS



### DESCARGADOR:

El descargador ha sido preajustado en la fábrica y sólo debe ser ajustado por un técnico capacitado.

## PREPARACIÓN

### BOQUILLAS DE CONEXIÓN RÁPIDA:

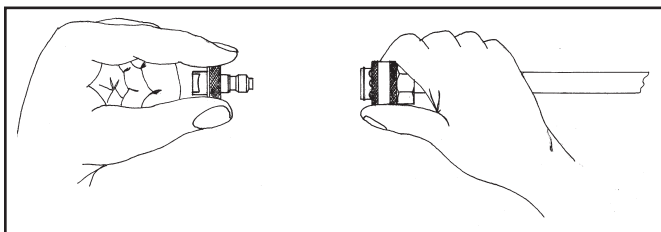
Hay varias boquillas de conexión rápida para la punta de la varilla doble de presión ajustable para cambiar el patrón de rociado o la función de detergente. Cuando use conectores rápidos, asegúrese que queden firmemente trabados (vea la ilustración #14). Si no quedan bien trabados, el agua a alta presión puede lanzar la boquilla, separándola de la varilla y causando lesiones graves o daños serios. Para determinar la amplitud del ángulo de rociado (vea la ilustración #15) consulte el número que viene estampado en la boquilla. Los primeros dos dígitos indican el ángulo de rociado en grados, es decir, 00 = 0°, 15 = 15°, 25 = 25° y 40 = 40°.

1. **La boquilla de 0° (ROJA):** Esta es una boquilla de chorro. Proporciona una corriente de agua muy concentrada. Tenga cuidado cuando use esta corriente angosta y recta. No se recomienda para superficies pintadas o de madera, ni para objetos adheridos con adhesivo al reverso. Se usa para remover hierba de cuarteaduras de aceras, manchas difíciles de superficies de concreto, mampostería, aluminio y acero, costras de lodo en equipo, y limpieza de la parte inferior de cortadoras de césped.
2. **La boquilla de 15° (AMARILLA):** Esta es una boquilla de cincelar. El rociado debe dirigirse a un ángulo de 45° a la superficie para usarse como raspador y remover pintura, grasa y suciedad. Usos: preparación de superficies (eliminación de manchas de moho y pintura descascarada), limpieza de desagües y tubos de drenaje.
3. **La boquilla de 25° (VERDE):**
  - a. Esta es una boquilla de barrido. El patrón de rociado es adecuado para desprender suciedad, lodo y cochambre. Usos: barrido de hojas" de aceras, andadores y entradas de coche, limpieza de pisos de establos, lavado de fondos de albercas, desengrasado de motores.
  - b. En unidades con opción de vapor, esta boquilla se usa para operación de vapor mojado de 250°F. Esta boquilla tiene tamaño para operación con la válvula de descargas y vapor (donde para proveer) vapor mojado de presión alta. Reemplazo de esta boquilla con unaboquilla que tiene tamaño inadecuado puede causar problemas de operación con la maquiña.
4. **La boquilla de 40° (BLANCA):** Esta es una boquilla de lavado. Esta boquilla de rociado amplio dispersa el agua a presión sobre un área amplia y se recomienda para lavado moderado. Usos: lavado de forros de paredes de aluminio, limpieza de ventanas, lavado de vehículos, lavado de aceras, andadores y patios.

### CONEXIÓN DE LA BOQUILLA:

1. Asegúrese que la pistola esté trabada en su posición cerrada (OFF) (vea la ilustración #16).
2. La boquilla de conexión rápida debe desconectarse de la varilla doble de presión ajustable en este momento. Como se muestra en la ilustración #17, tiene que mover hacia atrás el anillo de trabado que está en el conector para remover la boquilla.

**ILUSTRACIÓN #17  
CONEXIÓN DE LA BOQUILLA**



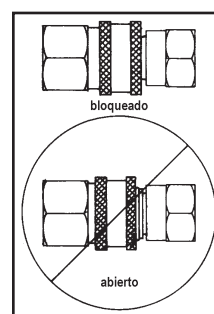
## ADVERTENCIA

**¡RIESGO DE INYECCIÓN CAUSANDO LESIÓN GRAVE!**

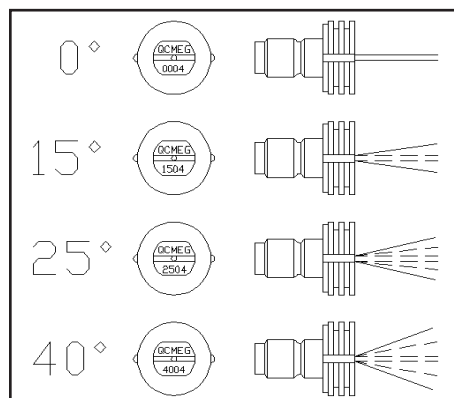
**¡LA PISTOLA DEBE SIEMPRE MANTENERSE TRABADA EN SU POSICIÓN CERRADA CUANDO NO SE USE!**

**¡NUNCA MIRE DIRECTAMENTE HACIA LA BOQUILLA, A MENOS QUE ESTÉ DESCONECTADA DEL CONJUNTO DE PISTOLA Y VARILLA!**

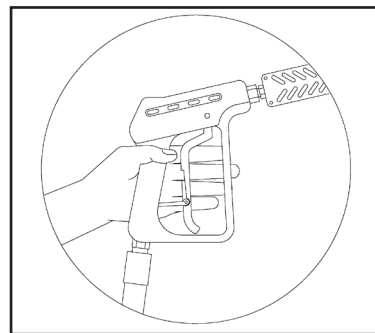
**ILUSTRACIÓN #14  
CONECTOR RÁPIDO**



**ILUSTRACIÓN #15  
BOQUILLAS DE CONEXIÓN RÁPIDA**



**ILUSTRACIÓN #16  
TRABA DE LA PISTOLA**

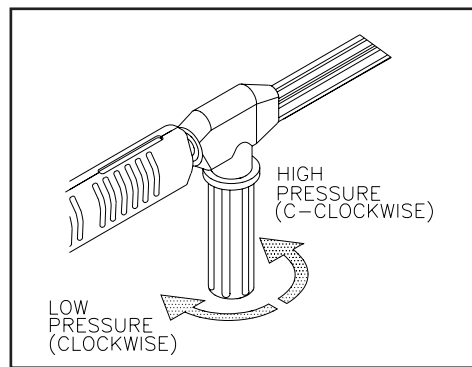


## PREPARACIÓN

### CONJUNTO DE VARILLA DOBLE DE PRESIÓN AJUSTABLE:

1. Esta unidad tiene una varilla doble de presión ajustable que permite al usuario seleccionar entre rociado de alta o baja presión. Simplemente se gira el mango ajustable de la varilla para obtener la presión deseada.
  - a. La selección de alta presión se logra girando el mango ajustable de la varilla en sentido contrario a las manecillas del reloj como se muestra en la ilustración #18.
  - b. La selección de baja presión se logra girando el mango ajustable de la varilla en el sentido de las manecillas del reloj como se muestra en la ilustración #18. Si se usa el accesorio para inyección de detergente, al llegar a una presión suficientemente baja, este inyector empezará a extraer detergente hacia el sistema. La mezcla de agua y detergente sale por la boquilla de rociado y la boquilla de detergente.

**ILUSTRACIÓN #18**  
**VARILLA DOBLE**



### INSPECCIÓN DE SEGURIDAD ANTES DEL ENCENDIDO:

1. Antes de encender la unidad, siga los siguientes pasos de inspección:
  - a. Busque olor de gas. Si detecta olor de gas, ¡NO ENCIENDA EL APARATO! Vea la sección de advertencias de "Riesgo de explosión o incendio" en la página 68.
  - b. Revise todas las conexiones de mangueras para asegurarse que estén firmemente apretadas.
  - c. Inspeccione el sistema para detectar fugas de agua o aceite.
  - d. Inspeccione el sistema para detectar torceduras, cortaduras o fugas en las mangueras de alta presión. Si encuentra una cortadura o fuga, ¡NO USE LA MANGUERA! Cambie la manguera antes de encender el aparato. Vea la sección de advertencias de "Riesgo de inyección" en la página 71. Asegúrese de reemplazar todas las piezas dañadas y corregir los problemas mecánicos antes de operar el aparato. Si requiere servicio, comuníquese a la oficina de servicio a clientes.

# **ADVERTENCIA**

**LAS SIGUIENTES PÁGINAS CONTIENEN INSTRUCCIONES SOBRE LA OPERACIÓN Y EL MANTENIMIENTO.**

**NO INTENTE OPERAR ESTA LAVADORA A PRESIÓN HASTA QUE HAYA LEÍDO Y COMPRENDIDO TODAS LAS PRECAUCIONES E INSTRUCCIONES DE SEGURIDAD SEÑALADAS EN ESTE MANUAL. SIGA INSTRUCCIONES DE MANTENIMIENTO QUE ESPECIFICAR EN ESTA MANUAL.**

**¡LA OPERACIÓN INCORRECTA DE ESTA UNIDAD PUEDE CAUSAR LESIONES GRAVES!**

**¡NO ALTERE NI MODIFIQUE ESTE EQUIPO DE NINGUNA MANERA!**

## INSTRUCCIONES DE OPERACIÓN



### PRECAUCIÓN

**RIESGO DE DAÑO A LA UNIDAD**  
**ASEGÚRESE QUE NO ESTÉN CONECTADAS LA MANGUERA, LA PISTOLA O LA BOQUILLA CUANDO SE ESTÉ PURGANDO EL SISTEMA. AL PURGAR SE LIBERAN DEPÓSITOS MINERALES DEL SISTEMA, LOS CUALES PODRÍAN OBSTRUIR O DAÑAR LA PISTOLA Y LA BOQUILLA, REQUIRIENDO REPARACIONES COSTOSAS.**

Una vez que un técnico capacitado haya instalado el aparato y usted haya completado la lista de verificación preoperativa en la página 81, ya está listo para la operación. Los siguientes pasos le ayudarán a operar su máquina con seguridad.

### ENJUAGUE DEL SISTEMA:

1. Esta unidad tiene un serpentín de acero en el que se torna marrón o negra el agua residual del uso previo. Debe evacuarse y enjuagarse el sistema antes de encenderlo. Este procedimiento se realiza sin tener instalada la pistola y la varilla doble de presión ajustable.
  - a. Verifique que esté abierta la alimentación de agua.
  - b. Muera interruptor de bomba a posición de "ON" y encienda la unidad de bomba.
  - c. Opere la unidad por 3 a 5 minutos.
  - d. Apaquee la maquiña.
  - e. Una vez que enjuague el sistema, conecte la pistola y la varilla doble de presión a la manguera de alta presión.



### PELIGRO

**¡RIESGO DE INYECCIÓN QUE PROVOCA LESIONES GRAVES!**  
**¡MANTÉNGASE COMPLETAMENTE APARTADO DE LA BOQUILLA!**  
**¡NUNCA COLOQUE LA MANO O LOS DEDOS DELANTE DE LA BOQUILLA! ¡NO DIRIJA EL CHORRO DE DESCARGA HACIA PERSONAS O MASCOTAS!**

### OPERACIÓN CON AGUA FRÍA:

1. Consulte la sección de "Precauciones de seguridad" en las páginas 68 a 73 antes de encender la unidad.
2. Busque las calcomanías de seguridad en su unidad y respete estas advertencias.
3. Asegúrese que el interruptor del quemador esté apagado (posición OFF).
4. Apunte con la pistola en una dirección segura, destrabe el gatillo de la pistola y apriételo. Apóyese bien para soportar una posible patada de la pistola cuando la bomba arranque.
5. Mueva interruptor de bomba a la posición de "ON" y encienda la unidad de bomba.
6. Una vez que haya encendido la unidad, siga los siguientes pasos con la pistola abierta.
  - a. Inspeccione el sistema para detectar fugas de agua o aceite.
  - b. Inspeccione las mangueras de alta presión para detectar fugas. Si descubre una fuga, ¡NO TOQUE LA MANGUERA EN EL LUGAR DE LA FUGA! ¡APAGUE EL APARATO INMEDIATAMENTE! Reemplace la manguera antes de usar el aparato. Vea la sección de advertencias "Riesgo de inyección" en la página 71. Asegúrese que reemplacen todas las partes dañadas y corrijan los problemas mecánicos antes de operar la unidad.
7. En este punto, la unidad está operando como lavadora de presión con agua fría. Apriete el gatillo de la pistola varias veces y trate de ajustar la presión del agua girando el mango de la varilla doble. ¡NUNCA ponga las manos o los dedos en frente de la boquilla ni mire directamente hacia la boquilla! ¡El agua a alta presión crea un riesgo de lesiones graves!
8. No permita que la unidad funcione en un modo de derivación (con el gatillo cerrado) por más de tres minutos sin accionar el gatillo de la pistola. El no seguir esta simple regla puede causar la falla prematura de los sellos del empaque de la bomba, resultando en una reparación costosa a la misma.
9. Su lavadora de presión puede ofrecerle rociado a alta presión y una gran variedad de patrones de rociado con agua fría. Si desea usar agua caliente o detergentes limpiadores, vea en la página 87 los procedimientos correctos.



### PRECAUCIÓN

**RIESGO DE DAÑO**  
**NO PERMITA QUE EL PATRÓN DE ROCÍO PERMANEZCA EN UNA ÁREA FIJA DURANTE UN PERIODO DE TIEMPO PROLONGADO. PUEDE CAUSAR DAÑOS EN ESA ÁREA.**

## INSTRUCCIONES DE OPERACIÓN

### OPERACIÓN CON AGUA CALIENTE:

1. Siga los pasos descritos para "OPERACIÓN CON AGUA FRÍA".
2. Mueva el interruptor del quemador a la posición de encendido (ON). Al inicio de encendido el agua comenzará a calentarse en 60 segundos aproximadamente y alcanzará su temperatura máxima en 3 minutos aproximadamente, siempre y cuando se mantenga oprimido el gatillo de la pistola. El quemador se apagará cuando se suelte el gatillo.
3. Ajuste el termostato en la regulación deseada.

En este punto, la unidad está operando como lavadora de presión de agua caliente. Recuerde ser extremadamente cuidadoso cuando ajuste la presión y controle el conjunto de pistola y varilla para evitar la posibilidad de quemaduras.

**NOTA:** *El quemador está equipado con un dispositivo de seguridad que cierra el gas. Si el piloto no enciende en 60 segundos, la válvula de gas se cierra (OFF). Simplemente suelte el gatillo por otros 60 segundos y repita este paso. Durante la operación, el quemador puede apagarse y encenderse ocasionalmente, debido a la regulación del termostato.*

---

### LIMPIEZA CON DETERGENTES:

Esta función está diseñada para usar detergentes suaves solamente. Debido a que la solución de limpieza recorre el serpentín del intercambiador de calor, no use compuestos corrosivos, ya que causarían daño extenso y representarían un riesgo a la seguridad.

1. Asegúrese de usar vestimenta protectora de seguridad como se indica en la página 82.
2. Prepare la solución de detergente de acuerdo con las instrucciones de su etiqueta. Nunca bombee ácidos, álcalis, fluidos abrasivos o solventes con esta unidad.
3. Sumerja completamente en la solución de detergente el extremo del colador de la manguera transparente de vinilo para detergente.
4. Ajuste la cantidad de detergente deseado girando la perilla reguladora de flujo hasta la regulación deseada.
5. Para rociar la solución, quite la traba del gatillo de la pistola y apriete el gatillo. En un momento verá salir mezcla de detergente y agua por la boquilla. Comience a rociar la porción inferior de la superficie que va a limpiar y avance hacia arriba, dando pasadas largas traslapadas. Rocíe del fondo hacia arriba para evitar franjas. Permita que se remoje brevemente. No trabaje sobre superficies calientes ni bajo la luz directa del sol para así reducir al mínimo la posibilidad que se seque el detergente, lo cual puede resultar en daños a la superficie. Recuerde limpiar una sección pequeña a la vez.
6. Para enjuagar, mueva la perilla reguladora de flujo a la posición cerrada (OFF). Tardará unos 30 segundos en purgar todo el detergente de la línea. Para obtener los mejores resultados en el enjuague, comience por arriba y avance hacia abajo.

**NOTA:** *Si máquina tiene caja (s) de remoto, lea p. 87 para información de detergente de solenoide.*

7. Después de cada uso haga pasar por medio de sifón un galón de agua a través del sistema de detergente. Esto previene la posibilidad de corrosión o acumulación de residuos de detergente que causan problemas mecánicos durante usos subsecuentes.

**NOTA:** *La perilla reguladora de flujo o detergente solenoide de detergente DEBE ponerse en la posición cerrada (OFF) cuando no se use la máquina o cuando el colador no esté totalmente sumergido en la solución. Si no se cierra, la bomba perderá su cebado y no se obtendrá descarga de la boquilla. Esta condición dañará la bomba durante un tiempo prolongado.*



### ADVERTENCIA

**¡RIESGO DE QUEMADURAS!**  
**LA TEMPERATURA DEL AGUA PODRÍA SUBIR A UN NIVEL MUY ALTO DURANTE LA OPERACIÓN CON AGUA CALIENTE. TENGA PRECAUCIÓN CUANDO AJUSTE LA PRESIÓN O CUANDO CONTROLE EL CONJUNTO DE PISTOLA Y VARILLA.**



### IMPORTANTE

**CUANDO SE TRABAJA BOMBEO AGUA FRÍA HACIA EL INTERCAMBIADOR DE CALOR Y EL QUEMADOR ESTÁ ENCENDIDO, HABRÁ CONDENSACIÓN Y GOTEO EN EL SERPENTÍN. ESTO TENDRÁ LA APARIENCIA DE UNA FUGA DEL SERPENTÍN PARTICULARMENTE EN TIEMPO FRÍO Y HÚMEDO.**



## INSTRUCCIONES DE OPERACIÓN

### APAGADO:

1. Si el interruptor del quemador está todavía encendido, apáguelo.
  2. Apriete el gatillo y descargue agua por unos tres minutos para enfriar el intercambiador de calor y la manguera de alta presión (el enfriamiento insuficiente de la manguera de alta presión causará desgaste excesivo y rotura eventual de la manguera).
  3. Mueva interruptor de bomba a posición de "OFF" para parar la unidad de bomba. Si la máquina tiene la opción de apagarse de encendido retardada, espere para un descanso de reloj automático y apague la máquina. Vea abajo para más información de apagarse de encendido retardada.
  4. Oprima el gatillo de la pistola momentáneamente para liberar la presión atrapada.
- 

### OPCIONES:

#### CAJAS DE REMOTOS

La opción de caja de remoto permita control de la unidad de no más de cuatro terminales de trabajo. Los terminales tienen cableado en paralelo para permitir todo control de unidad de alguno terminal en alguna vez del operador. Solenoide químico que agregar a la unidad principal y interruptores de control en las cajas de remotos controlar los detergentes.

La corriente máxima para cableado remoto como siguiente:

- 14 Cableado de indicador - 200 pies
- 16 Cableado de indicador - 100 pies

#### APAGADO DEL ENCENDIDO RETARDADO

La opción de apagado del encendido retardado provee un apagado automático ajustable para la principal unidad. La fábrica preprogramar los intervalos de apagado del encendido retardado en dos un medio minutos. Esta opción anula la operación del interruptor de ON/OFF de la bomba para control de apagado del motor de bomba.

#### AUTO - ENCENDIDO / PARAR

La opción de auto encendido / parar provee un apagado automático ajustable y un interruptor de presión para encender una otra vez automáticamente la unidad cuando ha apretado el gatillo de la pistola. La fábrica preprogramar los intervalos de apagado del encendido retardado en dos un medio minutos. Esta opción no es de conseguir con opción de caja de remoto o opción de descarga de activación del flujo.

#### VAPOR - 250°F

La opción de vapor de 250°F provee salida de vapor mojado de la unidad. Con ajustados a la válvula de vapor en la panel de control principal y usando la boquilla de vapor que se incluye, se puede obtener vapor de 250°F. El tamaño de boquilla de vapor es crítico para operación adecuado de la opción.



## MANTENIMIENTO

### MANTENIMIENTO PREVENTIVO:

**FUGAS:** Elimine con prontitud cualquier fuga que encuentre en el sistema de bombeo removiendo las piezas sospechosas y aplicando sellador en las roscas antes de reinstalar.

**NOTA:** Si usa cinta de teflón, asegúrese que no entre cinta a la tubería para prevenir la posibilidad de taponamientos en las boquillas.

**ACOPLADORES RÁPIDOS:** Hay sellos anulares (o-ring) dentro de los acopladores, los cuales se pueden deteriorar. Para cambiarlos, simplemente instale un sello de repuesto para corregir la fuga (vea la ilustración #16). Puede adquirir sellos anulares con su distribuidor.

**BOQUILLA:** El flujo del agua a través de la boquilla erosiona el orificio, agrandándolo y causando como resultado pérdida de presión. Deben cambiarse las boquillas siempre que la presión baje a menos del 85% del máximo. La frecuencia de reemplazo depende de variables como el contenido de minerales en el agua y el número de horas que se usa la boquilla.

### BOMBA:

1. Cambie el aceite de la bomba después de las primeras 50 horas de operación. Después del cambio inicial, se recomiendan intervalos de 3 meses o 250 horas. Si el aceite parece sucio o lechoso, pueden requerirse cambios más a menudo.
2. Busque la manguera de drenaje de aceite de la bomba.
3. Use un recipiente vacío para atrapar el aceite y quite el tapón de drenaje (vea la ilustración #17).
4. Permita que el aceite drene de la bomba y vuelva a poner el tapón. Elimine el aceite usado de acuerdo con los reglamentos locales, estatales y nacionales.
5. Llene el cárter de la bomba hasta que el nivel llegue a la muesca de la varilla usando aceite de bomba SAE10W-30. No llene demasiado.

**INSPECCIÓN DE LA BANDA:** Asegúrese de que la unidad está apagada. Quite el panel lateral o levante la tapa a inspeccione la correa en "V" para ver el desgaste y la tensión. Si es necesario cambiar o apretar la correa, efectúe el procedimiento indicado abajo, vea la ilustración #18.

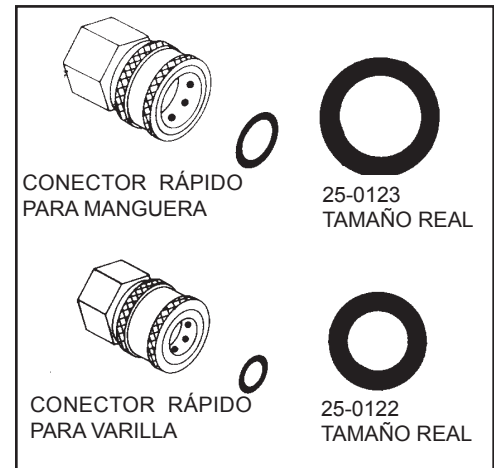
#### CAMBIO:

1. Afloje los cuatro tornillos de montaje de la bomba (A).
2. Afloje las tuercas de los tornillos de alineación (B1 y B2) una pulgada (2.5 cm) aprox.
3. Deslice la bomba hacia el motor para aflojar las correas.
4. Retire y cambie la correa.

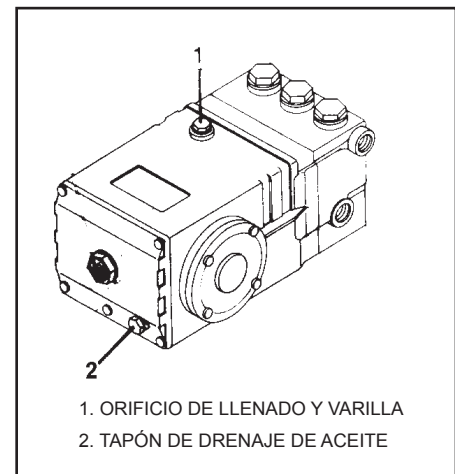
**APRIETE:** (Si no cambió la correa, va a necesitar aflojar las tuercas de los tornillos de alineación (B1 y B2) antes de proseguir.)

1. Apriete el tornillo de alineación B2. La bomba se desplaza hacia la izquierda hasta que haya tensión en la correa. Después apriete la tuerca B2.
2. Apriete el tornillo de alineación B1, hasta que queden alineadas ambas poleas. (Use una regla para la alineación.)
3. Oprima la correa para verificar la deflexión y la tensión. Debe haber una deflexión de 1/4" (6 mm) a 1/2" (12 mm) si la tensión está correcta.
4. Si están alineadas las poleas y está correcta la tensión, apriete la tuerca B1 y los cuatro tornillos de montaje de la bomba (A).
5. Si no está correcta la tensión, repita los pasos 6 y 7 hasta lograr la alineación y la tensión correctas. Apriete los cuatro tornillos de montaje (A) al terminar.
6. Afloje la tuerca B2, apriete el tornillo B2 y luego apriete aquella.
7. Afloje la tuerca B1, apriete el tornillo B1 y luego apriete aquella. 7. Loosen B1 nut, tighten B1 bolt, tighten B1 nut.

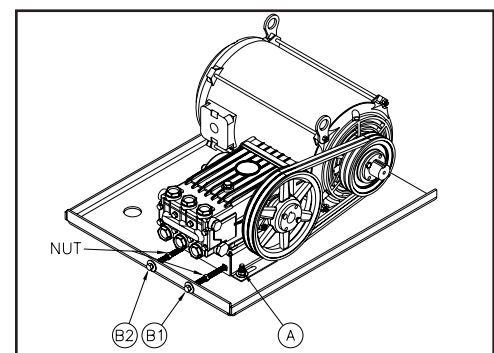
### ILUSTRACIÓN #16 ACOPLADORES RÁPIDOS



### ILUSTRACIÓN #17 DRENAJE DE ACEITE DE LA BOMBA



### ILUSTRACIÓN #18 AJUSTE DE TENSIÓN DE CORREA



## MANTENIMIENTO

### DESCALCARIZACIÓN DEL SERPENTÍN:

Una pérdida de presión puede significar que necesita descalcarizarse el serpentín. Efectúe periódicamente este procedimiento.

1. Mezclar el polvo de solución no cáusticos / líquido en el tanque de flotación de acuerdo a las instrucciones del paquete.
2. Retire la boquilla de la caña. Coloque una media de nailon sobre el conjunto de la caña para recoger toda basura, y luego coloque el conjunto de la caña en el tanque de flotador.
3. Ponga el interruptor en la posición "Pump" (bomba). El agua circula a través del sistema y regresa al tanque de flotador. Permita que la circulación continúe de 2 a 4 horas.
4. Gire el interruptor a la posición "OFF" (apagado). Drene y limpie el tanque de flotador. Retire la media de nailon y limpie el conjunto de la caña.
5. Lave todo el sistema con agua dulce limpia y luego vuelva a colocar la boquilla en el conjunto de la caña.
6. Deseche la solución de descalcarización según los reglamentos locales, estatales y nacionales.

**PROBAR VOLTAJE Y CONSUMO DE CORRIENTE:** Con un voltímetro y un amperímetro pruebe la máquina para ver el voltaje y el amperaje. Si no cuenta con estos instrumentos, o no sabe como usarlos, entonces este procedimiento debe ser efectuado por un técnico de servicio autorizado.

## MANTENIMIENTO

### ACONDICIONAMIENTO PARA BAJAS TEMPERATURAS:

Para propósitos de almacenamiento y transportación a temperaturas inferiores a la de congelación, es necesario acondicionar esta unidad. Debe protegerse para las más bajas temperaturas posibles, por las siguientes razones:

1. Si se congela alguna pieza del sistema de bombeo, puede acumularse una presión excesiva en la unidad, lo cual puede causar un reventón de la unidad y las posibles consecuentes lesiones tanto del operario como de los circunstantes.
2. Si se congela el sistema de bombeo de esta unidad, puede quedar permanentemente dañado. **LOS DAÑOS POR CONGELACIÓN NO ESTÁN CUBIERTOS POR LA GARANTÍA.**

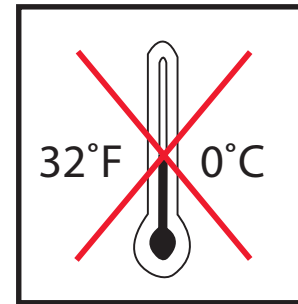
Si debe almacenar la unidad en un área en la que la temperatura pueda descender más allá de 32° F (0° C), puede proteger la unidad siguiendo uno de los procedimientos descritos abajo.

#### SOPLADO CON AIRE:

1. Retire la boquilla del conjunto de la caña. Oprima el gatillo hasta que cese de salir agua por el conjunto de la caña.
2. Conecte un adaptador para aire de una manguera de aire al accesorio del colador del tanque de flotador.
3. Circule aire comprimido por el sistema para eliminar del mismo toda el agua presente.

#### SOLUCIÓN ANTICONGELANTE:

1. Vierta una mezcla de agua y anticongelante al 50/50 en el tanque de flotador.
2. Coloque el colador del detergente en una solución de anticongelante al 100%.
3. Ponga el interruptor en la posición "Pump" (bomba). Permita que el anticongelante se introduzca en el sistema hasta que salga solución de anticongelante por la salida. (Para asegurarse de que el serpentín esté acondicionado para bajas temperaturas, la solución de anticongelante debe salir por la salida. Agregue una mezcla al 50/50 al tanque de flotador si es necesario.)



## MANTENIMIENTO

### CUADRO DE MANTENIMIENTO PREVENTIVO PARA EL OPERADOR

PROCEDIMIENTO	DIARIAMENTE	3 MESES	6 MESES	9 MESES	12 MESES
Inspección de fuga de gas	X				
Inspección de fuga de agua	X				
Inspección de fuga de aceite					
Inspección de conectores y mangueras	X				
Revisión de nivel de aceite de bomba	X				
Cambio de aceite de bomba*		X	X	X	X
Revisión de tensión de correa		X	X	X	X
Cambio de boquilla de alta presión		X	X	X	X
Prueba de presión de agua			X		X
Prueba de temperatura de agua			X		X

\*El aceite de la bomba debe cambiarse inicialmente a las 50 horas de operación y subsecuentemente cada 250 horas o 3 meses, lo que ocurra primero.

### CUADRO DE MANTENIMIENTO PARA EL DISTRIBUIDOR

PROCEDIMIENTO	12 MESES
Inspección de suministro de gas	X
Limpieza de tubo de goteo de línea de gas	X
Inspección del quemador	X
Inspección de ventilación de escape	X
Desincrustación del serpentín*	X
Prueba de consumo de voltaje y amperaje	X

\* La acumulación de incrustaciones variará dependiendo del contenido de minerales en el agua y la frecuencia de uso. Puede variar desde una limpieza cada mes hasta una limpieza cada año.

## DIAGNÓSTICO Y SOLUCIÓN DE FALLAS

SEÑAL DE FALLA	CAUSA PROBABLE	SOLUCIÓN
El motor no funciona	Sobrecarga del circuito.	Determine si está encendida de voltaje. Si no está encendida, revise el disyuntor o fusible.
	Sobrecarga del circuito secundario.	Revise los fusibles primarios y secundarios del transformador.
	Sobrecarga del motor.	Restablezca el botón de sobrecarga térmica en el motor de la bomba o en la caja de interruptores eléctricos. Llame a la oficina de servicio a clientes.
No hay descarga en la boquilla cuando se aprieta el gatillo.	Suministro de agua cerrado.	Revise el suministro de agua a la entrada. Aumente el diámetro de manguera para tener suministro adecuado de agua (20 PSI, 6 GPM).
Presión baja o fluctuante.	Suministro de agua inadecuado. Entra aire a la bomba (cebado eliminado).	Apriete todas las conexiones de alimentación de agua. Elimine las fugas de la línea de alimentación.
	La válvula de detergente de alta presión está abierta sin tener el extremo de la manguera sumergido en el detergente (causa fuga de vacío y se elimina de cebado).	Cierre la válvula o sumerja la manguera de detergente en la solución. Vuelva a cebar la bomba.
	Doblez en la manguera de descarga de alta presión.	Cambie la manguera de alta presión que tiene el doblez.
	El mango ajustable en la varilla no está en modo de alta presión.	Gire el mango en sentido contrario a las manecillas del reloj para pasar a alta presión.
	Boquilla taponada o desgastada.	Quítela, límpiela o cámbiela.
	Válvula dañada o taponada en la bomba.	Quítela, límpiela o cámbiela.
	Empaques desgastados en la bomba.	Reemplace los empaques.
La válvula de descarga/derivación no opera correctamente.	Repare o reemplace.	
El aceite parece lechoso o espumoso.	Agua en el aceite.	Cambie el aceite de la bomba. Llene hasta el nivel adecuado.
Fuga de aceite de la bomba.	Sellos desgastados.	Llame a la oficina de servicio a clientes.
No se extrae el detergente por sifón.	El colador de detergente no está completamente sumergido en la solución de detergente.	Revise y sumerja si es necesario.
	Colador de detergente taponado.	Inspeccione, limpie o cambie.
	Manguera de detergente cortada, obstruida o doblada. Perilla reguladora de flujo de detergente en posición cerrada (OFF).	Inspeccione, limpie o cambie. Abra la perilla reguladora. Consulte la sección "Limpieza con detergentes" en la página 87.
El agua retorna al recipiente de detergente.	Bola y resorte del colador ausentes o corroidos.	Desmonte, limpie o reemplace.
El agua fluye por la boquilla cuando la pistola tiene el gatillo trabado en su posición cerrada (OFF).	Falla de funcionamiento en la pistola.	Repare o reemplace.

## DIAGNÓSTICO Y SOLUCIÓN DE FALLAS

SEÑAL DE FALLA	CAUSA PROBABLE	SOLUCIÓN
Antes de encender, se percibe olor a gas alrededor de la máquina.	Hay fuga de gas.	Vaya a otro edificio y llame a su proveedor de gas para pedir instrucciones, o si no puede localizar a su proveedor de gas, llame al departamento de bomberos.
El quemador no enciende.	<p>El interruptor del quemador no está en la posición de encendido (ON).</p> <p>La perilla del termostato está en la posición cerrada (OFF).</p> <p>La pistola está cerrada.</p> <p>Falla de la vacío o posición del interruptor.</p> <p>Se activó el cierre automático de seguridad de la válvula.</p> <p>Suministro de gas inadecuado.</p> <p>Obstrucción de la línea de gas.</p> <p>Falla del módulo de ignición.</p> <p>Falla de la válvula de gas.</p>	<p>Verifique la posición del interruptor.</p> <p>Verifique la posición de la perilla del termostato.</p> <p>Abra la pistola para crear presión.</p> <p>Repare o reemplace.</p> <p>Suelte el gatillo de la pistola o ponga el interruptor del quemador en la posición cerrada (OFF) por 60 segundos.</p> <p>Revise el suministro de gas.</p> <p>Verifique la presión del gas.</p> <p>Reemplace el módulo.</p> <p>Reemplace el módulo.</p>
Gotea agua bajo el serpentín del intercambiador de calor.	<p>Condensación.</p> <p>Rotura en el serpentín del intercambiador de calor.</p>	<p>Es común que ocurra (vea la nota "IMPORTANTE" de la página 87).</p> <p>Reemplace el serpentín.</p>



## **DECLARACIÓN DE GARANTÍA PARA TODAS LAS LAVADORAS SERIE HEG DE GAS NATURAL Y PROPANO LÍQUIDO PARA LAVADO A PRESIÓN CON AGUA CALIENTE**

El manufacturar garantiza todas las piezas (excepto las piezas a las cuales se hace referencia más abajo) de su nueva lavadora de presión contra defectos en sus materiales o su manufactura durante los periodos siguientes:

Para vida (limitado):

Colector de bomba

Por diez (10) años (limitado) a partir de la fecha original de compra:

La bomba de alta presión

Por cinco (5) años (limitado) a partir de la fecha original de compra:

El serpentín del intercambiador de calor

Por dos (2) años (limitado) a partir de la fecha original de compra:

Protecciones o guardas      Tubería  
Marcos                              Poleas

Por un (1) año (limitado) a partir de la fecha original de compra:

Válvula de gas                      Control de ignición  
Termostato ajustable              Transformador de control

Por noventa (90) días a partir de la fecha original de compra:

Válvula de descargas              Interruptor de presión  
Asamblea de arranque              Termostato de límite arriba

Por treinta (30) días a partir de la fecha original de compra:

Manguera de alta presión              Pistola de gatillo  
Coladores/Filtros

Durante el período de garantía, se repararán o reemplazarán a discreción las piezas defectuosas que no estén sujetas a un desgaste normal. El reembolso en cualquier caso se limitará al precio de compra.

### **EXCLUSIONES**

1. El motor está cubierto bajo una garantía por separado que su respectivo fabricante ofrece, y queda sujeto a los términos establecidos en dicha garantía.
2. Piezas sujetas a desgaste normal:  
Empaques de la bomba              Boquillas rociadoras  
Válvulas de la bomba              Válvulas de detergente      Conectores rápidos
3. Esta garantía no cubre piezas dañadas a causa de desgaste normal, aplicación incorrecta, uso incorrecto, u operación a velocidades, presiones o temperaturas diferentes a las recomendadas. Tampoco se garantizan las piezas dañadas o desgastadas debido al uso de líquidos cáusticos o a la operación en ambientes abrasivos o corrosivos, o bajo condiciones que causen cavitación de la bomba. También se anula la garantía si no se siguen los procedimientos recomendados de operación y mantenimiento.
4. El uso de piezas que no sean genuinas anulará la garantía. Las piezas enviadas con porte prepagado a la fábrica o a un centro de servicio autorizado serán inspeccionadas y reemplazadas sin cargo alguno si se encuentran defectuosas y están cubiertas por la garantía. No hay otras garantías que se extiendan más allá de la descripción presentada aquí. Manufacturar no será responsable bajo ninguna circunstancia por pérdida de uso del aparato, pérdida de tiempo o renta, inconveniencia, pérdida comercial o daños consecuentes.





