

OPERATOR'S MANUAL FOR
PORTABLE/WALL MOUNT/HAND CARRY/ALUMINUM
ELECTRIC DRIVE/DIRECT DRIVE
COLD WATER PRESSURE WASHER



CAUTION

RISK OF INJURY!

READ MANUAL BEFORE OPERATING!

This manual is an important part of the pressure washer and
must remain with this unit!

TABLE OF CONTENTS

INTRODUCTION 3
! IMPORTANT ! 3
IMPORTANT SAFETY WARNINGS..... 4
ELECTRICAL PRECAUTIONS: 4
SPRAY PRECAUTIONS 5
MISCELLANEOUS SAFETY PRECAUTIONS 5
MISCELLANEOUS SAFETY PRECAUTIONS, CONT'D..... 6
DETERGENT CLEANING PRECAUTIONS..... 7
! SAVE THESE INSTRUCTIONS ! 7
FEATURES SMALL CA ELECTRIC 8
FEATURES LARGE CA ELECTRIC 9
SAFETY DECALS & PLACEMENT 10
INSTALLATION & PREPARATION 11
ATTIRE: 11
SETUP: 11
WALL MOUNT OPTION: **SEE PAGE 19.** 11
POWER CORD CONNECTION: 11
NOZZLE REVIEW: 12
NOZZLE CONNECTION: 13
WATER SUPPLY: 13
UNLOADER: 13
THERMAL RELIEF VALVE: 14
PRE-START INSPECTION PROCEDURES: 14
OPERATING INSTRUCTIONS 15
PRIMING THE PUMP: 15
START-UP: 15
CLEANING WITH DETERGENTS: 16
SHUTDOWN: 16
STORAGE & MAINTENANCE 17
SPECIFIC MAINTENANCE: 17
WINTERIZING: 17
STARTING UNIT AFTER EXTENDED STORAGE: 18
WALL MOUNT OPTIONS..... 19
TROUBLESHOOTING 20
STATEMENT OF WARRANTY 22

⚠ WARNING

⚠ **WARNING:** This product can expose you to chemicals including Lead, which is known to the State of California to cause cancer and birth defects or other reproductive harm. For more information go to www.P65Warnings.ca.gov

INTRODUCTION

Congratulations on the purchase of your pressure washer! You can be assured your pressure washer was constructed and designed with quality and performance in mind. Each component has been rigorously tested to ensure the highest level of acceptance.

This operator's manual was compiled for your benefit. By reading and following the simple safety, installation, operation, maintenance and troubleshooting steps described in this manual, you will receive years of trouble free operation from your pressure washer. The contents of this manual are based on the latest product information available at the time of publication. The manufacturer reserves the right to make changes in price, color, materials, equipment, specifications or models at any time without notice.

! IMPORTANT !

These paragraphs are surrounded by a "SAFETY ALERT BOX". This box is used to designate and emphasize Safety Warnings that must be followed when operating this pressure washer.

Accompanying the Safety Warnings are "signal words" which designate the degree or level of hazard seriousness. The "signal words" used in this manual are as follows:

DANGER: Indicates an imminently hazardous situation which, if not avoided, **WILL** result in death or serious injury.

WARNING: Indicates a potentially hazardous situation which, if not avoided, **COULD** result in death or serious injury.

CAUTION: Indicates a potentially hazardous situation which, if not avoided **MAY** result in minor or moderate injury.

The symbols set to the left of this paragraph are "Safety Alert Symbols". These symbols are used to call attention to items or procedures that could be dangerous to you or other persons using this equipment.



ALWAYS PROVIDE A COPY OF THIS MANUAL TO ANYONE USING THIS EQUIPMENT. READ ALL INSTRUCTIONS BEFORE OPERATING THIS PRESSURE WASHER AND ESPECIALLY POINT OUT THE "SAFETY WARNINGS" TO PREVENT THE POSSIBILITY OF PERSONAL INJURY TO THE OPERATOR.

Once the unit has been removed from the box, immediately write in the serial number of your unit in the space provided below.

SERIAL NUMBER _____

Inspect for signs of obvious or concealed freight damage. If damage does exist, file a claim with the transportation company immediately. Be sure that all damaged parts are replaced and that the mechanical problems are corrected prior to operation of the unit. If you require service, contact Customer Service at 800-553-9053.

Please have the following information available for all service calls:

1. Model Number
2. Serial Number
3. Date and Place of Purchase



IMPORTANT SAFETY WARNINGS



ELECTRICAL PRECAUTIONS:

RISK OF ELECTRIC SHOCK OR ELECTROCUTION:

WARNING: SERIOUS INJURY OR DEATH COULD OCCUR IF THE PRESSURE WASHER IS NOT PROPERLY GROUNDED. YOUR PRESSURE WASHER IS POWERED BY ELECTRICITY AND MAY CAUSE ELECTRIC SHOCK OR ELECTROCUTION IF NOT USED PROPERLY.

1. This product must be grounded. Make sure the pressure washer is equipped with a GFCI built into the power supply cord. If this is not available, the pressure washer must be plugged into a receptacle that is protected by a GFCI. Disconnect when not in use.
2. If your unit is equipped with a GFCI, DO NOT drop the GFCI as damage could result. If the GFCI is accidentally dropped, be certain to test the GFCI before using to ensure it is working properly. (Follow instructions on GFCI for test procedures.)
3. Always be certain the unit is receiving proper voltage. Disconnect when not in use.
4. DO NOT modify the plug provided with the product. If it will not fit the outlet, have a proper outlet installed by a qualified electrician. DO NOT use any type of adapter.

WARNING: ELECTRICAL SHOCK MAY OCCUR FROM ELECTRICAL CORD.

5. Check power cord for signs of crushing, cutting or heat damage. If replacement of plug or cord is needed use only identical replacement parts
6. DO NOT use extension cords with this pressure washer.
7. Keep all connections dry and off the ground. Do not allow electrical cords to lay in water or in such a position where water could come in contact with them. Do not touch plug with wet hands.
8. DO NOT pull on the electrical cord to disconnect from the outlet.

WARNING: ELECTRICAL SHOCK MAY OCCUR IF PRESSURE WASHER IS NOT OPERATED PROPERLY.

9. DO NOT direct spray on or into electrical installations of any kind! This includes electrical outlets, light bulbs, fuse boxes, transformers, the unit itself, etc.
10. DO NOT allow metal components of the pressure washer to come in contact with live electrical components.
11. Never operate the pressure washer with safety guards/covers removed or damaged.

WARNING: SERIOUS INJURY OR DEATH MAY OCCUR IF UNQUALIFIED PERSONS ATTEMPT ELECTRICAL REPAIRS.

12. Any electrical wiring or repairs performed on this pressure washer should be done by Authorized Service Personnel in accordance with National and Local electrical codes.
13. Before opening any electrical enclosure, always shut off the pressure washer, relieve pressure and unplug the pressure washer from the power source. Allow the pressure washer to cool down. Never assume the pressure washer is safe to work on just because it is not operating. It could restart at any time! Service in a clean, dry, flat area.

⚠ IMPORTANT SAFETY WARNINGS ⚠

SPRAY PRECAUTIONS

RISK OF INJECTION OR SEVERE CUTTING INJURY:

⚠ DANGER: KEEP CLEAR OF NOZZLE. DO NOT DIRECT DISCHARGE STREAM AT PERSONS OR PETS. WHEN USING THIS PRODUCT, BASIC PRECAUTIONS SHOULD ALWAYS BE OBSERVED, INCLUDING THE FOLLOWING:

1. Keep clear of the nozzle and spray! Never put your hand, fingers or body directly over the spray nozzle.
2. Never point the high pressure spray at yourself or anyone else.
3. This product is to be used only by trained operators.
4. Always keep operating area clear of all persons.
5. Never allow children or adolescents to operate this unit.
6. SEEK EMERGENCY MEDICAL CARE if the spray appears to have penetrated the skin! DO NOT TREAT AS A SIMPLE CUT!
7. High pressure hoses should be inspected daily for signs of wear. If evidence of failure exist, promptly replace all suspect hoses to prevent the possibility of injury from the high pressure spray. If a hose or fitting is leaking, NEVER PLACE YOUR HAND DIRECTLY ON THE LEAK.
8. NEVER operate the gun with the trigger wired in the open position. To prevent accidental discharge, the trigger gun should be securely locked when not in use.
9. Do not move the unit by pulling on the hose
10. Before removing the spray nozzle or servicing the unit, ALWAYS shut off the unit and trigger the gun to release trapped pressure. (Even after you shut off the unit, there is high pressure water left in the pump, hose and gun until you release it by triggering the gun.)
11. Do not leave pressurized unit unattended. Shut off the pressure washer and relieve trapped pressure before leaving.

MISCELLANEOUS SAFETY PRECAUTIONS

RISK OF EXPLOSION OR FIRE:

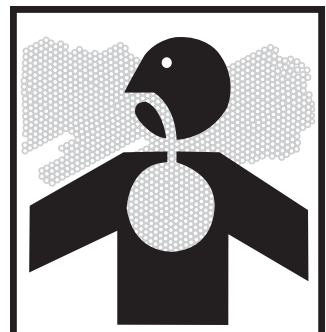
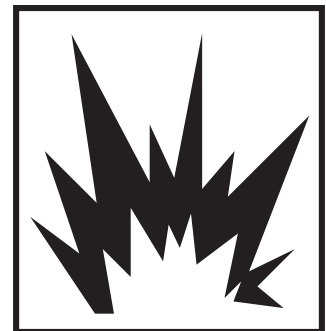
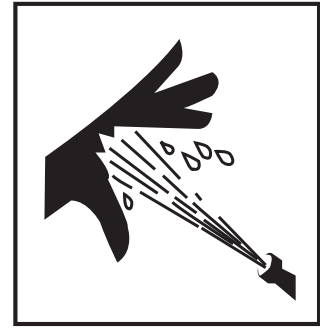
⚠ WARNING: SERIOUS INJURY OR DEATH MAY OCCUR FROM NORMAL SPARKS IN THE MOTOR AND ELECTRICAL SYSTEM.

1. DO NOT operate unit in an area where flammable gas vapors may be present. An electric spark may cause an explosion or fire.
2. DO NOT spray flammable liquids. Do not spray in an area containing combustible dust, liquids or vapors.

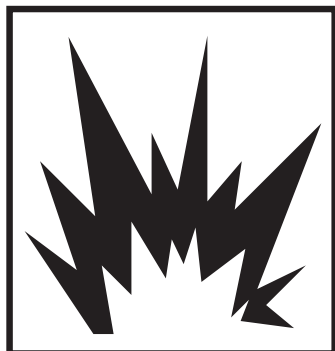
RISK OF ASPHYXIATION:

⚠ WARNING: SERIOUS INJURY OR DEATH MAY OCCUR FROM INHALING DANGEROUS VAPORS.

1. Follow all safety instructions provided with the materials you are spraying. Use of a respirator may be required when working with some materials. Do not use this pressure washer to dispense hazardous detergents.



⚠ IMPORTANT SAFETY WARNINGS ⚠



MISCELLANEOUS SAFETY PRECAUTIONS, CONT'D.

RISK OF BURSTING:

⚠ WARNING: SERIOUS INJURY MAY OCCUR FROM A PRESSURE WASHER MALFUNCTION OR EXPLODING ACCESSORIES IF INCORRECT SYSTEM COMPONENTS, ATTACHMENTS OR ACCESSORIES ARE USED.

1. Never make adjustments to the factory set pressures.
2. Never exceed manufacturers maximum allowable pressure rating of attachments.
3. Use only manufacturer recommended repair parts for your pressure washer.

⚠ WARNING: SERIOUS INJURY OR DEATH MAY OCCUR IF ATTEMPTING TO START THE PRESSURE WASHER WHEN THE PUMP IS FROZEN.

4. In freezing temperatures, the unit must always be warm enough to ensure there is no ice formation in the pump. Do not start the pressure washer if it has been transported in an open or underheated vehicle without first allowing the pump to thaw.



RISK FROM MOVING PARTS:

⚠ WARNING: SERIOUS INJURY MAY OCCUR TO THE OPERATOR FROM MOVING PARTS ON THE PRESSURE WASHER.

1. Never make adjustments to the unit while it is connected to the power source.
2. Do not operate the unit without all protective covers in place.
3. Before servicing the pressure washer, turn the unit off, disconnect from the power source, relieve the water pressure and allow the unit to cool down. Service in a clean, dry, flat area.
4. Follow the maintenance instructions specified in the manual.



RISK OF BODILY INJURY:

⚠ WARNING: SERIOUS INJURY CAN OCCUR FROM LOOSE DEBRIS BEING PROPELLED AT HIGH SPEED FROM THE SPRAY GUN.

1. Always wear protective goggles when operating the unit to shield the eyes from flying debris and detergents.
2. Do not direct spray toward fragile materials such as glass. Shattering could result in serious injury.

⚠ WARNING: INJURY MAY OCCUR IF THE OPERATOR LOSES BALANCE CAUSED BY THE THRUST OF WATER TRAVELING THROUGH THE SPRAY NOZZLE.

1. Stay alert-watch what you are doing. Do not operate the unit when fatigued or under the influence of alcohol or drugs.
2. Never squeeze the trigger unless securely braced. DO NOT overreach or stand on unstable support. Wet surfaces can be slippery, wear protective foot gear and keep good footing and balance at all times. Never trigger the gun while on a ladder or roof.

⚠ WARNING: INJURY MAY OCCUR FROM THE PRESSURE WASHER.

1. Always hold on firmly to the gun/lance assembly when starting and operating the unit. Failure to do so can cause the lance to fall and whip dangerously.
2. Know how to stop the pressure washer and bleed pressures quickly. Be thoroughly familiar with controls.

! IMPORTANT SAFETY WARNINGS !

DETERGENT CLEANING PRECAUTIONS

RISK OF BODILY INJURY:

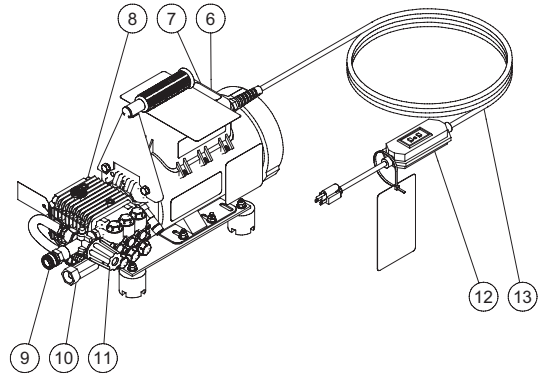
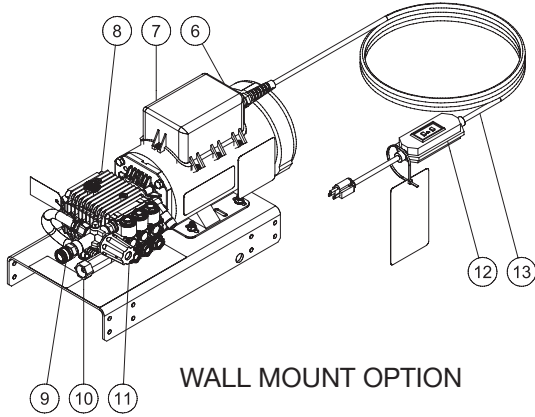
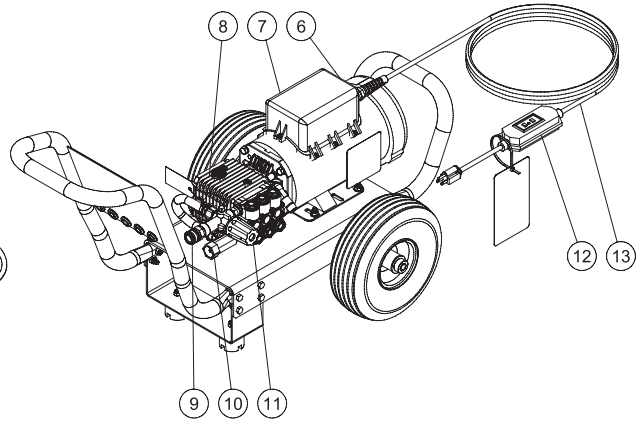
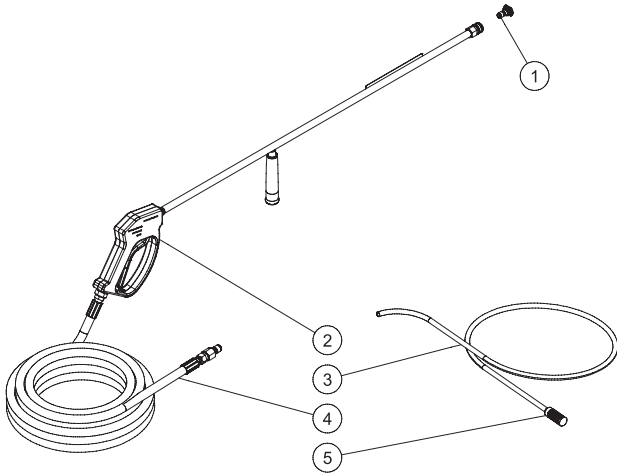
! WARNING: SERIOUS INJURY OR DEATH MAY OCCUR FROM DETERGENTS CONTACTING THE SKIN.

1. DO NOT use solvents, highly corrosive detergents or acid type cleaners with this pressure washer. Use only mild detergents.
2. KNOW YOUR DETERGENTS! Be prepared to tell a physician exactly what you are using in the event of an emergency. Read the Material Safety Data Sheet (MSDS) provided with your detergent and all detergent labels. Follow all appropriate instructions regarding preparation, use, safety and transportation.
3. Protective equipment such as rubber suits, gloves and respirators are advisable, especially when using cleaning detergents.
4. Keep all detergents out of the reach of children.



! SAVE THESE INSTRUCTIONS !

FEATURES SMALL CA ELECTRIC



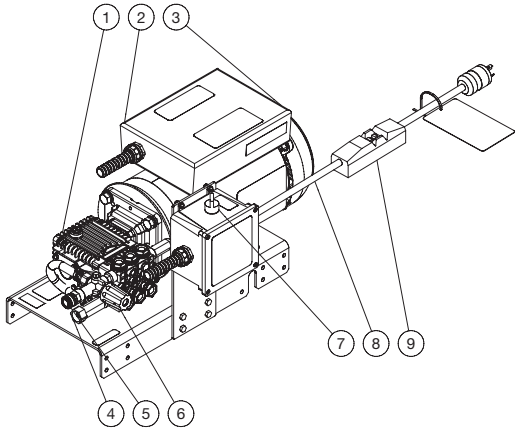
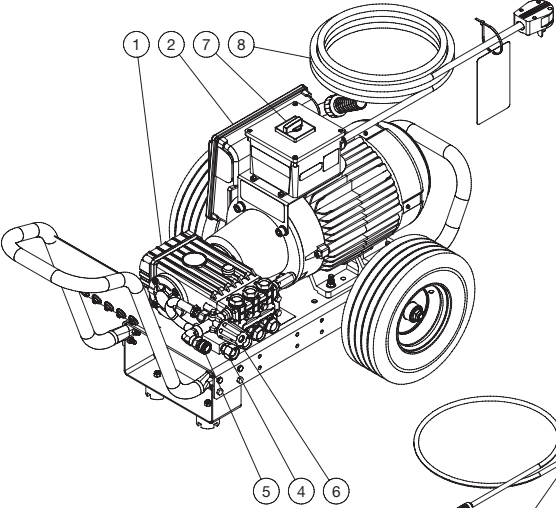
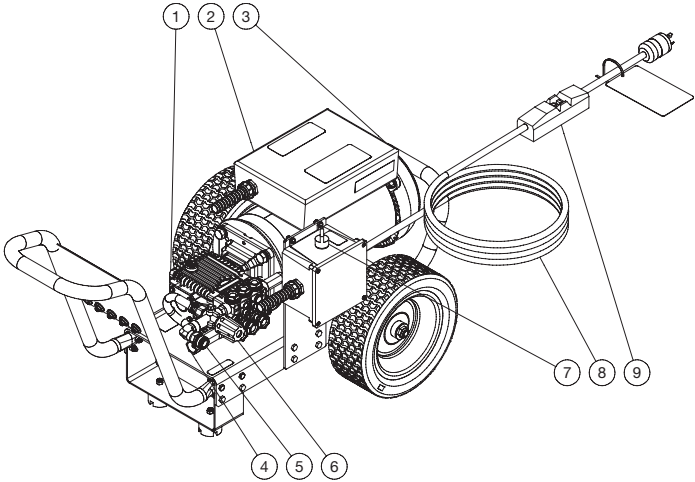
CA-SM GENERIC ELECTRIC-FEATURES 120717 ADR

- 1. Quick Connect Nozzle
- 2. Gun Assembly
- 3. Detergent Hose
- 4. High Pressure Discharge Hose
- 5. Detergent Strainer
- 6. ON/OFF Switch
- 7. Motor

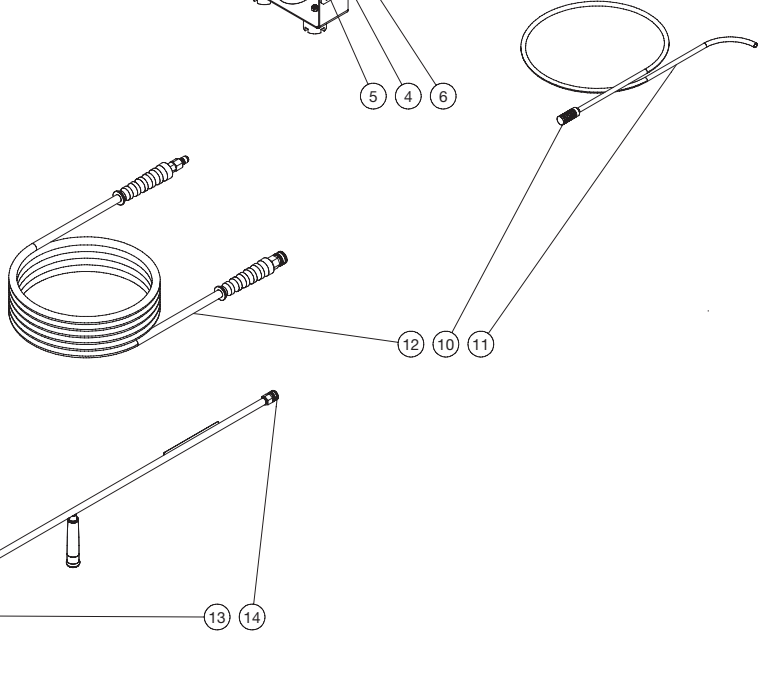
- 8. Pump
- 9. Water Outlet
- 10. Water Inlet
- 11. Adjustable Unloader Knob
- 12. GFCI
- 13. Power Cord

FEATURES LARGE CA ELECTRIC

DC-2503_3004-A1E2G FEATURES 040222



WALL MOUNT OPTION



- | | |
|----------------------------|---------------------------------|
| 1 Pump | 8 Power Cord |
| 2 Motor | 9 GFCI |
| 3 Motor Overload | 10 Detergent Strainer |
| 4 Water Inlet | 11 Detergent Hose |
| 5 Water Outlet | 12 High Pressure Discharge Hose |
| 6 Adjustable Unloader Knob | 13 Gun Assembly |
| 7 On/Off Switch | 14 Quick Connect Nozzle |

SAFETY DECALS & PLACEMENT

DO NOT REMOVE SAFETY DECALS FROM UNIT UNLESS REPLACING WITH MOST CURRENT SAFETY DECAL!!




Decal: Caution: Risk of Injury (Part # 34-1473 or 34-4068)

⚠ CAUTION / PRECAUCION	
RISK OF INJURY 1. Read operator's manual carefully before using. 2. Spray gun can kick back. Hold with both hands. 3. Risk of eye injury. Always wear eye protection. 4. See the operator's manual for proper chemical usage.	RIESGO DE LESIONES 1. Lea cuidadosamente el manual del operador antes de usar. 2. El revolver rociadora puede retroceder violentamente. Sujétela con ambas manos. 3. Riesgo de lesiones a los ojos. Use siempre protección para los ojos. 4. Para un uso químico apropiado consulte el Manual del Operador.
IMPORTANT / IMPORTANTE	
<ul style="list-style-type: none"> For indoor and outdoor use. Store indoors. Avoid pump damage. Protect from freezing. Do not run for more than 3 minutes with spray gun not triggered. If connected to a circuit protected by fuses, use time-delay fuses only. 	<ul style="list-style-type: none"> Para uso interior y exterior. Almacene bajo techo. Evite daños a la bomba. Protéjala contra la congelación. No haga funcionar por más de 3 minutos sin accionar el gatillo de la pistola. Si se conecta a un circuito protegido por fusibles, use fusibles con retardo solamente.
34-1473/081712	

Hang Tag: Warning-Risk of Electrocutation (Part # 34-1035)

⚠ WARNING	
	
RISK OF ELECTROCUTION. DO NOT REMOVE THIS TAG.	
<ol style="list-style-type: none"> 1. Connect only to a properly grounded outlet. Do not remove ground pin. 2. Inspect cord before using. Do not use if cord is damaged. 3. Keep all connections dry and off the ground. 4. Do not touch plug with wet hands. 5. This unit may be provided with a Ground Fault Circuit Interrupter (GFCI) built into the power cord plug. If replacement of the plug or cord is needed, use only identical replacement parts. If this unit is not provided with a GFCI, this unit should only be connected to a power supply receptacle protected by a ground fault circuit interrupter. 6. Do not use an extension cord with this machine. 7. Read the operator's manual before using. 	
FAILURE TO FOLLOW THE ABOVE INSTRUCTIONS COULD RESULT IN A SEVERE ELECTRICAL SHOCK.	
34-1035-E/F/S-111899-ENG	

Decal: Warning-Risk of Injection/Explosion (Part # 34-1017)

⚠ WARNING		⚠ ADVERTENCIA	
 RISK OF EXPLOSION: Do not spray flammable liquids.	 RISK OF ELECTROCUTION: Do not spray electrical apparatus and wiring.	RIESGO DE EXPLOSIÓN: No rocíe líquidos inflamables.	RIESGO DE ELECTROCUCIÓN: No rocíe el aparato y el cableado eléctricos.
 RISK OF INJECTION OR SEVERE CUTTING INJURY: Keep clear of nozzle. Do not direct discharge stream at persons.		RIESGO DE INYECCIÓN O LESIÓN DE CORTE: Manténgase alejado de la boquilla. No dirija la corriente de descarga hacia las personas.	
34-1017/080612			

Decal: Warning-Risk of Electrocutation (Part # 34-1471 or 34-3398)

⚠ WARNING ⚠ ADVERTENCIA	
RISK OF ELECTROCUTION. DO NOT REMOVE THIS TAG.	
<ol style="list-style-type: none"> 1. Connect only to a properly grounded outlet. Do not remove ground pin. 2. Inspect cord before using. Do not use if cord is damaged. 3. Keep all connections dry and off the ground. 4. Do not touch plug with wet hands. 5. This unit may be provided with a Ground Fault Circuit Interrupter (GFCI) built into the power cord plug. If replacement of the plug or cord is needed, use only identical replacement parts. If this unit is not provided with a GFCI, this unit should only be connected to a power supply receptacle protected by a ground fault circuit interrupter. 6. Do not use an extension cord with this machine. 7. Read the operator's manual before using. 	
FAILURE TO FOLLOW THE ABOVE INSTRUCTIONS COULD RESULT IN A SEVERE ELECTRICAL SHOCK.	
RIESGO DE ELECTROCUCION. NO RETIRE ESTA CALCOMANIA.	
<ol style="list-style-type: none"> 1. Conecte solamente a una toma corriente que está bien fundado. No quite la pata de conexión de la tierra. 2. Antes de usar inspeccione la cuerda. No use si la cuerda está dañando. 3. Mantenga las conexiones secas y apartados de la tierra. 4. No toque el enchufe con manos mojadas. 5. Este producto debe conectarse a tierra. Asegúrese de que la lavadora a presión esté equipada con un Interruptor de circuito de falla a tierra (Ground Fault Circuit Interrupter, GFCI) incorporado en el cordón de alimentación. Si no lo tiene, debe conectarse la lavadora a presión únicamente en un receptáculo que esté protegido por un Interruptor de circuito de falla a tierra. Desconéctela cuando no esté en uso. 6. No use una cuerda extensión con la unidad. 7. Antes de usar lea y entienda todas las instrucciones y el manual de operación. 	
EL NO SEGUIR LAS INSTRUCCIONES DE ARRIBA PUEDE RESULTAR EN UN CHOQUE ELECTRICO GRAVE.	
34-1471/081712	

Decal: Warning: Potable Water (Part # 34-1477)

⚠ WARNING/ADVERTENCIA	
If connection is made to a potable water system, the system shall be protected against backflow.	Si la conexión se hace a un sistema de agua potable, el sistema será protegido contra la expulsión.
34-1477/080612	

Decal: Warning-Risk of Injection (Part # 34-1253)

⚠ WARNING		⚠ ADVERTENCIA	
 RISK OF INJECTION OR SEVERE INJURY Never put your hand, fingers or body directly over the spray nozzle.		RIESGO DE INYECCIÓN O LESIÓN SEVERA Nunca coloque la mano, los dedos o el cuerpo directamente sobre la boquilla de rocío.	
34-1253/07272012			

INSTALLATION & PREPARATION

ATTIRE:

Proper attire is essential to your safety. It is advised to utilize whatever means necessary to protect eyes, ears, and skin. Additional safety attire (such as respiratory mask) may be required when using detergent cleaning agents with this washer.



SETUP:

1. This unit should only be placed on a level surface to ensure proper lubrication for the water pump while operating. NEVER spray water directly on the unit!
2. Do not place unit in an area:
 - a. where there is evidence of oil or gas leaks.
 - b. where flammable gas vapors may be present.
3. Do not allow the unit to be exposed to rain, snow or freezing temperatures. If any part of the unit becomes frozen; excessive pressure may build up in the unit which could cause it to burst, resulting in possible serious injury to the operator or bystanders.
4. Before each use, be certain the oil level is in the center of the sight glass. If low, fill with pump oil. DO NOT OVERFILL!



WARNING: RISK OF EXPLOSION!

DO NOT OPERATE UNIT IN AN AREA WHERE FLAMMABLE GAS VAPORS MAY BE PRESENT. AN ELECTRIC SPARK MAY CAUSE AN EXPLOSION.



RISK OF BURSTING!

DO NOT STORE / OPERATE UNIT IN A FREEZING ENVIRONMENT.

WALL MOUNT OPTION: SEE PAGE 19.

POWER CORD CONNECTION:

1. Make certain the motor switch is in the "OFF" position.
2. Ensure electrical supply is identical to the specifications listed on the pressure washer data plate.
3. **GROUNDING INSTRUCTIONS:** This product must be grounded. If it should malfunction or breakdown, grounding provides a path of least resistance for electric current to reduce the risk of electric shock. This product is equipped with a cord having an equipment-grounding conductor. The plug must be plugged into an appropriate outlet that is properly installed and grounded in accordance with all local codes and ordinances.
4. **DANGER:** Improper connection of the equipment-grounding conductor can result in a risk of electrocution. Check with a qualified electrician or service personnel if you are in doubt as to whether the outlet is properly grounded. Do not modify the plug - if it will not fit the outlet, have a proper outlet installed by a qualified electrician. Do not use any type of adaptor with this product.
5. **GROUND FAULT CIRCUIT INTERRUPTER PROTECTION:**
 - a. **1502/2503:** If this pressure washer is provided with a Ground Fault Circuit Interrupter (GFCI) built into the plug or the power supply cord, test the GFCI each time it is plugged into an outlet according to instructions on the GFCI. DO NOT use the pressure washer if the test fails! The GFCI provides additional protection from the risk of electric shock. Should replacement of the plug or cord become necessary, use only identical replacement parts that include GFCI protection.
 - b. **3004:** If this pressure washer is not provided with a GFCI, this pressure washer should only be connected to a receptacle that is protected by a Ground Fault Circuit Interrupter (GFCI) to comply with the National Electric Code (NFPA 70) and to provide additional protection from the risk of electric shock.



DANGER: RISK OF ELECTROCUTION!

THIS UNIT MUST BE CONNECTED TO A PROPERLY GROUNDED OUTLET. DO NOT USE AN ADAPTER OR REMOVE THE THIRD GROUNDING PRONG.



WARNING: RISK OF ELECTROCUTION!

TO REDUCE THE RISK OF ELECTROCUTION, KEEP ALL CONNECTIONS DRY AND OFF THE GROUND. DO NOT TOUCH PLUG WITH WET HANDS.

INSTALLATION & PREPARATION

6. **EXTENSION CORDS: THE MANUFACTURER DOES NOT RECOMMEND THE USE OF EXTENSION CORDS!** If use of an extension cord is unavoidable, it must be plugged into a GFCI found in circuit boxes or protected receptacles. When using an extension cord, consult a qualified electrician to determine the proper wire gauge needed for the length of the extension cord.

SINGLE PHASE: Use only 3-wire extension cords that have 3-prong grounding-type plugs and 3-pole cord connectors that accept the plug from the product.

THREE PHASE: Use only 4 wire extension cords that have 4-prong grounding type plugs and 4-pole cord connectors that accept the plug from the product.

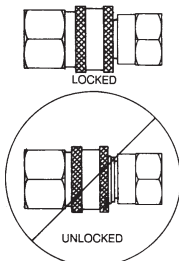
Use only extension cords that are intended for outdoor use. These extension cords are identified by a marking "Acceptable for use with outdoor appliances; store indoors while not in use." Use only extension cords having an electrical rating not less than the rating of the product. Do not use damaged extension cords. Examine extension cord before using and replace if damaged. Do not abuse extension cord and do not pull on any cord to disconnect. Keep cord away from heat and sharp edges. Always connect or disconnect the extension cord from the receptacle before connecting or disconnecting the product from the extension cord.

7. Ensure the area between the pressure washer cord and outlet is kept dry.
8. Insert the male plug into a grounded AC outlet. **DO NOT** use an adapter OR remove the grounding plug!!

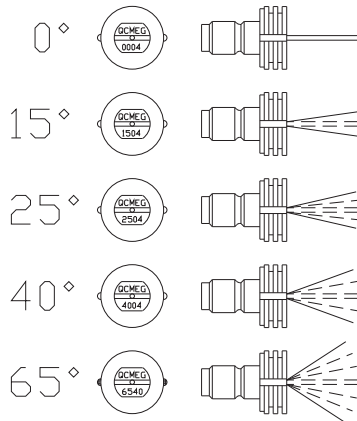
WARNING: RISK OF INJECTION CAUSING SEVERE INJURY!

NEVER LOOK DIRECTLY AT THE NOZZLE ORIFICE UNLESS IT IS DISCONNECTED FROM THE GUN/WAND ASSEMBLY!

CONNECTION OF Q.C. NOZZLES



QUICK-CONNECT (Q.C.)



NOZZLE REVIEW:

Various nozzles may be quick-connected into the end of the wand to change the spray pattern or use the detergent feature. When using Quick Connects (Q.C.), be certain the connection is securely locked. If not, the high pressure water may shoot the nozzle from the wand, causing severe injury or serious damage. To determine spray fan, refer to the actual number stamped on the nozzle. The first two digits indicate the spray fan in degrees, i.e.; 00=0°, 15=15°, 25=25°, 40=40°, 65=detergent/low pressure.

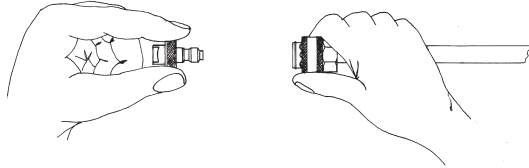
1. **The 0° nozzle (RED):** This is a blasting nozzle. It delivers a very concentrated stream of water. Be cautious when using the straight narrow stream. It is not recommended for use on painted or wood surfaces, or items attached with adhesive backings. Uses: Removing weeds from sidewalk cracks, stubborn stains from concrete, masonry, aluminum and steel, caked mud from equipment, and cleaning lawn mower undersides.
2. **The 15° nozzle (YELLOW):** This is a chiseling nozzle. The spray should be directed at a 45° angle to the surface and used like a scraper to remove paint, grease and dirt. Uses: Surface preparation (removing mildew stains and paint chips).
3. **The 25° nozzle (GREEN):** This is a flushing nozzle. This pattern is best suited for flushing dirt, mud, and grime. Uses: Wet sweeping leaves from walks, curbs and driveways, cleaning stable floors, washing swimming pool bottoms, degreasing engines.
4. **The 40° nozzle (WHITE):** This is a wash nozzle. This wide spray pattern disperses the water pressure over a large area and is recommended for moderate washing. Uses: Washing aluminum siding, cleaning windows, washing vehicles, spraying sidewalks, driveways, and patios.
5. **The 65° nozzle (BLACK):** This is a low pressure detergent application nozzle. This broad spray pattern distributes solution over vast areas under low pressure. Uses: Detergent application, misting or rinsing.

INSTALLATION & PREPARATION

NOZZLE CONNECTION:

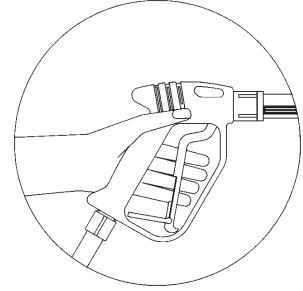
1. Be certain the trigger gun is locked in the "OFF" position. See WARNING, right.
2. The nozzle assembly should be disconnected from the gun/wand assembly at this by retracting the locking ring on the quick-connect fitting to remove the nozzle.

QUICK-CONNECT FITTING



WARNING: RISK OF SEVERE INJURY!

THE TRIGGER GUN SHOULD ALWAYS BE LOCKED IN THE OFF POSITION WHEN NOT IN USE!



WATER SUPPLY:

1. Select a water supply hose which is a quality grade of garden hose measuring at least 3/4" ID and no longer than 50 feet.
2. Check the water inlet strainer to ensure it is clean and free of any obstructions. Periodic cleaning of the water strainer will help prevent pump problems. As a strainer becomes obstructed, it restricts proper flow of water to the pump. This can cause cavitation which will result in premature failure of pump packings and valves. Using a screw driver, remove the screen; clean or replace if necessary.

3. Connect the hoses.

- a. Connect one end of the water supply hose to the water inlet of the unit.
- b. Connect the other end of the hose to your pressurized water supply.

NOTE: Do not use a non-pressurized water supply (i.e. from a well or pond) with this unit.

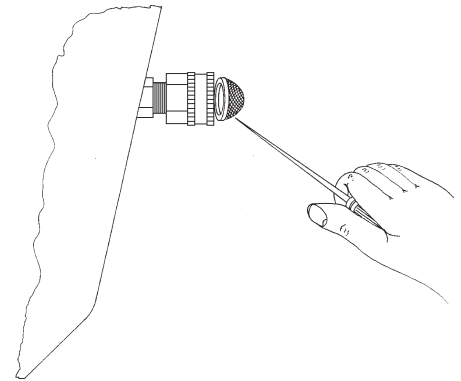
- c. Connect the high pressure discharge hose to the water outlet of the unit.

4. Follow the incoming water requirements listed below:

- a. Water pressure must be a minimum of 20 pounds per square inch (PSI) and a maximum of 125 PSI. (A typical outdoor faucet will generally supply this PSI if turned completely "ON".)
- b. Incoming GPM must be approximately one gallon more than the outgoing GPM stated on the pressure washer nameplate. (You can check GPM by timing how long it takes to fill a 5 gallon container.
- c. Incoming water temperature must not exceed 140°F (78°C). Excessive pump damage may result if the water temperature exceeds this acceptable level.

5. Never allow the unit to operate without the incoming water line attached and the water supply turned all the way on.

CHECK WATER INLET STRAINER



UNLOADER:

The unloader valve on your machine is equipped with an adjustment knob to adjust the pressure. Should less pressure be required, simply turn the adjustment knob counterclockwise. To set back to maximum, turn adjustment knob completely clockwise. DO NOT OVERTIGHTEN!

CAUTION: RISK OF UNIT DAMAGE!

DO NOT OVERTIGHTEN THE UNLOADER. BREAKAGE WILL RESULT IN IMMEDIATE LOSS OF WATER PRESSURE AND COSTLY REPAIRS.

INSTALLATION & PREPARATION

THERMAL RELIEF VALVE:

To ensure the water temperature does not exceed acceptable levels, never allow the pressure washer to operate in the bypass mode (with the unit running and the trigger closed) for more than three minutes.

A thermal relief valve has been added to this unit to protect the pump. This valve will open and release water if the water temperature in the pump has exceeded 140° F. This will allow fresh, cool water to enter the system, preventing premature failure of pump packings.

PRE-START INSPECTION PROCEDURES:

Before starting the unit, perform the following procedures:

1. Inspect electrical cord for cuts. If a cut is found, **DO NOT TOUCH OR USE ELECTRICAL CORD!** Replace cord before starting the unit.
 2. Check the oil level in the pump.
 3. Inspect the inlet water strainer. Clean or replace if necessary. See "Water Supply".
 4. Check all hose connections to ensure they are securely tightened. See "Water Supply".
 5. Inspect for system water leaks and oil leaks. Be sure that all damaged parts are replaced and that the mechanical problems are corrected prior to operation of the unit. If service is needed, contact Customer Service.
 6. Inspect high pressure hose for kinking, cuts or leaks. If a cut or leak is found, **DO NOT USE HOSE!** Replace hose before starting unit. Be sure that all damaged parts are replaced and that the mechanical problems are corrected prior to operation of the unit. If you need service, contact Customer Service.
-



END OF PREPARATION INSTRUCTIONS



WARNING

**THE FOLLOWING PAGES CONTAIN OPERATING AND MAINTENANCE INSTRUCTIONS
DO NOT ATTEMPT TO OPERATE THIS PRESSURE WASHER UNTIL YOU HAVE READ
AND UNDERSTOOD ALL SAFETY PRECAUTIONS AND INSTRUCTIONS LISTED IN THIS
MANUAL.**

INCORRECT OPERATION OF THIS UNIT CAN CAUSE SERIOUS INJURY!!

DO NOT ALTER OR MODIFY THIS EQUIPMENT IN ANY MANNER!

OPERATING INSTRUCTIONS

PRIMING THE PUMP:


1. It is essential to prime the pump on initial start-up and each time the water supply is disconnected from the unit after initial use.
2. Lay the high pressure hose out to remove any loops. Water flow will constrict the hose, creating tight loops if the hose is not straight.
3. Securely connect the gun assembly to the high pressure hose.

NOTE: The nozzle should NOT be connected to the gun assembly at this time. See "Nozzle Connection" .


4. With the trigger gun locked in the "OFF" position, turn the water supply completely on. Pointing the gun in a safe direction, unlock the trigger gun and squeeze the trigger.
5. Low pressure water will begin flowing from the hose/gun assembly. This allows the unit to prime and purge any air from the system. The unit is primed when water flow is uninterrupted by air.
6. Once the unit is primed, release the trigger and lock the gun in the "OFF" position. Securely connect the nozzle assy. (See "Nozzle Connection")

START-UP:

1. Refer to the "Safety Precautions" before starting the unit.
2. Locate the Safety Decals on your unit and heed their warnings.
3. With the gun locked in the "OFF" position, point the trigger gun away from yourself or anyone else. Ensure water supply is turned completely on.
4. Disengage the safety lock-off on the gun and squeeze the trigger. Low pressure water will begin flowing from the nozzle.
5. Before starting the unit, brace yourself as the gun will kickback from the high pressure created by the pump once the unit has started.
6. Move the switch to the "ON" position.
7. Once the unit is turned on, perform the following procedures with the gun open:
 - a. Inspect for system water leaks and oil leaks. If a leak is found, TURN UNIT OFF IMMEDIATELY! Be sure that all damaged parts are replaced and that the mechanical problems are corrected prior to operation of the unit. If you require service, contact Customer Service.
 - b. Inspect high pressure hose for kinking cuts and leaks. If a cut or leak is found, DO NOT TOUCH HOSE AT CUT OR LEAK!!! TURN UNIT OFF IMMEDIATELY! Replace hose before restarting the unit. Be sure that all damaged parts are replaced and that the mechanical problems are corrected prior to operation of the unit. If you require service, contact Customer Service.
 - c. Inspect electrical cord for cuts. If a cut is found, DO NOT TOUCH OR USE ELECTRICAL CORD! Replace cord before starting the unit.
8. Trigger the gun several times. **Be certain** to LOCK the trigger gun in the "OFF" position whenever changing the nozzle. NEVER look directly into the nozzle! High pressure water creates a risk of severe injury!
9. Do not allow unit to operate in bypass mode (with trigger closed) for more than three minutes without triggering the gun. Failure to follow this simple rule can cause premature failure of pump packing seals, resulting in costly pump repair.
10. Because your pressure washer delivers a high pressure spray and a variety of spray patterns, there are many cleaning jobs that can be done without the use of detergents. If a cleaning agent is required, see "Cleaning With Detergents" for the correct procedures.

 **WARNING: RISK OF INJECTION CAUSING SEVERE INJURY!**

- KEEP CLEAR OF NOZZLE! NEVER PLACE HAND OR FINGERS IN FRONT OF NOZZLE!
- DO NOT DIRECT DISCHARGE STREAM AT PEOPLE OR PETS!
- BE CERTAIN THE NOZZLE IS SECURELY CONNECTED TO THE WAND TO PREVENT AN ACCIDENTAL DISCHARGE!

 **CAUTION: RISK OF DAMAGE.**

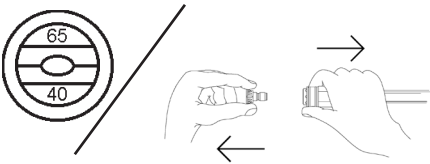
DO NOT ALLOW SPRAY PATTERN TO REMAIN ON A FIXED AREA FOR AN EXTENDED PERIOD OF TIME. POSSIBLE DAMAGE MAY OCCUR TO THE AREA.

OPERATING INSTRUCTIONS

CLEANING WITH DETERGENTS:

1. Refer to "Detergent Cleaning Precautions" before working with detergents. Be certain to wear protective safety attire as stated.
2. Prepare detergent solution according to label directions. Never pump acids, alkaline, abrasive fluids or solvents through the unit.
3. Your injector is equipped with an adjustment knob on the pump head, you may adjust the amount of detergent desired by turning the knob completely counterclockwise to set at the maximum siphon rate.
4. Immerse the detergent strainer into the detergent solution to allow detergent to siphon.
5. With the trigger gun locked in the "OFF" position, securely quick-connect the detergent spray nozzle (#6540° BLACK) into the end of the wand.

QUICK CONNECT DETERGENT



NOTE: This injection system is designed to apply detergents under low pressure only. It will not allow detergent solutions to be introduced into the system unless the detergent nozzle (6540 Black) is installed.

6. To apply solution; unlock the trigger gun and squeeze the trigger. In a few moments a detergent/water mixture will exit the low pressure nozzle. Start spraying the lower portion of the surface being cleaned and move up, using long overlapping strokes. Applying from the bottom up helps avoid streaking. Allow to soak briefly. DO NOT allow detergent solution to dry on the surface. (Avoid working on hot surfaces or in direct sunlight to minimize the chances of the detergent drying, which may result in damaging painted surfaces.) Be certain to rinse a small section at a time.
7. To rinse; lock the trigger gun in the "OFF" position, securely quick-connect the desired high pressure nozzle into the end of the wand. Unlock the trigger gun and spray. It will take about 30 seconds to purge all detergent from the line. For best rinsing results, start at the top and work down.
8. Siphon a gallon of water through the low pressure detergent injection system after each use. This prevents the possibility of corrosion or detergent residue causing mechanical problems during the next use.

SHUTDOWN:

1. Move the switch to the "OFF" position to turn unit off.
2. Turn the water supply off.
3. Pointing the gun in a safe direction, trigger the gun momentarily to relieve any trapped pressure.
4. Once pressure is relieved, disconnect the nozzle.
5. Disconnect the unit from the power source.
6. Disconnect and drain gun, wand and hoses.
7. Wipe unit clean and store with gun, wand and hoses in a safe area.

STORAGE & MAINTENANCE

SPECIFIC MAINTENANCE:

PUMP: The pump oil must be changed after the first 25 hours of operation. Once the initial oil change has been completed, it is recommended the oil be changed every 3 months or 250 hour intervals. If oil appears dirty or milky, changes may be required at a greater frequency. Use specified pump oil and fill only to the center of the oil sight glass. **DO NOT OVERFILL!**

NOZZLES: Water flow through the spray nozzle will erode the orifice, making it larger, resulting in a pressure loss. Nozzles should be replaced whenever pressure is less than 85% of the maximum. The frequency of replacement will depend upon such variables as mineral content in the water and number of hours the nozzle is used.

QUICK COUPLERS: There is an o-ring seal inside the female quick coupler. This o-ring will deteriorate or, if the unit is allowed to pump without the high pressure hose or nozzle attached, the o-ring may be blown out occasionally. Simply insert a replacement o-ring to correct the leak. (Additional o-rings can be purchased from your dealer.)

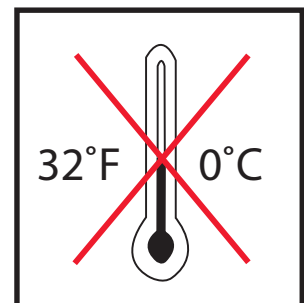
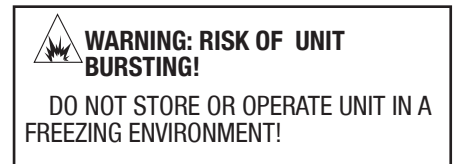
WINTERIZING:

For storage and transportation purposes in subfreezing ambient temperatures, it will be necessary to winterize this unit. This unit must be protected to the lowest incurred temperature for the following reasons:

1. If any part of the pumping system becomes frozen; excessive pressure may build up in the unit which could cause the unit to burst resulting in possible serious injury to the operator or bystanders.
2. The pumping system in this unit may be permanently damaged if frozen. **FREEZE DAMAGE IS NOT COVERED BY WARRANTY.**

If you must store your unit in an area where the temperature may fall below 32°F, you can protect your unit by following the procedure outlined below.

1. Gather the following items:
 - a. Two 5 gallon containers.
 - b. One gallon of antifreeze. (The manufacturer recommends an environmentally safe antifreeze.)
 - c. Water supply.
 - d. Three foot hose, 1/2-3/4 I.D. with a 3/4 inch male garden hose fitting.
2. Procedure:
 - a. To start winterizing, unit must be run and primed according to the "Start-up Procedures".
 - b. After running and priming, shut off the unit and water supply.
 - c. Relieve system pressure by pointing the trigger gun in a safe direction and squeezing the trigger until water flow ceases to exit the nozzle.
 - d. Lock the trigger gun in an OFF position and remove the nozzle.
 - e. Remove the water supply hose from the unit and attach the 3 foot hose securely to the inlet connection.
 - f. Shut off the detergent injector if applicable.
 - g. Fill one 5 gallon bucket with water.
 - h. Holding the 3 foot hose in an upright position, completely fill the hose with water. Then plug the hose outlet with your thumb or finger. Place the plugged end into the 5 gallon bucket of water.
 - i. Turn the unit on. Trigger the gun several times until all the air is worked out of the system (unit is primed).



STORAGE & MAINTENANCE

NOTE: Proper winterizing is based on the recommended manufacturer's instructions listed on the "Protection Chart" shown on the back label of most antifreeze containers.

- j. With the trigger gun held open, siphon enough water out of the 5 gallon bucket until there is just enough water left to mix with the antifreeze.
 - k. Point the wand into the empty container and start the unit.
 - l. Trigger the gun until the antifreeze begins to exit the wand. Release the trigger for 3 seconds, then trigger the gun for 3 seconds. Continue cycling the gun several times until all the antifreeze mixture is siphoned from the container.
 - m. Detach the 3 foot hose from the unit and drain any excess antifreeze back into the 5 gallon container.
 - n. Disconnect the hose/gun/wand assembly from the unit and drain any excess antifreeze back into the 5 gallon container.
 - o. Store the hose, gun and wand with the unit in a safe area.
 - p. Store antifreeze solution for next use or dispose of according to state EPA laws.
3. Optional Procedure:
- a. Shut the unit off.
 - b. Relieve system pressure by pointing the trigger gun in a safe direction and squeezing the trigger until water flow ceases to exit the nozzle.
 - c. Disconnect and drain the hose, gun and wand.
 - d. Start the unit and allow it to run until all the water exits the unit. Once the water has stopped flowing from the unit, turn off.

NOTE: When using this procedure, caution should be used as ice chips can form from drops of water which could cause the unit to burst if starting before completely thawed.

STARTING UNIT AFTER EXTENDED STORAGE:

1. BE CERTAIN the unit is NOT plugged into the power source.
2. Prior to restarting the unit, thaw out any possible ice from the wand, gun, hose and unit.
3. After following all "PREPARATION" instructions, start the unit momentarily and immediately turn "OFF" to ensure all parts are lubricated before operation.

WALL MOUNT OPTIONS

WALL MOUNT OPTIONS CX-0104 AND CX-0105 ARE AVAILABLE. CONSULT FACTORY FOR DETAILS.

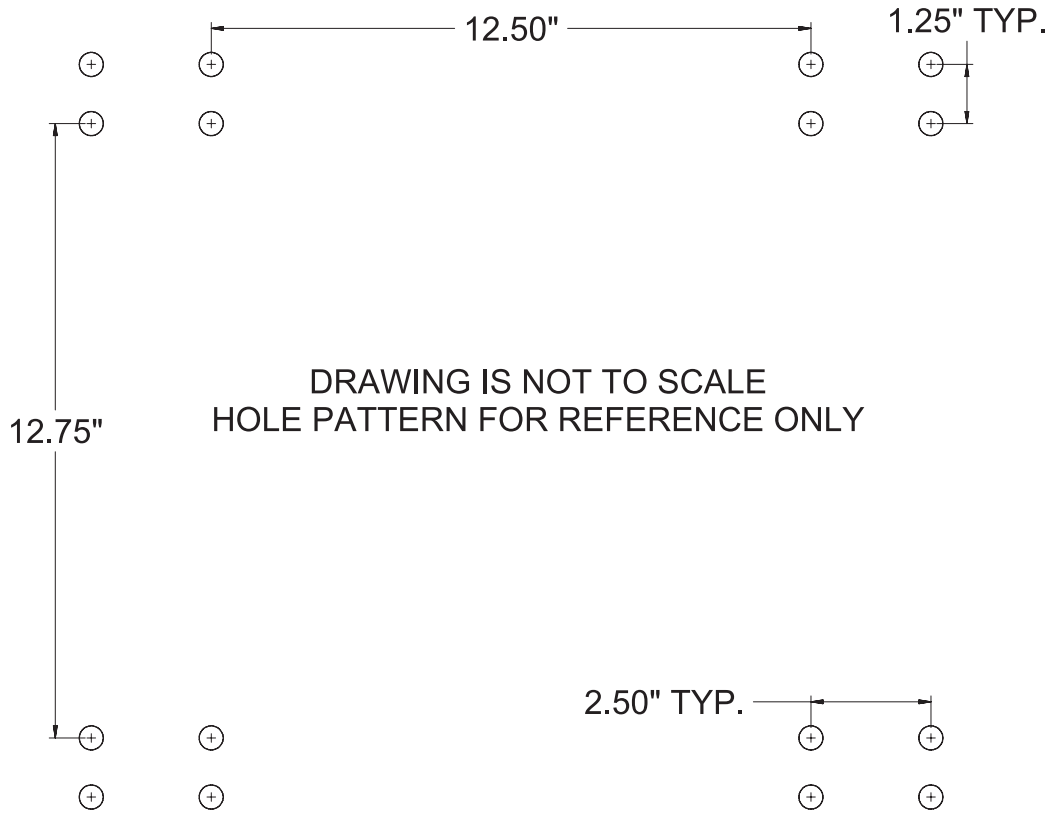


FIGURE 1: CX-0104 HOLE PATTERN FOR CA-1502-0E1G-W

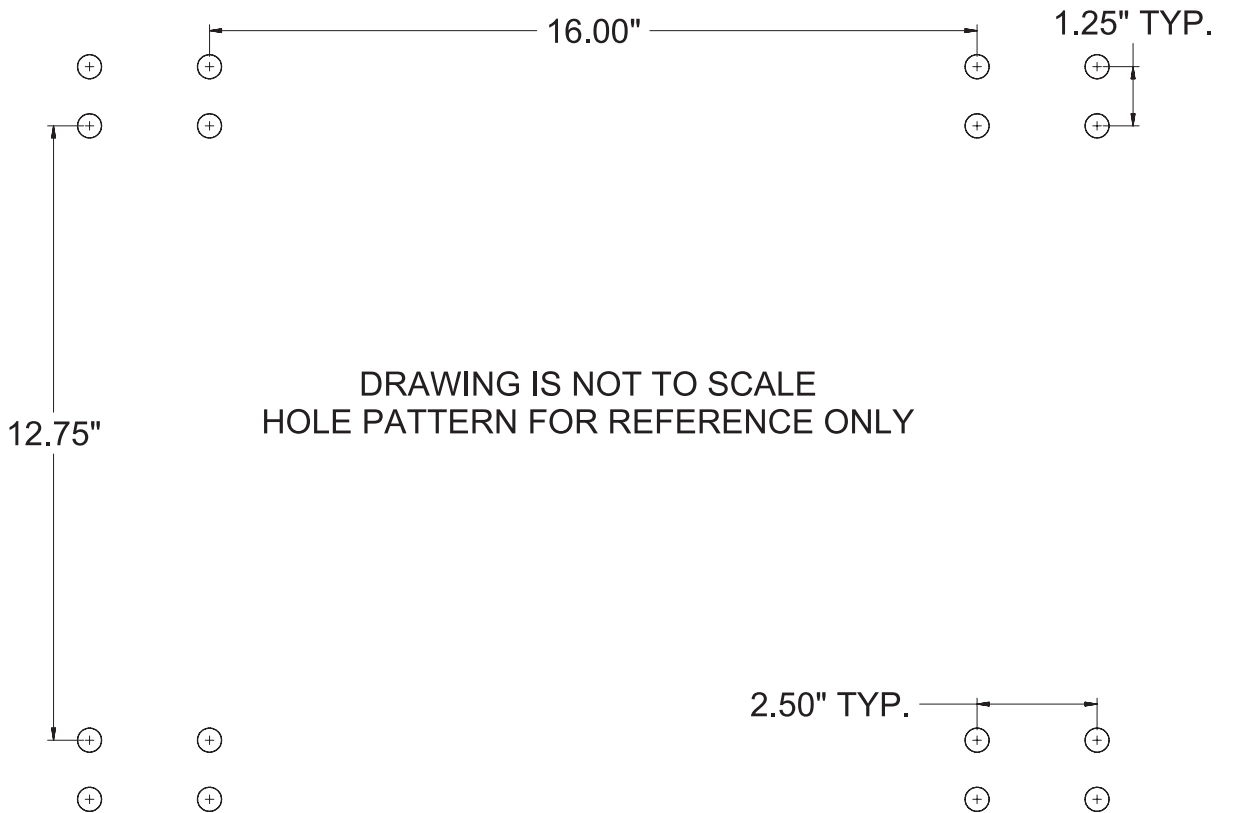


FIGURE 2: CX-0105 HOLE PATTERN FOR CA-2503/3004-0E2G-W

TROUBLESHOOTING

SYMPTOM	PROBABLE CAUSE	REMEDY
Pump motor will not start, or stops while operating.	GFCI tripped.	Turn unit "OFF". Test GFCI by pressing reset button
	Loose or disconnected plug.	Reconnect plug.
	Circuit overload. Tripped circuit breaker or fuse blown in circuit fuse box.	Disconnect all other plugs on the circuit being used and reset circuit breaker OR check and replace fuse.
	Tripped circuit breaker in unit.	Allow to cool and restart unit.
	Motor overload.	Reset thermal overload button on pump motor or inside electrical control panel.
	Unit is frozen.	Allow to thaw. If any part of the unit becomes frozen; excessive pressure may build up in the unit which could cause the unit to burst resulting in possible serious injury to the operator or bystanders.
Circuit breaker trips or fuse blows in the box.	Circuit overload.	Ensure electrical supply is identical fuse to the specifications listed on the pressure washer data plate. Disconnect all plugs on the circuit. When connecting to a circuit protected by fuses, use time delay fuses only.
	Extension cord is too long or wire is too small.	Electrical requirements on extension cord should comply with the specifications listed on the pressure washer data plate.
	Too much pressure.	Use Adjusting Knob on Unloader to reduce pressure.
GFCI trips.	Incorrect voltage.	Ensure electrical supply is identical to the specifications listed on the pressure washer data plate.
	Electrical short to ground.	Contact Customer Service.
Low or fluctuating pressure.	Water inlet screen obstructed.	Remove screen, clean or replace.
	Pump sucking air. (Prime lost)	Tighten all water intake connections. Eliminate leaks in intake line.
	Not in high pressure mode.	Insert high pressure nozzle.
	Obstructed or worn orifice.	Remove and clean, or replace.
	Damaged or obstructed valve assembly on pump.	Remove, clean or replace.
	Pump packings worn.	Replace packings.
Water is leaking from Thermal Relief Valve.	Unloader valve not operating correctly.	Repair or replace.
	Water inlet temperature is too high.	Incoming water temperature must be less than 140°F.
	Water temperature in unit is too high.	Do not allow unit to operate in bypass mode (with the trigger gun closed) for more than three minutes.
	Defective valve.	Replace.

TROUBLESHOOTING

SYMPTOM	PROBABLE CAUSE	REMEDY
Oil appears milky or foamy.	Water in oil.	Change pump oil. Fill to proper level.
Oil leaking from unit.	Worn seals or o-rings.	Contact Customer Service.
Detergent will not siphon into Low Pressure Detergent mode.	Detergent strainer is not completely submerged in detergent solution.	Check; submerge if necessary.
	Detergent strainer is obstructed.	Inspect, clean or replace.
	Detergent hose is obstructed, cut or kinked.	Inspect, clean or replace.
	Detergent adjusting knob turned to the closed position.	Open adjusting knob.
	Not in Low Pressure mode.	Insert 6540° (BLACK) nozzle.
	Nozzle assembly is plugged.	Open adjusting knob.
	Too many high pressure hose extensions attached to the water outlet.	Use one extension maximum.
	Ball & Spring in detergent strainer stuck.	Remove, clean or replace.
Water flows back into detergent container.	Ball & Spring in Venturi reversed, missing or corroded.	Remove, clean or replace.
Water flows from the nozzle when the trigger gun is in the "OFF" position.	Gun is malfunctioning.	Repair or replace.
Motor runs but there is no discharge at nozzle when trigger mechanism is squeezed.	Motor runs but there is no discharge.	Turn water supply completely on.
	Kink in water inlet hose.	Remove kink.
	Kink in high pressure discharge hose.	Replace hose.

STATEMENT OF WARRANTY

The manufacturer warrants all parts, (except those referred to below), of your new pressure washer to be free from defects in materials and workmanship during the following periods:

For Lifetime against freezing and cracking:

Pump Manifold

For Seven (7) Years from the date of original purchase:

High Pressure Pump

For Two (2) Years from the date of original purchase:

Cart Assembly

Plumbing

For One (1) Year from the date of original purchase:

GFCI Selector Switch

For Ninety (90) days from the date of original purchase:

Trigger Gun/Wand High Pressure Hose

Unloader Valve Strainer/filter

Defective parts not subject to normal wear and tear will be repaired or replaced at our option during the warranty period. In any event, reimbursement is limited to the purchase price paid.

EXCLUSIONS

1. The motor is covered under separate warranty by its respective manufacturer and is subject to the terms set forth therein.
2. Normal wear parts:
Pump Packings Spray Nozzles
Pump Valves Detergent Valves
Quick Couplings/Screw Connects O-rings
3. This warranty does not cover parts damaged due to normal wear, misapplication, misuse, operation at other than recommended speeds, pressures or temperature. Parts damaged or worn because of the use of caustic liquids or by operation in abrasive or corrosive environments or under conditions causing pump cavitation are not warranted. Failure to follow recommended operating and maintenance procedures also voids warranty.
4. The use of other than genuine manufactured repair parts will void warranty. Parts returned, prepaid to our factory or to an Authorized Service Center will be inspected and replaced free of charge if found to be defective and subject to warranty. There are no warranties which extend beyond the description of the face hereof. Under no circumstances shall the manufacturer bear any responsibility for loss of use of the unit, loss of time or rental, inconvenience, commercial loss or consequential damages.

For Service or Warranty Consideration, contact Customer Service.
563-556-7484 / 800-553-9053 / Fax 563-556-1235
Monday - Friday 8:00 a.m. - 5:00 p.m. CST

TABLE OF CONTENTS

INTRODUCTION	24
IMPORTANT	24
INSTRUCTIONS IMPORTANTES DE SÉCURITÉ	25
MESURES DE PRÉCAUTION -- ÉLECTRICITÉ:	25
MESURES DE PRÉCAUTION -- PULVÉRISATION	26
MESURES DE PRÉCAUTION -- DIVERSES	26
RISQUE D'ASPHYXIE:	26
RISQUE PROVENANT DES PIÈCES MOBILES:	27
RISQUE DE BLESSURES CORPORELLES:	27
MESURES DE PRÉCAUTION -- NETTOYAGE AU DÉTERSIF	28
! GARDEZ CES INSTRUCTIONS !	28
CARACTÉRISTIQUES DE PETITE	29
CARACTÉRISTIQUES GRAND	30
AUTOCOLLANTS DE SÉCURITÉ ET EMPLACEMENT	31
INSTALLATION ET PRÉPARATION	32
TENUE VESTIMENTAIRE :	32
MISE EN OEUVRE :	32
OPTIONS DE MONTAGE MURAL: VOIR PAGE 40.	32
BRANCHEMENT DU CORDON D'ALIMENTATION:	32
BUSES À RACCORDS RAPIDES:	33
ALIMENTATION EN EAU :	34
PISTOLET :	34
CLAPET DE DÉCHARGE:	35
VALVE D'ÉVACUATION DE CHALEUR:	35
INSPECTION AVANT MISE EN MARCHÉ:	35
DIRECTIVES D'UTILISATION	36
AMORÇAGE DE LA POMPE:	36
MISE EN MARCHÉ DE L'APPAREIL:	36
NETTOYAGE À L'AIDE DE DÉTERSIF:	37
ARRÊT DE L'APPAREIL:	37
ENTREPOSAGE ET ENTRETIEN	38
ENTRETIEN DE SPÉCIFIQUE	38
HIVERNISATION	38
MISE EN MARCHÉ DE L'APPAREIL APRÈS ENTREPOSAGE PROLONGÉ:	39
OPTIONS DE MONTAGE MURAL	40
DÉPANNAGE	41

⚠ AVERTISSEMENT

⚠ AVERTISSEMENT: Ce produit peut vous exposer à des produits chimiques, tel que le plomb, qui est reconnu par l'état de la Californie comme étant une cause de cancer, d'anomalies congénitales et d'autres problèmes liés à la reproduction. Pour plus de renseignements, aller à www.P65Warnings.ca.gov

INTRODUCTION

Toutes nos félicitations pour l'achat d'un appareil de lavage sous pression. Cet appareil a été conçu et construit dans une optique de qualité et de rendement. Chacun de ses composants a fait l'objet de contrôles de qualité rigoureux.

Le présent guide d'utilisation est rédigé à votre intention. Si vous suivez les directives simples relatives à la sécurité, à l'installation, à l'utilisation, à l'entretien et au dépannage qui y sont exposées, votre appareil de lavage sous pression vous assurera des années de bons et loyaux services. Le contenu du guide est établi en fonction des toutes dernières informations sur le produit disponibles au moment de la publication. De fabricant se réserve le droit de modifier sans préavis les prix, couleur, matériaux, équipements, spécifications et modèles.

IMPORTANT

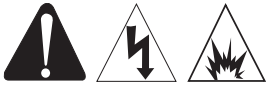
Dans le guide, certains paragraphes qui traitent de sécurité sont encadrés. L'encadrement est destiné à mettre en évidence les consignes de sécurité qui doivent être suivies lors de l'utilisation de l'appareil de lavage sous pression. Ces consignes sont précédées d'un «mot d'alerte» qui indique le degré ou le niveau de gravité du danger. Les mots d'alerte utilisés dans ce manuel sont les suivants :

DANGER : Signale un risque certain de blessures graves voire mortelles.

AVERTISSEMENT : Signale un risque de blessures graves voire mortelles.

ATTENTION : Signale un risque de blessures légères ou de dommages de gravité moyenne.

À gauche de certains paragraphes figure un «symbole d'alerte de sécurité» destiné à attirer l'attention sur les pratiques ou les méthodes dangereuses pour les utilisateurs de l'appareil.



REMETTRE UNE COPIE DE CE MANUEL À QUICONQUE UTILISE L'APPAREIL. LIRE TOUTES LES DIRECTIVES AVANT D'UTILISER L'APPAREIL DE LAVAGE SOUS PRESSION ET ATTIRER TOUT PARTICULIÈREMENT L'ATTENTION SUR LES «CONSIGNES DE SÉCURITÉ» DESTINÉES À ÉVITER DE SE BLESSER EN UTILISANT L'APPAREIL.

Après avoir déballé l'appareil, en inscrire immédiatement le numéro de série ci-dessous.

NUMÉRO DE SÉRIE : _____

Veillez inspecter soigneusement l'appareil pour vous assurer qu'il est intact. En cas d'avarie, adressez immédiatement une réclamation au transporteur. N'utilisez l'appareil qu'après avoir fait remplacer toute pièce endommagée et fait régler tous les problèmes d'ordre mécanique. Pour cela, veuillez vous adresser au détaillant qui vous a vendu l'appareil ou au centre d'entretien agréé de votre localité.

Avant d'appeler, veuillez disposer des renseignements suivants :

1. Numéro de modèle
2. Numéro de série
3. Date et lieu d'achat

⚠ INSTRUCTIONS IMPORTANTES DE SÉCURITÉ ⚠

MESURES DE PRÉCAUTION -- ÉLECTRICITÉ:

RISQUE DE DÉCHARGE ÉLECTRIQUE OU D'ÉLECTROCUTION:

⚠ AVERTISSEMENT: DES RISQUES DE MORT OU DE BLESSURES GRAVES PEUVENT SURVENIR SI LA MACHINE N'EST PAS RELIÉE À LA TERRE CORRECTEMENT. VOTRE NETTOYEUR HAUTE PRESSION EST ALIMENTÉ PAR ÉLECTRICITÉ ET POURRAIT PROVOQUER UNE DÉCHARGE ÉLECTRIQUE OU UNE ÉLECTROCUTION SI IL N'EST PAS UTILISÉ CORRECTEMENT.

1. Cet appareil doit être relié à la terre. Assurez-vous que le nettoyeur haute pression est équipé d'un GFCI (Disjoncteur Différentiel à fuite de terre) dans le cordon d'alimentation d'énergie. Si ce n'est pas le cas, le nettoyeur haute pression doit être branché à un réceptacle qui est protégé par un GFCI. Débranchez entre les utilisations.
2. Si votre appareil est équipé d'un GFCI, ne laissez pas tomber le GFCI car des dommages pourraient en résulter. Si vous laissez tomber accidentellement le GFCI, testez le avant l'utilisation suivante pour vous assurer qu'il est en état de marche. (suivez les instructions du GFCI pour les procédures de test)
3. Assurez-vous que l'appareil reçoit toujours le voltage approprié. Débranchez entre chaque utilisation.
4. Ne modifiez en aucun cas la prise fournie avec le produit. Si celle-ci n'entre pas dans la prise femelle, faites installer une par un électricien qualifié. Ne pas utiliser d'adaptateur.

⚠ AVERTISSEMENT: UN CHOC ÉLECTRIQUE PEUT SE PRODUIRE PAR LE FIL ÉLECTRIQUE.

5. Vérifiez que le cordon d'alimentation n'a pas d'écrasement, de coupures ou de dommages résultant de la chaleur. Si une prise ou un cordon d'alimentation a besoin d'être changé, remplacez-le avec un produit identique.
6. N'utilisez pas de rallonge électrique avec ce produit.
7. Maintenez toutes les connexions au sec et pas sur le sol. Ne pas laisser de fil électrique tremper dans l'eau ou dans une position telle que le contact avec l'eau serait possible. Ne pas toucher la prise avec les mains mouillées.
8. Ne pas tirer sur le fil électrique pour le débrancher de la prise.

⚠ AVERTISSEMENT: UN CHOC ÉLECTRIQUE PEUT SE PRODUIRE SI LE NETTOYEUR HAUTE PRESSION N'EST PAS UTILISÉ CORRECTEMENT.

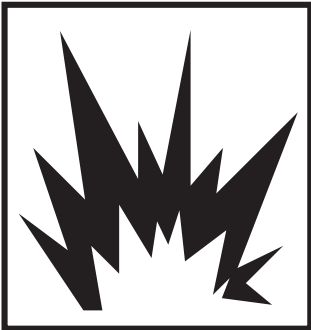
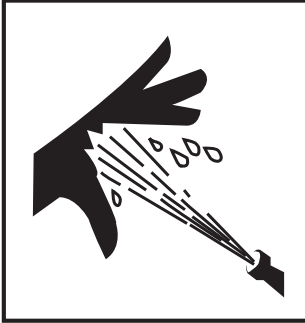
9. Ne dirigez pas le jet sur ou dans des installations électriques d'aucune sorte ! Ceci inclut les prises électriques, les ampoules, les boîtes à fusibles, les transformateurs électriques, l'appareil lui-même.
10. Ne pas laisser de composant métallique de la machine entrer en contact avec des composants électriques sous tension.
11. Ne jamais mettre en marche le nettoyeur haute pression avec les protections/carters démontés ou endommagés.

⚠ AVERTISSEMENT: DES RISQUES DE MORT OU DE BLESSURES GRAVES PEUVENT SURVENIR SI DES RÉPARATIONS ÉLECTRIQUES SONT EFFECTUÉES PAR DES PERSONNES INCOMPÉTENTES.

12. Toute réparation ou câblage électrique effectué sur le nettoyeur doit être réalisé par le Personnel de Service Autorisé et selon les dispositions électriques en vigueur.
13. Avant d'ouvrir n'importe quel boîtier électrique, coupez toujours le nettoyeur haute pression, relâchez la pression et débranchez la machine de la source d'énergie. Laissez le nettoyeur haute pression refroidir. Ne partez pas du principe qu'il est sans risque d'effectuer un travail sur le nettoyeur haute pression juste parce qu'il n'est pas en route. Il pourrait se remettre en marche à tout moment! Tout travail doit s'effectuer dans un endroit propre, sec, et plat.




INSTRUCTIONS IMPORTANTES DE SÉCURITÉ



MESURES DE PRÉCAUTION -- PULVÉRISATION

RISQUE D'INJECTION OU DE COUPURE GRAVE

 **DANGER: NE PAS SE PLACER EN FACE DE LA BUSE. NE DIRIGER LE JET NI SUR DES PERSONNES NI SUR DES ANIMAUX DOMESTIQUES. APPLIQUER SYSTÉMATIQUEMENT LES MESURES DE PRÉCAUTION ÉLÉMENTAIRES, COMME:**

1. SE TENIR À L'ÉCART DU JET! Ne JAMAIS mettre la main, les doigts ou une partie du corps directement sur la buse de pulvérisation.
2. Ne JAMAIS diriger le pistolet ni vers soi ni vers quiconque.
3. Ce produit doit être employé exclusivement par les utilisateurs qualifiés.
4. Éloigner toute personne de la zone d'utilisation de l'appareil.
5. NE JAMAIS LAISSER LES ENFANTS OU LES ADOLESCENTS FAIRE FONCTIONNER CET APPAREIL.
6. En cas d'accident, si le jet semble avoir pénétré sous la peau, OBTENIR DES SOINS MÉDICAUX D'URGENCE. NE PAS TRAITER LA BLESSURE COMME UNE COUPURE ORDINAIRE.!
7. Inspecter tous les jours les flexibles haute pression pour y déceler tout signe d'usure. Remplacer sans délai tous les flexibles suspects pour éviter toute blessure éventuelle sous l'effet de la pression élevée du jet. Si un flexible ou un raccord fuit, ne JAMAIS mettre la main directement sur la fuite.
8. Ne JAMAIS utiliser le pistolet en bloquant la détente en position d'ouverture à l'aide d'un fil. Pour éviter toute décharge accidentelle, verrouiller la détente du pistolet lorsque ce dernier n'est pas utilisé.
9. NE PAS déplacer l'appareil en le tirant par son flexible.
10. Même après arrêt de l'appareil, la pompe, le flexible et le pistolet contiennent toujours de l'eau sous pression qui n'est libérée que lorsqu'on appuie sur la détente du pistolet. Avant de déposer la buse de pulvérisation ou d'entretenir l'appareil, TOUJOURS arrêter l'appareil et actionner la détente pour libérer la pression
11. Ne JAMAIS laisser l'appareil sans surveillance lorsqu'il est sous pression. L'arrêter et libérer la pression avant de s'éloigner.

MESURES DE PRÉCAUTION -- DIVERSES

DANGER RISQUE D'EXPLOSION

 **AVERTISSEMENT: IL Y A UN RISQUE DE MORT OU DE BLESSURES GRAVES DUES À DES ÉTINCELLES NORMALES DANS LE MOTEUR.**

1. Ou d'incendie ne pas placer l'appareil à un endroit susceptible de contenir des vapeurs inflammables, car une étincelle pourrait y provoquer une explosion ou un incendie.
2. N'employez pas ce nettoyeur haute pression pour pulvériser un matériau inflammable!

RISQUE D'ASPHYXIE:

 **AVERTISSEMENT: LA MORT OU DE GRAVES BLESSURES POURRAIENT SURVENIR SI VOUS INHALEZ DES GAZ DANGEREUX REJETÉS.**

1. Suivez toutes les instructions de sécurité fournies avec les matériaux que vous pulvérisiez. L'utilisation d'un respirateur peut être exigée en travaillant avec certains matériaux. N'utilisez pas ce nettoyeur haute pression pour vaporiser des détergents dangereux.

⚠ INSTRUCTIONS IMPORTANTES DE SÉCURITÉ ⚠

RISQUE D'ÉCLATEMENT:

⚠ AVERTISSEMENT DE GRAVES BLESSURES PEUVENT SURVENIR SUITE À UNE DYSFONCTION DU COMPRESSEUR OU À L'EXPLOSION D'ACCESSOIRES SI DES COMPOSANTS DU SYSTÈME, DES RAJOUTS OU DES ACCESSOIRES INADÉQUATS SONT UTILISÉS.

1. Ne jamais modifier les pressions établies en usine.
2. Ne jamais excéder la valeur maximale de pression recommandée des accessoires établis par le fabricant.
3. N'utiliser que des pièces d'origine pour exécuter les réparations nécessaires.

⚠ AVERTISSEMENT: DE GRAVES BLESSURES PEUVENT RÉSULTER D'UNE DYSFONCTION DE LA MACHINE OU D'ÉLÉMENTS EXPLOSIFS SI LES COMPOSANTS OU LES ACCESSOIRES DE LA MACHINE SONT INADÉQUATS.

4. Si la température ambiante est inférieure au point de congélation, l'appareil doit toujours être assez chaud pour empêcher la formation de glace dans la pompe. NE PAS mettre l'appareil en marche s'il a été transporté dans un véhicule découvert ou dépourvu de chauffage sans faire dégeler la pompe.

RISQUE PROVENANT DES PIÈCES MOBILES:

⚠ AVERTISSEMENT: LES PIÈCES MOBILES PEUVENT PROVOQUÉES DE GRAVES BLESSURES..

1. Ne JAMAIS régler l'appareil lorsqu'il est sous tension..
2. Ne pas faire fonctionner l'appareil sans que les couvercles de protection ne soient en place.
3. Avant d'entretenir l'appareil, l'arrêter, débrancher de la source d'alimentation, en évacuer l'eau sous pression, et le laisser refroidir. L'entretenir sur une surface propre, sèche et plane.
4. Appliquer les directives d'entretien énoncées dans ce manuel.

RISQUE DE BLESSURES CORPORELLES:

⚠ AVERTISSEMENT: DE SÉRIEUSES BLESSURES PEUVENT ÊTRE CAUSÉES PAR DES DÉBRIS PROPULSÉS À HAUTE VITESSE À PARTIR DU PISTOLET PULVÉRISATEUR.

1. TOUJOURS porter des lunettes de protection lorsqu'on utilise l'appareil, pour s'abriter des projections de débris et de détergent. .
2. Éviter de diriger le jet sur des substances comme le verre qui, si elles se brisent, peuvent blesser gravement.

⚠ AVERTISSEMENT: L'UTILISATEUR POURRAIT SE BLESSER S'IL PERD L'ÉQUILIBRE À CAUSE DE LA POUSSÉE D'EAU À HAUTE PRESSION DANS LA BUSE PULVÉRISATRICE.

1. Rester vigilant et conscient de chacun de ses gestes. Ne pas utiliser l'appareil lorsqu'on est fatigué ou qu'on a pris de l'alcool ou des médicaments.
2. Ne JAMAIS actionner la détente sans s'arc-bouter solidement. À la sortie de la buse, le jet a une force suffisante pour faire perdre l'équilibre si on ne s'est pas préparé. Se tenir bien d'aplomb, sur une surface stable. Comme les surfaces mouillées peuvent être glissantes, porter des bottes de protection et veiller à ne jamais perdre l'équilibre. Ne JAMAIS actionner la détente lorsqu'on est sur une échelle ou sur un toit.

⚠ AVERTISSEMENT: LE NETTOYEUR HAUTE PRESSION PEUT BLESSER.

1. TOUJOURS tenir fermement l'ensemble pistolet/lance lors de la mise en marche et pendant l'utilisation de l'appareil. Sinon, la lance peut s'échapper et fouetter dangereusement.
2. Il importe de savoir comment arrêter rapidement l'appareil de lavage sous pression et en évacuer la pression, et de bien connaître les commandes.



⚠ INSTRUCTIONS IMPORTANTES DE SÉCURITÉ ⚠



MESURES DE PRÉCAUTION -- NETTOYAGE AU DÉTERSIF

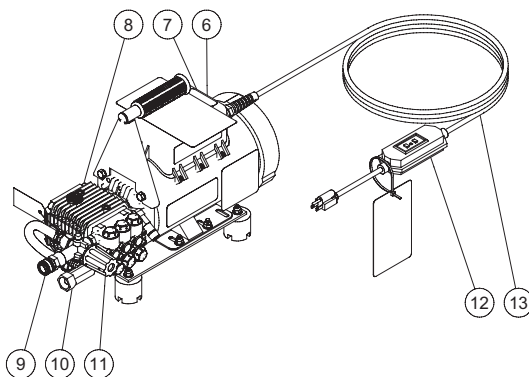
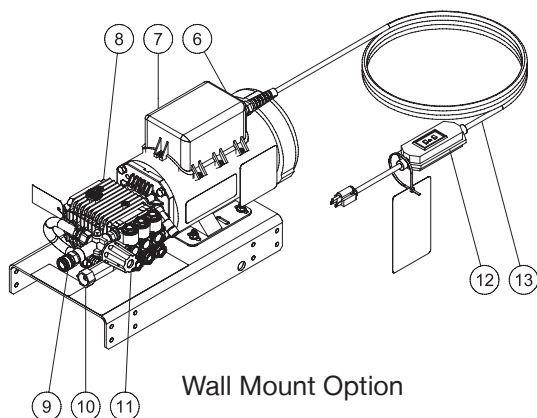
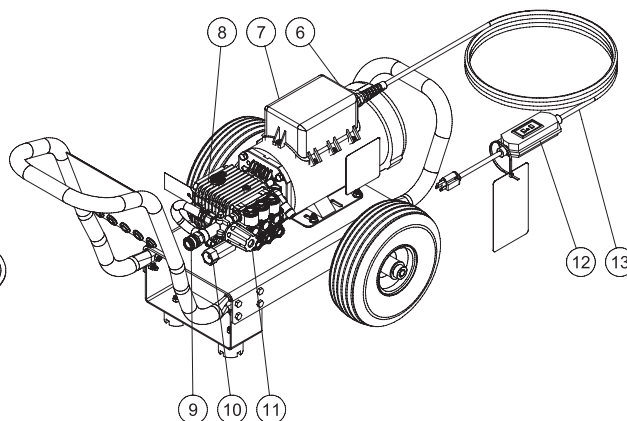
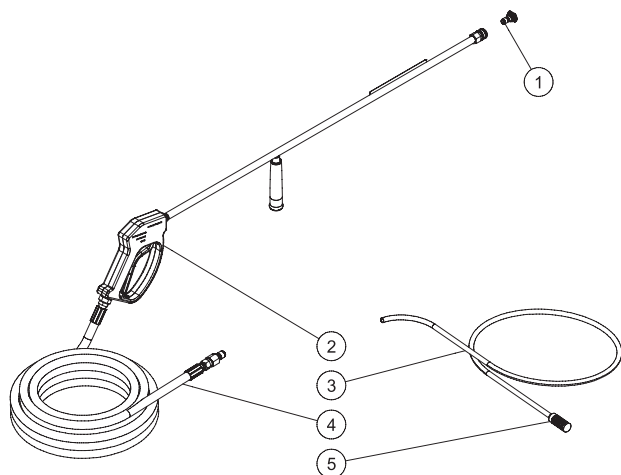
RISQUE DE BLESSURES CORPORELLES:

⚠ AVERTISSEMENT: LA MORT OU DES BLESSURES GRAVES PEUVENT SURVENIR SI DES DÉTERGENTS ENTRENT EN CONTACT AVEC LA PEAU.

1. NE PAS utiliser de solvants, de détergers hautement corrosifs ou de produits de nettoyage de type acide avec cet appareil de lavage sous pression. N'utiliser que des détergers doux.
2. BIEN CONNAÎTRE LES DÉTERSIFS EMPLOYÉS. Être en mesure d'en indiquer le type exact au médecin consulté en cas d'urgence. Lire la fiche technique santé-sécurité (FTSS) qui figure sur l'étiquette de tous les détergers. Appliquer toutes les directives relatives à la préparation, à l'utilisation, à la sécurité et au transport. .
3. En outre, il est conseillé de porter des vêtements de caoutchouc, des gants et un masque filtrant, en particulier lorsqu'on emploie du déterger.
4. Entreposer les détergers hors de portée des enfants.

⚠ ! GARDEZ CES INSTRUCTIONS ! ⚠

CARACTÉRISTIQUES DE PETITE

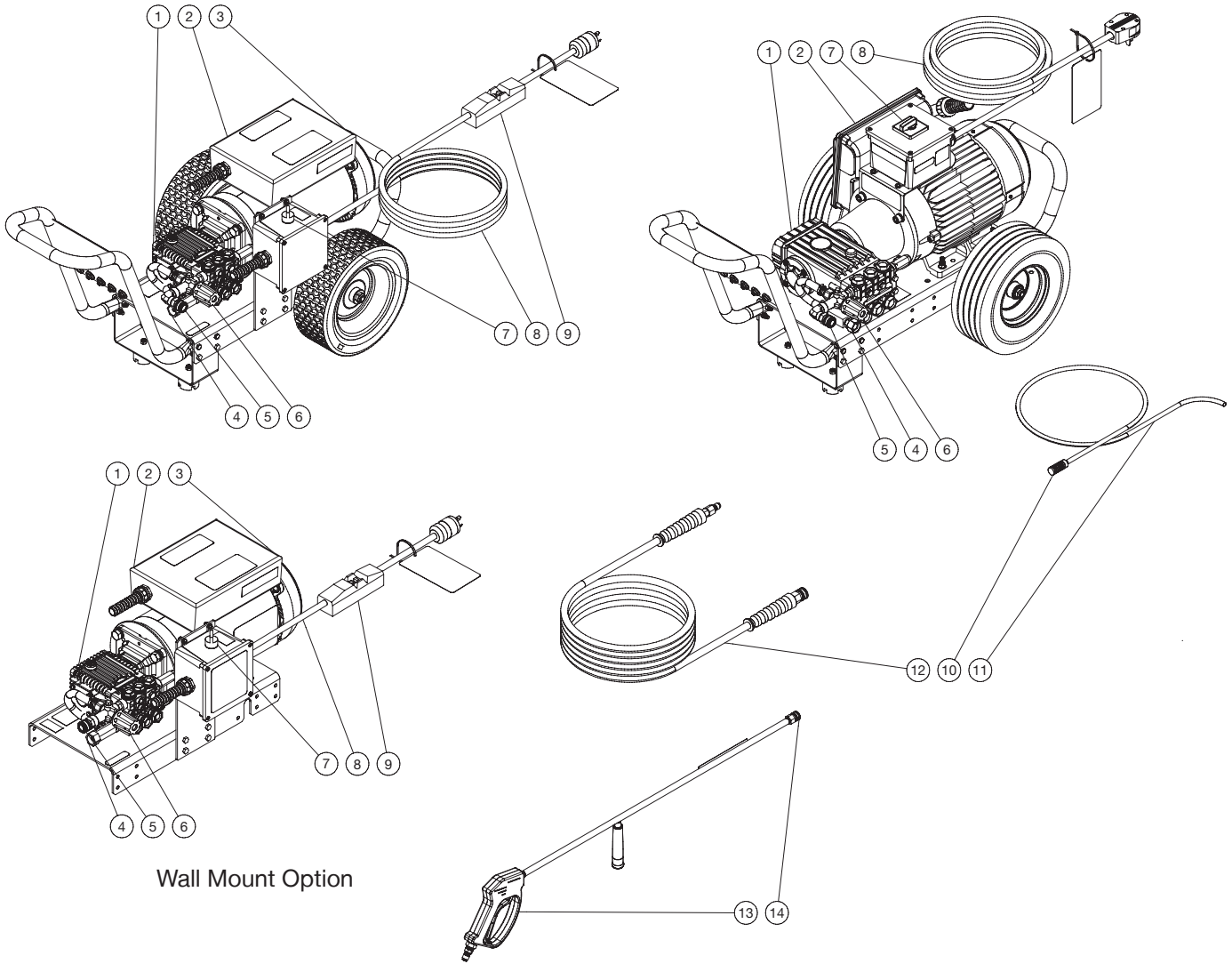


CA-SM GENERIC ELECTRIC FEATURES 120717 ADR

1. Buses à raccords rapides
2. Pistolet à lance vissable
3. Flexible du détersif
4. Flexible de décharge à haute pression
5. Filtre à tamis du détersif
6. Interrupteur marche/arrêt
7. Moteur

8. Pompe
9. Sortie d'eau
10. Admission d'eau
11. Bouton de réglage de la pression de décharge
12. Disjoncteur de fuite à la terre du cordon d'alimentation
13. Cordon d'alimentation:

CARACTERISTIQUES GRAND



DC-2503_3004-A1E2G FEATURES 040222

Wall Mount Option

- | | |
|---|---|
| 1. Pompe | 9. Disjoncteur de fuite à la terre du cordon d'alimentation |
| 2. Moteur | 10. Filtre à tamis du détersif |
| 3. Motor overload | 11. Flexible du détersif |
| 4. Admission d'eau | 12. Flexible de décharge à haute pression |
| 5. Sortie d'eau | 13. Pistolet à lance vissable |
| 6. Bouton de réglage de la pression de décharge | 14. Buses à raccords rapides |
| 7. Interrupteur marche/arrêt | |
| 8. Cordon d'alimentation: | |

AUTOCOLLANTS DE SÉCURITÉ ET EMPLACEMENT

N'ENLEVEZ LES AUTO-COLLANTS DE L'UNITÉ SEULEMENT QUE POUR LES REMPLACER PAR DES PLUS RÉCENTS.

Autocollant d'avertissement (Part # 34-1473 or 34-4068)

⚠ CAUTION / PRECAUCION	
RISK OF INJURY 1. Read operator's manual carefully before using. 2. Spray gun can kick back. Hold with both hands. 3. Risk of eye injury. Always wear eye protection. 4. See the operator's manual for proper chemical usage.	RIESGO DE LESIONES 1. Lea cuidadosamente el manual del operador antes de usar. 2. El revolver rociadora puede retroceder violentamente. Sujétela con ambas manos. 3. Riesgo de lesiones a los ojos. Use siempre protección para los ojos. 4. Para un uso químico apropiado consulte el Manual del Operador.
IMPORTANT / IMPORTANTE	
<ul style="list-style-type: none"> For indoor and outdoor use. Store indoors. Avoid pump damage. Protect from freezing. Do not run for more than 3 minutes with spray gun not triggered. If connected to a circuit protected by fuses, use time-delay fuses only. 34-1473/081712	<ul style="list-style-type: none"> Para uso interior y exterior. Almacene bajo techo. Evite daños a la bomba. Protéjala contra la congelación. No haga funcionar por más de 3 minutos sin accionar el gatillo de la pistola. Si se conecta a un circuito protegido por fusibles, use fusibles con retardo solamente.

Étiquette-Risque d'électrocution (Part # 34-1035)

⚠ WARNING	
RISK OF ELECTROCUTION. DO NOT REMOVE THIS TAG.	
1. Connect only to a properly grounded outlet. Do not remove ground pin. 2. Inspect cord before using. Do not use if cord is damaged. 3. Keep all connections dry and off the ground. 4. Do not touch plug with wet hands. 5. This unit may be provided with a Ground Fault Circuit Interrupter (GFCI) built into the power cord plug. If replacement of the plug or cord is needed, use only identical replacement parts. If this unit is not provided with a GFCI, this unit should only be connected to a power supply receptacle protected by a ground fault circuit interrupter. 6. Do not use an extension cord with this machine. 7. Read the operator's manual before using.	
FAILURE TO FOLLOW THE ABOVE INSTRUCTIONS COULD RESULT IN A SEVERE ELECTRICAL SHOCK.	
<small>34-1035-E/F/S-111899-ENG</small>	

Autocollant d'avertissement - Risque d'injection/Explosion (Part # 34-1017)

⚠ WARNING		⚠ ADVERTENCIA	
	RISK OF EXPLOSION: Do not spray flammable liquids. RISK OF ELECTROCUTION: Do not spray electrical apparatus and wiring. RISK OF INJECTION OR SEVERE CUTTING INJURY: Keep clear of nozzle. Do not direct discharge stream at persons.	RIESGO DE EXPLOSIÓN: No rocíe líquidos inflamables. RIESGO DE ELECTROCUCIÓN: No rocíe el aparato y el cableado eléctricos. RIESGO DE INYECCIÓN O LESIÓN DE CORTE: Manténgase alejado de la boquilla. No dirija la corriente de descarga hacia las personas.	34-1017/080612

Autocollant d'avertissement Risk of Electrocution (Part # 34-1471 or 34-3398)

⚠ WARNING ⚠ ADVERTENCIA	
RISK OF ELECTROCUTION. DO NOT REMOVE THIS TAG.	
1. Connect only to a properly grounded outlet. Do not remove ground pin. 2. Inspect cord before using. Do not use if cord is damaged. 3. Keep all connections dry and off the ground. 4. Do not touch plug with wet hands. 5. This unit may be provided with a Ground Fault Circuit Interrupter (GFCI) built into the power cord plug. If replacement of the plug or cord is needed, use only identical replacement parts. If this unit is not provided with a GFCI, this unit should only be connected to a power supply receptacle protected by a ground fault circuit interrupter. 6. Do not use an extension cord with this machine. 7. Read the operator's manual before using.	
FAILURE TO FOLLOW THE ABOVE INSTRUCTIONS COULD RESULT IN A SEVERE ELECTRICAL SHOCK.	
RIESGO DE ELECTROCUCIÓN. NO RETIRE ESTA CALCOMANIA.	
1. Conecte solamente a una toma corriente que está bien fundado. No quite la pata de conexión de la tierra. 2. Antes de usar inspeccione la cuerda. No use si la cuerda está dañando. 3. Mantenga las conexiones secas y apartados de la tierra. 4. No torque el enchufe con manos mojadas. 5. Este producto debe conectarse a tierra. Asegúrese de que la lavadora a presión esté equipada con un Interruptor de circuito de falla a tierra (Ground Fault Circuit Interrupter, GFCI) incorporado en el cordón de alimentación. Si no lo tiene, debe conectarse la lavadora a presión únicamente en un receptáculo que esté protegido por un Interruptor de circuito de falla a tierra. Desconéctela cuando no esté en uso. 6. No use una cuerda extensión con la unidad. 7. Antes de usar lea y entienda todas las instrucciones y el manual de operación.	
EL NO SEGUIR LAS INSTRUCCIONES DE ARRIBA PUEDE RESULTAR EN UN CHOQUE ELECTRICO GRAVE.	
<small>34-1471/081712</small>	

Autocollant d'avertissement Potable Water (Part # 34-1477)

⚠ WARNING/ADVERTENCIA	
If connection is made to a potable water system, the system shall be protected against backflow.	Si la conexión se hace a un sistema de agua potable, el sistema será protegido contra la expulsión.
<small>34-1477/080612</small>	

Autocollant d'avertissement Risk of Injection (Part # 34-1253)

⚠ WARNING		⚠ ADVERTENCIA	
	RISK OF INJECTION OR SEVERE INJURY Never put your hand, fingers or body directly over the spray nozzle.	RIESGO DE INYECCIÓN O LESIÓN SEVERA Nunca coloque la mano, los dedos o el cuerpo directamente sobre la boquilla de rocío.	34-1253/0727012



INSTALLATION ET PRÉPARATION

TENUE VESTIMENTAIRE :

Le port d'une tenue vestimentaire appropriée est essentiel à la sécurité des utilisateurs. Il est conseillé d'employer tous les moyens voulus pour se protéger les yeux, les oreilles et la peau. Le port d'un équipement de protection supplémentaire (comme un masque respiratoire) peut être nécessaire lors de l'emploi d'agents nettoyants détergents dans l'appareil.

AVERTISSEMENT: RISQUE D'EXPLOSION OU D'INCENDIE

NE PAS PLACER L'APPAREIL À UN ENDROIT SUSCEPTIBLE DE CONTENIR DES VAPEURS INFLAMMABLES, CAR UNE ÉTINCELLE POURRAIT Y PROVOQUER UNE EXPLOSION OU UN INCENDIE.

RISQUE D'EXPLOSION DE L'APPAREIL

NE PAS ENTREPOSER OU FAIRE FONCTIONNER L'APPAREIL À TEMPÉRATURE INFÉRIEURE AU POINT DE CONGÉLATION DE L'EAU.

MISE EN OEUVRE :

1. N'installer cet appareil qu'à l'horizontale et sur une surface plane, pour permettre une bonne lubrification de la pompe à eau pendant le fonctionnement. Ne pas exposer l'appareil à la pluie, à la neige ou au gel. Ne JAMAIS pulvériser d'eau directement sur l'appareil.
2. Ne pas placer l'appareil à un endroit:
 - a. où on a décelé des fuites d'essence ou de gaz.
 - b. susceptible de contenir des vapeurs inflammables.
3. Ne pas exposer l'appareil à la pluie, à la neige ou au gel. Si l'une de ses pièces gèle, la pression peut devenir excessive et faire exploser l'appareil, en blessant gravement son utilisateur ou les personnes que se trouvent à proximité.
4. Le niveau d'huile de pompe doit être vérifié avant chaque utilisation. Assurez-vous que l'huile est au centre de l'orifice de vérification d'huile. Si le niveau d'huile est bas, remplissez avec de l'huile de pompe

OPTIONS DE MONTAGE MURAL: VOIR PAGE 40.

BRANCHEMENT DU CORDON D'ALIMENTATION:

1. Assurez-vous que le commutateur du moteur est en position «off».
2. Assurez-vous que l'alimentation électrique est conforme aux caractéristiques stipulées de la plaque de données de la machine.
3. **INSTRUCTIONS POUR LA MISE A LA TERRE:** Ce produit doit être raccordé à la terre. Si une dysfonction ou une panne devait survenir, la masse fournit un circuit de résistance moindre pour le courant électrique afin de réduire le risque de décharge. Ce produit est équipé d'un fil électrique ayant un conducteur pour la terre et une prise de masse. La fiche doit être branchée à une sortie appropriée correctement installée et reliée à la terre selon tous les codes et dispositions en vigueur locaux.
4. **DANGER:** Un mauvais raccordement du conducteur de masse peut avoir comme conséquence un risque d'électrocution. Vérifiez avec un électricien ou un personnel de service qualifié si vous avez un doute quant au raccordement de la masse. Ne modifiez pas la prise fournie avec le produit – si elle ne rentre pas dans la prise de courant, faites installer une prise appropriée par un électricien qualifié. N'employez aucun type d'adaptateur avec ce produit.
5. **GFCI (DISJONCTEUR DIFFÉRENTIEL à FAUTE de TERRE):**
 - a. **1502/2503:** Si cette machine est fournie avec le GFCI (Ground Fault Circuit Interrupter : Disjoncteur différentiel) dans la prise ou le cordon d'alimentation, examinez le GFCI chaque fois qu'il est branché à une sortie selon les instructions du GFCI. N'utilisez pas la machine si l'essai échoue! Le GFCI assure une protection supplémentaire en cas de risque de décharge électrique. Si le remplacement de la prise ou du cordon devient nécessaire, employez seulement des pièces de rechange identiques qui incluent la protection GFCI.
 - b. **3004:** Si cet appareil n'est pas fourni avec un GFCI, il doit en revanche être exclusivement relié à un réceptacle protégé par un GFCI afin de se conformer au code électrique national (NFPA 70) et fournir une protection supplémentaire contre le risque de décharge électrique.

DANGER: RISQUE D'ELECTROCUTION!

CET APPAREIL DOIT ÊTRE CONNECTÉ À UNE PRISE MISE À LA TERRE. N'UTILISEZ PAS D'ADAPTATEUR ET NE RETIREZ PAS LE CONNECTEUR DE TERRE

AVERTISSEMENT: RISQUE D'ELECTROCUTION!

BRANCHER L'APPAREIL À UNE PRISE MISE À LA TERRE N'UTILISER AUCUN ADAPTATEUR ET NE JAMAIS SUPPRIMER LA FICHE DE MISE À LA TERRE.

INSTALLATION ET PRÉPARATION

6. **RALLONGES ÉLECTRIQUES:** Le fabricant NE RECOMMANDE PAS L'UTILISATION DE RALLONGES ÉLECTRIQUES! Si l'utilisation d'une rallonge électrique est inévitable, elle doit être branchée à un GFCI se trouvant dans des boîtiers de circuit ou des réceptacles protégés. Lors de l'utilisation d'une rallonge électrique, consultez un électricien qualifié pour déterminer la mesure appropriée de fil électrique requise pour la longueur de la rallonge électrique.

MONOPHASÉ: Utiliser exclusivement des rallonges électriques à trois fils qui ont des prises à trois connecteurs ainsi qu'une prise femelle à trois connecteurs acceptant la prise du produit.

TRIPHASÉ: Utiliser exclusivement des rallonges électriques à quatre fils qui ont une prise de terre et trois connecteurs ainsi qu'une prise femelle à quatre connecteurs acceptant la prise du produit.

Utiliser exclusivement des rallonges qui sont prévues pour l'usage extérieur. Ces rallonges sont identifiées par une inscription « approprié pour fonctionner avec des appareils extérieurs; ranger en intérieur entre chaque utilisation. » Utilisez seulement les rallonges ayant une intensité électrique au moins égale à l'intensité électrique du produit. N'employez pas de rallonges électriques abîmées. Examinez la rallonge avant chaque utilisation et remplacez-la si elle est endommagée. Ne malmenez pas la rallonge et ne tirez sur aucun fil pour le débrancher. Tenez le fil électrique à l'écart de la chaleur et des bords coupants. Branchez et débranchez toujours la rallonge électrique du réceptacle avant de brancher ou débrancher celle-ci de l'appareil.

7. Assurez-vous que l'endroit se trouvant entre le fil de la machine et la prise est au sec.
8. Insérez la fiche mâle dans une prise de courant alternatif mise à la terre. N'utilisez pas un adaptateur ou ne retirez pas la prise de terre!!

BUSES À RACCORDS RAPIDES:

Différentes buses à montage rapide peuvent être installées à l'extrémité de la lance pour modifier la pulvérisation ou vaporiser du détergent. Lors de l'utilisation des raccords rapides, s'assurer que le raccordement est solidement enclenché comme indiqué à droite. En cas contraire, l'eau à haute pression risque de violemment projeter la buse de la lance, causant des blessures graves et des dégâts sérieux. Pour déterminer l'angle de dispersion de pulvérisation, se reporter au numéro exact gravé sur la buse. Les deux premiers chiffres indiquent le degré d'angle de dispersion de pulvérisation: 00=0°, 15=15°, 25=25°, 40=40°, 60=65°.

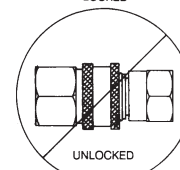
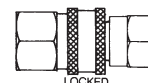
1. La buse 0° (ROUGE): C'est une buse décupante. Elle fournit un jet d'eau très concentré. Être très prudent lors de l'utilisation de ce jet étroit et droit. Il est déconseillé de l'utiliser sur les surfaces peintes ou en bois ou sur les objets attachés par un dos adhésif. Utilisations: enlèvement des herbes dans les fissures des trottoirs, enlèvement des taches récalcitrantes sur le béton, la maçonnerie, l'aluminium et l'acier, des boues desséchées adhérant au matériel et nettoyage du dessous des tondeuses à gazon.
2. La buse 15° (JAUNE): C'est une buse de raclage. Le jet doit être dirigé à un angle de 45° par rapport à la surface et doit être utilisé comme un grattoir pour l'enlèvement de la peinture, de la graisse et des saletés. Utilisations: Préparation des surfaces (élimination des taches de moisissure et des écailles de peintures).
3. La buse 25° (VERTE): C'est une buse de balayage. Son motif de pulvérisation est idéal pour éliminer la poussière, la boue et autres saletés. Utilisations: nettoyage de feuilles mortes sur les trottoirs, les bords de trottoirs et les allées, nettoyage du sol des étables, du fond des piscines, dégraissage des moteurs.



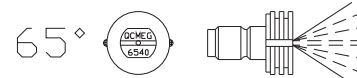
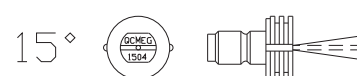
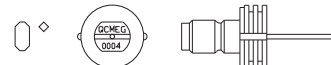
AVERTISSEMENT: RISQUE D'INJECTION CAUSE DE BLESSURES GRAVES

NE JAMAIS REGARDER DIRECTEMENT DANS L'ORIFICE DE LA BUSE, SAUF SI ELLE EST DÉMONTÉE DE L'ENSEMBLE PISTOLET/LANCE.

RACCORDS RAPIDES



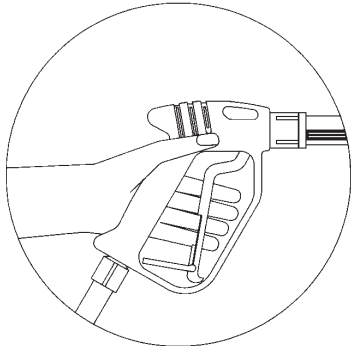
QUICK-CONNECT (Q.C.)



INSTALLATION ET PRÉPARATION

AVERTISSEMENT: RISQUE DE BLESSURES GRAVES

VERROUILLER LA DÉTENTE DU PISTOLET LORSQUE CE DERNIER N'EST PAS UTILISÉ.

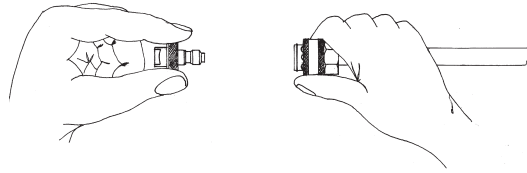


4. La buse 40° (BLANCHE): C'est une buse de lavage. Ce large motif de pulvérisation disperse l'eau sur une très grande surface et est recommandé pour les lavages modérés. Utilisations: lavage des revêtements de maisons en aluminium, des fenêtres, des véhicules, pulvérisation des trottoirs, des allées et des patios.
5. La buse 65°: (fourni avec la lance double): C'est une buse à détergents. L'ample motif de pulvérisation distribue les solutions sur des surfaces vastes. Utilisations: application de détergent, brumisation ou rinçage.

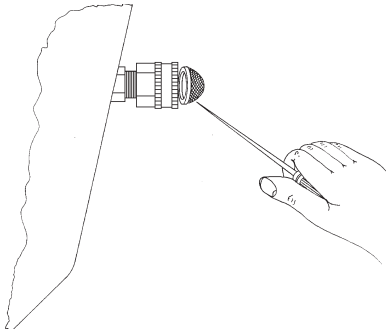
PISTOLET :

1. S'assurer que la détente du pistolet est verrouillée. Voir la MISE EN GARDE, à gauche.
2. Démontez la buse du pistolet à ce moment en rétractant l'anneau de blocage sur le raccord rapide, ce qui va libérer la buse.

RACCORDS RAPIDES



VÉRIFICATION DU FILTRE À TAMIS DE L'ADMISSION D'EAU



ALIMENTATION EN EAU :

1. Utiliser un flexible d'alimentation en eau de type tuyau d'arrosage, de D.I. d'au moins 19,05 mm (¾ po) et de moins de 15 m (50 pi).
2. S'assurer que le filtre est propre et non colmaté. Le nettoyage périodique du filtre à tamis permet d'éviter des pannes de pompe. Lorsqu'il est colmaté, le filtre réduit le débit d'eau qui alimente la pompe, ce qui provoque de la cavitation et la défaillance prématurée des joints d'étanchéité de la pompe. Avec un tournevis, déposer le filtre de l'appareil. Le nettoyer ou, au besoin, le remplacer.
3. Raccorder:
 - a. une des extrémités du flexible d'alimentation en eau à l'admission d'eau de l'appareil,
 - b. et l'autre, au réseau d'alimentation en eau sous pression.

REMARQUE: Ne pas raccorder l'appareil à une source d'alimentation en eau à la pression ambiante (puits, mare, etc.).

- c. le flexible de décharge à haute pression à la sortie d'eau de l'appareil.
4. Se conformer aux exigences relatives à l'alimentation en eau suivantes :
 - a. Pression d'eau d'au moins 137,895 kPa (20 lb/po²) et d'au plus 861,84 kPa (125 lb/po²). (Lorsqu'il est complètement ouvert, un robinet de prise d'eau extérieure débite à une pression de cet ordre.)
 - b. Débit d'alimentation d'environ 3,8 l (1 gal) supérieur à celui indiqué sur la plaque signalétique de l'appareil de lavage sous pression. (Pour calculer le débit en l/min (gal/min), on mesure le temps nécessaire pour remplir un récipient de 19 l (5 gal).
 - c. Température de l'eau d'alimentation inférieure à 60°C (140°F). Au-dessus de cette température, la pompe s'endommage anormalement.
 5. Ne JAMAIS faire fonctionner l'appareil sans alimentation en eau (robinet complètement ouvert).

INSTALLATION ET PRÉPARATION

CLAPET DE DÉCHARGE:

Le clapet de décharge de l'appareil comporte un bouton de réglage de la pression. Pour réduire la pression, tourner ce bouton dans le sens antihoraire; pour rétablir la pression maximale, le tourner à fond dans le sens horaire. **NE PAS LE SERRER EXCESSIVEMENT.**

VALVE D'EVACUATION DE CHALEUR:

Pour être certain que la température de l'eau ne soit pas trop élevée, ne faites jamais fonctionner le nettoyeur en mode by-pass (l'appareil étant en marche et le pistolet verrouillé) pendant plus de trois minutes.

On a installé une "soupape d'évacuation de la chaleur" sur cette unité afin de protéger la pompe. Il se peut que la soupape commence à s'ouvrir et à relâcher de l'eau si la température de l'eau dans la pompe a dépassé les 60°C, ce qui permet de laisser de l'eau fraîche et froide entrer dans le système.



AVERTISSEMENT: RISQUE D'ENDOMMAGER L'APPAREIL

NE PAS SERRER LE CLAPET DE DÉCHARGE AU POINT DE LE BRISER, CE QUI ENTRAÎNERAIT UNE PERTE IMMÉDIATE DE LA PRESSION D'EAU ET DES RÉPARATIONS CÔUTEUSES.

INSPECTION AVANT MISE EN MARCHÉ:

Avant de mettre l'appareil en marche :

1. S'assurer que les cordons électriques pour sont exempts de coupure. Si on décèle une coupure, **NE PAS TOUCHER OU UTILISER LE CORDON ELECTRIQUE.** Le remplacer avant de mettre l'appareil en marche.
2. Vérifier le niveau d'huile de la pompe.
3. Inspecter le filtre de l'admission d'eau. Le nettoyer et, au besoin, le remplacer. Voir «Alimentation en eau».
4. S'assurer que tous les raccords des flexibles sont bien serrés. Voir «Alimentation en eau».
5. S'assurer de l'absence de fuite d'eau ou d'huile. Avant de faire fonctionner l'appareil, s'assurer que toutes les pièces endommagées ont été remplacées et que toutes les pannes mécaniques ont été corrigées. Pour tout entretien, s'adresser à un centre d'entretien agréé.
6. S'assurer que le flexible haute pression est exempt de pliure, de coupure ou de fuite. Si on décèle une coupure ou une fuite, **REPLACER LE FLEXIBLE** avant de remettre l'appareil en marche. Avant de faire fonctionner l'appareil, s'assurer que toutes les pièces endommagées ont été remplacées et que toutes les pannes mécaniques ont été corrigées.



AVERTISSEMENT



LES PAGES SUIVANTES CONTIENNENT DES DIRECTIVES RELATIVES AU FONCTIONNEMENT ET À L'ENTRETIEN DE L'APPAREIL.

NE PAS TENTER DE FAIRE FONCTIONNER L'APPAREIL SANS AVOIR LU ET COMPRIS TOUTES LES MESURES PRÉCAUTION ET TOUTES LES DIRECTIVES INDIQUÉES DANS CE MANUEL.

MAL UTILISÉ, CET APPAREIL PEUT CAUSER DE GRAVES BLESSURES.

N'APPORTER AUCUNE TRANSFORMATION OU MODIFICATION À CET APPAREIL.

DIRECTIVES D'UTILISATION

AMORÇAGE DE LA POMPE:

1. Il est indispensable d'amorcer la pompe lors de la mise en marche initiale, puis chaque fois qu'on a débranché l'appareil de l'alimentation en eau.
2. Dérouler le flexible haute pression pour supprimer toutes les boucles. Si ce flexible comporte des boucles, l'écoulement de l'eau les resserre.
3. Visser à fond l'ensemble pistolet/lance au flexible haute pression .
REMARQUE : Pour le moment, ne pas visser la tête de lance au pistolet. Voir «Pistolet».
4. Après avoir verrouillé la détente, ouvrir à fond l'alimentation en eau. Orienter le pistolet dans une direction sécuritaire, déverrouiller la détente et l'actionner.
5. De l'eau à basse pression s'échappe de l'ensemble flexible/pistolet, ce qui amorce l'appareil et évacue tout l'air du circuit. L'appareil est amorcé lorsque l'écoulement d'eau n'est plus interrompu par des arrivées d'air.
6. Lorsque l'appareil est amorcé, lâcher la détente et la verrouiller. Bien visser la tête de lance à buse réglable.

MISE EN MARCHÉ DE L'APPAREIL:

1. Prendre connaissance des «Mesures de précaution», avant de mettre l'appareil en marche.
2. Trouver les autocollants de sécurité de l'appareil et tenir compte des mises en garde qui y figurent.
3. Verrouiller la détente, et diriger le pistolet loin de soi ou de toute autre personne. S'assurer que l'alimentation en eau est ouverte à fond.
4. Déverrouiller et actionner la détente. De l'eau à basse pression s'échappe de la buse.
5. Avant de mettre l'appareil en marche, s'arc-bouter solidement en prévision du recul que la pression créée par la pompe imprime au pistolet.
6. Mettre l'interrupteur marche/arrêt à MARCHÉ.
7. Une fois que l'appareil est en marche, exécuter les opérations suivantes:
 - a. S'assurer de l'absence de fuite d'eau ou d'huile. Si on décèle une fuite, ARRÊTER IMMÉDIATEMENT L'APPAREIL. Avant de faire fonctionner l'appareil, s'assurer que toutes les pièces endommagées ont été remplacées et que toutes les pannes mécaniques ont été corrigées. Pour tout entretien, s'adresser au service à la clientèle.
 - b. S'assurer que le flexible haute pression est exempt de pliure, de coupure ou de fuite. Si on décèle une coupure ou une fuite, NE PAS TOUCHER LE FLEXIBLE, ET ARRÊTER IMMÉDIATEMENT L'APPAREIL. Remplace la flexible avant de remettre l'appareil en marche. Voir «Mesures de précaution diverses. Avant de faire fonctionner l'appareil, s'assurer que toutes les pièces endommagées ont été remplacées et que toutes les pannes mécaniques ont été corrigées. Pour tout entretien, s'adresser au service à la clientèle.
 - c. S'assurer que les cordons électriques pour sont exempts de coupure. Si on décèle une coupure, NE PAS TOUCHER OU UTILISER LE CORDON ELECTRIQUE. Le remplacer avant de mettre l'appareil en marche.
8. Actionner la détente à plusieurs reprises. Appuyez plusieurs fois sur le poussoir. Vérifiez que vous avez VERROUILLE le pistolet en position "OFF" lorsque vous changer l'ajutage. Ne JAMAIS regarder directement dans la buse. L'eau sous haute pression présente un risque de blessures graves!
9. Ne pas laisser l'appareil fonctionner en mode de dérivation pendant plus de trois minutes sans actionner la détente du pistolet. Le non-respect de cette règle simple peut causer une défaillance prématurée des joints d'étanchéité de la pompe, donc une réparation coûteuse.



AVERTISSEMENT: RISQUE D'INJECTION CAUSE DE BLESSURES GRAVES

-NE PAS SE PLACER EN FACE DE LA BUSE. NE JAMAIS METTRE LA MAIN OU LES DOIGTS DEVANT LA BUSE.

-NE DIRIGER LE JET NI SUR DES PERSONNES NI SUR DES ANIMAUX DOMESTIQUES.

-POUR ÉVITER TOUTE DÉCHARGE ACCIDENTELLE, S'ASSURER QUE LA TÊTE DE LANCE À BUSE EST BIEN VISSÉE AU CORPS DE LANCE.



AVERTISSEMENT: RISQUE DE DOMMAGES MATÉRIELS

NE PAS MAINTENIR LONGTEMPS LE JET SUR UNE MÊME SURFACE, CAR IL POURRAIT L'ENDOMMAGER.

DIRECTIVES D'UTILISATION

10. Comme l'appareil de lavage sous pression débite à haute pression et avec diverses formes du jet, il permet d'exécuter de nombreux nettoyages sans employer de détergent. Si un agent nettoyant est nécessaire, voir «Nettoyage à l'aide de détergent».

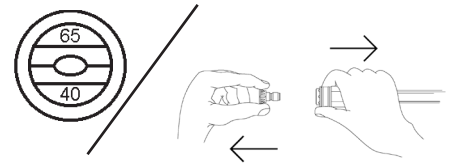
NETTOYAGE À L'AIDE DE DÉTERSIF:

1. Prendre connaissance des «Mesures de précaution -- Nettoyage à l'aide de détergent». Revêtir la tenue vestimentaire de protection indiquée.
2. Préparer la solution de détergent conformément aux instructions figurant sur l'étiquette. Ne JAMAIS faire pomper de liquides ou de solvants acides, basiques, ou abrasifs par l'appareil.
3. Votre injecteur est muni d'un bouton de réglage sur la tête de pompe, ajuster la quantité de détergent désirée en tournant complètement le bouton dans le sens contraire des aiguilles d'une montre pour régler au taux de siphon maximum.
4. Plonger le filtre dans la solution de détergent pour que le détergent puisse être siphonné.
5. Le pistolet étant verrouillé en position "OFF", avec le raccord rapide, attachez soigneusement la buse de pulvérisation du détergent (buse n° 6540, NOIRE) au bout de la lance.

NOTE: Ce système d'injection est conçu pour l'application de détergents sous pression basse uniquement. Les solutions de détergents ne pourront être introduites dans le système que si la cache de la buse du pistolet de déclenchement en mode détergent basse pression.

6. Pour appliquer la solution, déverrouiller et actionner la détente du pistolet. Après quelques instants, un mélange d'eau et de détergent sort de la buse. Commencer par pulvériser à la partie inférieure de la surface à nettoyer, et remonter en longues passes chevauchantes. En procédant ainsi, on évite les coulées. Laisser imbiber un moment. (Éviter de traiter les surfaces peintes si elles sont chaudes ou directement exposée au soleil, afin de réduire au minimum le dessèchement du détergent et la dégradation de la peinture.) Rincer une petite partie de la surface à la fois.
7. To rinse; lock the trigger gun in the "OFF" position, securely quick-connect the desired high pressure nozzle into the end of the wand. Déverrouiller la détente du pistolet, et pulvériser. Il faut environ 30 secondes pour évacuer tout le détergent du circuit. Pour obtenir les meilleurs résultats, commencer à la partie supérieure de la surface, et progresser vers le bas.
8. Après chaque utilisation, siphonner 3,8 l (1 gal) d'eau par le circuit d'injection basse pression. On évite ainsi la corrosion et les dépôts de détergent, causes de pannes mécaniques.

AJUTAGE DETERGENT



ARRÊT DE L'APPAREIL:

1. Mettre l'interrupteur à ARRÊT.
2. Couper l'alimentation en eau.
3. Orienter le pistolet dans une direction sécuritaire, et appuyer brièvement sur la détente pour libérer la pression.
4. Une fois la pression libérée déconnectez l'embout.
5. Débrancher l'appareil de la prise électrique.
6. Vider le pistolet, la lance et les flexibles. Cela fait, débrancher les flexibles.
7. Nettoyer et sécher l'appareil et le ranger en lieu sûr avec le pistolet, la lance et les flexibles.

ENTREPOSAGE ET ENTRETIEN

ENTRETIEN DE SPECIFIQUE

LA POMPE: Changer l'huile de la pompe après les 25 premières heures de fonctionnement. Par la suite, il est conseillé de la changer tous les 3 mois ou toutes les 250 heures. Si l'huile est sale ou laiteuse, la changer plus fréquemment. Utiliser l'huile de pompe requise pour pompes et ne remplir que jusqu'à mi-hauteur du voyant. NE PAS remplir à plein capacité.

BUSE: Le jet de l'eau à travers la buse érode l'orifice et ainsi, l'élargit affectant la pression qui diminue. La buse devrait être remplacée dès que la pression est inférieure à 85% de la pression maximum. La fréquence de remplacement dépendra de facteurs tels que le contenu de minéraux dans l'eau et le nombre d'heures d'utilisation de la buse.

RACCORD RAPIDES: Le raccord rapide femelle comporte un joint torique interne. Ce dernier va se détériorer ou, si on laisse la pompe fonctionner sans son boyau ou sa buse haute pression, le joint torique risque d'être expulsé de temps à autre. Il vous suffit alors de remplacer le joint torique pour éliminer la fuite. (Des joints toriques supplémentaires sont disponibles auprès de votre concessionnaire.)

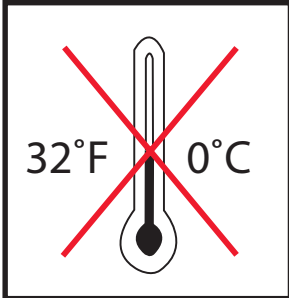
HIVERNISATION

Pour entreposer et transporter l'appareil à température ambiante inférieure au point de congélation, on doit l'hiverner. Pour les raisons suivantes, l'appareil doit être protégé jusqu'à la température la plus basse qu'il risque de subir :

1. Si l'une des pièces du circuit de pompage gèle, la pression peut devenir excessive et faire exploser l'appareil en blessant gravement son utilisateur ou les personnes qui se trouvent à proximité.
2. Le circuit de pompage de l'appareil peut être irrémédiablement endommagé par le gel. **LES DOMMAGES CAUSÉS PAR LE GEL NE SONT PAS COUVERTS PAR LA GARANTIE.**

Si on doit entreposer l'appareil à un endroit où il y a risque de gel, le protéger en procédant comme suit :

1. Disposer des articles suivants :
 - a. Deux récipients de 19 l (5 gal).
 - b. 3,8 l (1 gal) d'antigel. (De fabricant recommande l'emploi d'un antigel de type écologique.)
 - c. Alimentation en eau.
 - d. Flexible de 0,91 m (3 pi), de 12,7 à 19,05 mm (1/2-3/4 po) de D.I., à raccord mâle de 19,05 mm (3/4 po) pour tuyau d'arrosage.
2. Méthode d'hivernisation :
 - a. Mettre l'appareil en marche et l'amorcer. (Voir «Mise en marche »)
 - b. Après l'avoir fait fonctionner et l'avoir amorcé, arrêter l'appareil et couper l'alimentation en eau.
 - c. Évacuer la pression du circuit en orientant le pistolet dans une direction sécuritaire et en appuyant sur la détente jusqu'à ce que l'eau cesse de sortir de la buse.
 - d. Verrouiller la détente et déposer la buse.
 - e. Déposer le flexible d'alimentation en eau de l'appareil et fixer solidement le flexible de 0,91 m (3 pi) au raccord d'admission.
 - f. Couper l'admission de détersif, au besoin.
 - g. Remplir d'eau un seau de 19 l (5 gal).
 - h. Tenir verticalement le flexible de 0,91 m (3 pi) et le remplir d'eau. Puis obturer l'orifice du flexible avec le pouce ou l'index. Plonger l'extrémité obturée dans l'eau du seau de 19 l (5 gal).



ENTREPOSAGE ET ENTRETIEN

- i. Mettre l'appareil en marche. Actionner la détente à plusieurs reprises, jusqu'à ce que tout l'air soit évacué du circuit (et que l'appareil soit amorcé).

REMARQUE: Pour bien hiverner, se conformer aux directives du fabricant (voir la «Table de protection» qui figure sur l'étiquette arrière de la plupart des contenants d'antigel).

- j. En maintenant le pistolet ouvert, siphonner l'eau du seau de 19 l (5 gal) et n'en laisser que la quantité nécessaire au mélange avec l'antigel.
 - k. Diriger la lance dans le récipient vide et mettre l'appareil en marche.
 - l. Actionner la détente jusqu'à ce que l'antigel commence à s'échapper de la lance. Lâcher la détente pendant 3 secondes, puis l'actionner pendant 3 secondes. Répéter le cycle jusqu'à ce que tout le mélange antigel ait été siphonné du récipient.
 - m. Débrancher le flexible de 0,91 m (3 pi) de l'appareil, et vider l'antigel en excès dans le récipient de 19 l (5 gal).
 - n. Débrancher l'ensemble flexible/pistolet/lance de l'appareil, et vider l'antigel en excès dans le récipient de 19 l (5 gal).
 - o. Ranger en lieu sûr le flexible, le pistolet et la lance avec l'appareil.
 - p. Conserver la solution d'antigel pour l'utiliser plus tard, ou s'en débarrasser conformément à la réglementation de l'E.P.A. en vigueur.
3. Autre méthode d'hivernisation :
- a. Arrêter l'appareil.
 - b. Libérer la pression en orientant le pistolet dans une direction sécuritaire et en appuyant sur la détente jusqu'à ce que l'eau cesse de sortir de la buse.
 - c. Débrancher et vider le flexible, le pistolet et la lance.
 - d. Mettre l'appareil en marche et le laisser fonctionner jusqu'à ce que l'eau cesse de s'en écouler. Puis, arrêter l'appareil.

REMARQUE: Si on choisit cette méthode, être prudent car les gouttes d'eau transformées en glaçons peuvent faire exploser l'appareil si on le met en marche avant qu'il soit complètement dégelé.

MISE EN MARCHÉ DE L'APPAREIL APRÈS ENTREPOSAGE PROLONGÉ:

1. S'ASSURER que l'appareil est DÉBRANCHÉ de la prise de courant.
2. Avant de remettre l'appareil en marche, faire fondre la glace qui pourrait se trouver dans la lance, le pistolet, le flexible et l'appareil.
3. Après avoir appliqué toutes les directives de «PRÉPARATION», mettre l'appareil en marche, le laisser fonctionner pendant quelques instants pour en lubrifier toutes les pièces, et l'arrêter.

OPTIONS DE MONTAGE MURAL

OPTIONS DE MONTAGE MURAL CX-0104 AND CX-0105 CONSULTEZ L'USINE POUR PLUS DE DÉTAILS.

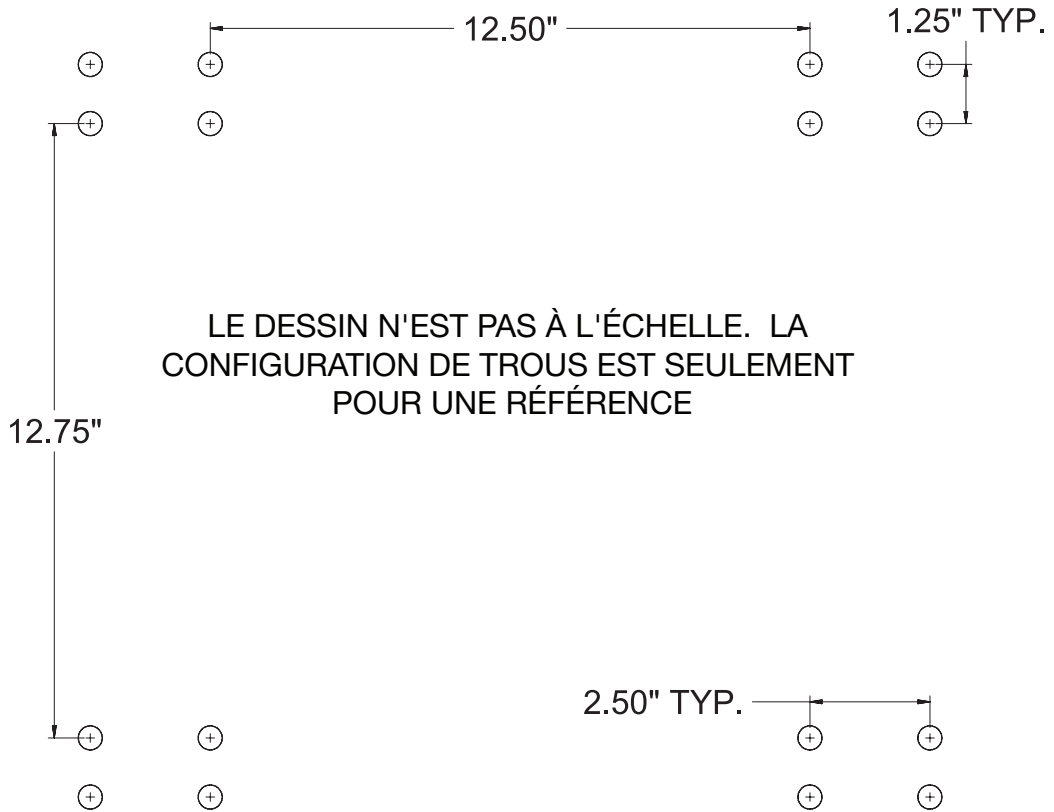


Figure 1: CX-0104 Motif de trou pour CA-1502-0E1G-W

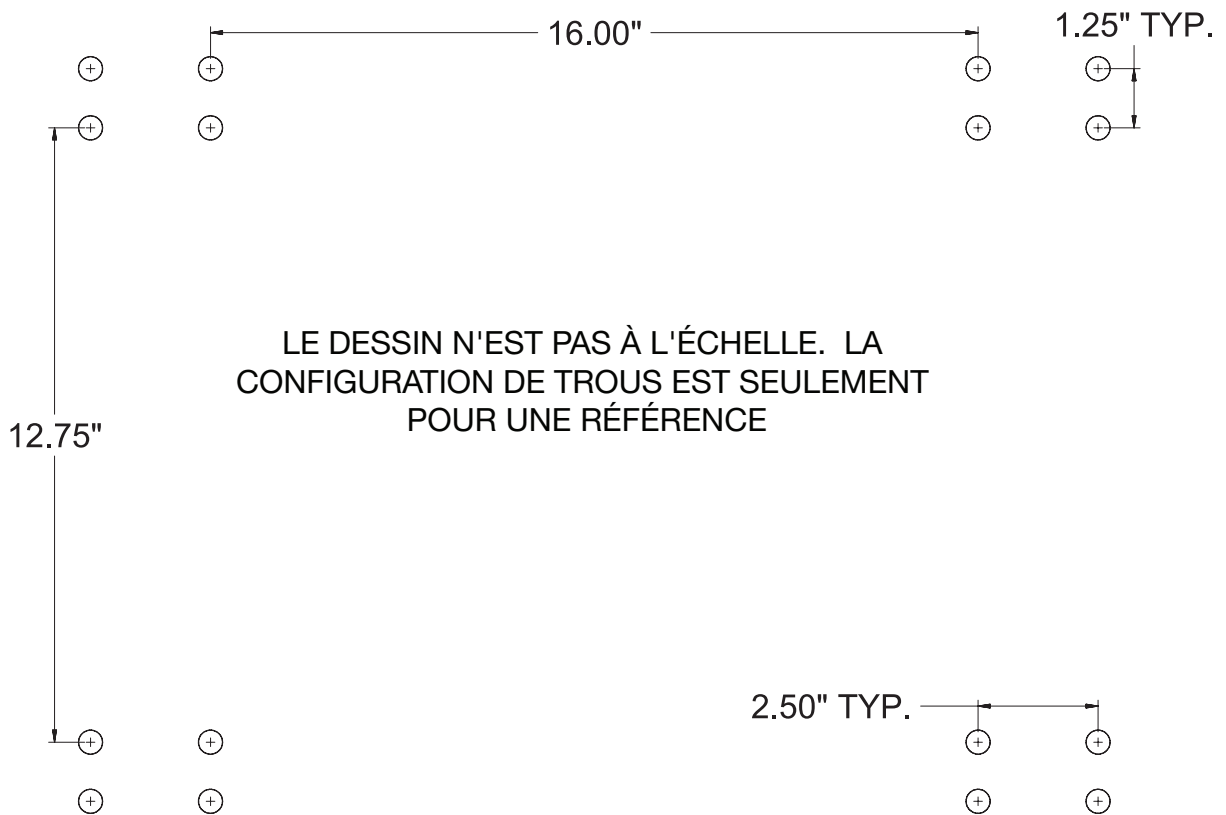


Figure 2: CX-0105 Motif de trou pour CA-2503/3004-0E2G-W

DÉPANNAGE

SYMPTÔME	CAUSE PROBABLE	REMÈDE
Le moteur de la pompe ne démarre pas ou s'arrête en cours de fonctionnement.	Déclenchement ou non-réarmement du disjoncteur de fuite à la terre.	Arrêter l'appareil. Appuyer sur le bouton de réarmement du disjoncteur de fuite à la terre après branchement à la prise de courant.
	Jeu ou débranchement de la fiche.	Rebrancher la fiche.
	Déclenchement du disjoncteur ou grillage du fusible dans la boîte de fusibles.	Disconnect all other plugs on the circuit being used and reset circuit breaker OR check and replace fuse.
	Déclenchement du disjoncteur dans l'appareil.	Laisser l'appareil refroidir, et le remettre en marche.
	Surcharge du moteur.	Attendre que le moteur refroidisse avant d'appuyer sur le bouton de redémarrage de surcharge thermique et recommencer de travailler.
	L'appareil est gelé.	Le laisser dégeler. Si l'une des pièces de l'appareil est gelée, la pression peut devenir excessive et faire exploser l'appareil en blessant gravement son utilisateur ou les personnes que se trouvent à proximité.
Le disjoncteur se déclenche ou le fusible grille dans la boîte de fusibles.	Surcharge du circuit.	Assurez-vous que l'alimentation électrique est identique à celle du fusible conformément aux spécifications de la plaque signalétique du nettoyeur haute pression. Débrancher toutes les fiches du circuit. Si le raccordement se fait à un circuit protégé par fusibles, utiliser un fusible temporisé.
	Le cordon prolongateur est trop long ou le fil est de calibre insuffisant.	Utilisez seulement les rallonges ayant une intensité électrique au moins égale à l'intensité électrique du produit plaque de données de la machine.
	Trop de pression.	Réduire la pression en ajustant le bouton sur le régulateur de pression.
Le disjoncteur de fuite à la terre se déclenche.	Tension inadéquate.	Assurez-vous que l'alimentation électrique est conforme aux caractéristiques stipulées de la plaque de données de la machine.
	Court-circuit interne.	S'adresser au centre d'entretien.
La pression est insuffisante ou fluctuante.	Colmatage du filtre de l'admission d'eau.	Déposer le filtre, le nettoyer ou le remplacer.
	Aspiration d'air dans la pompe (Désamorçage)	Resserrer tous les raccords de l'admission d'eau. Éliminer les fuites de la conduite d'admission.
	Mode haute pression non enclenché.	Insérer haute pression buse.
	Colmatage ou usure de l'orifice de la buse.	Déposer et nettoyer, ou remplacer.
	Valve by-pass défectueuse.	Déposer et nettoyer, ou remplacer.
	Garnitures de pompe complètement usées.	Remplacer garnitures.
	Mauvais fonctionnement de la soupape de dérivation.	Réparer ou remplacer.

DÉPANNAGE

SYMPTÔME	CAUSE PROBABLE	REMÈDE
L'eau fuit de la valve de décharge de la chaleur.	La température d'admission de l'eau est trop haute.	La température de l'eau entrante doit être moins que 140°F.
	La température de l'eau dans l'unité est trop haute.	Ne laissez pas l'unité fonctionner en mode de déviation (le pistolet de déclenchement étant fermé) pendant plus de trois minutes.
	Valve défectueuse.	Remplacez.
L'huile est laiteuse ou mousseuse.	Présence d'eau dans l'huile.	Changer l'huile de la pompe. Remplir jusqu' au niveau voulu.
Fuite d'huile de l'unité.	Joints et joints toriques usés.	Contactez le service à la clientèle.
Le détersif n'est pas siphonné en mode basse pression/ détersif. .	Immersion incomplète du filtre du détersif dans la solution de détersif.	Check; submerge if necessary.
	Crépine de détergent est obstrué.	Inspecter, nettoyer ou remplacer.
	Obstruction ou sectionnement du flexible du détersif.	Inspecter, nettoyer ou remplacer.
	Le noeud de réglage du détergent ext tourné en mode fermé.	Ouvrez le noeud de réglage.
	Mode basse pression non enclenché.	Insérer 6540° (Noir) buse.
	Colmatage de la buse.	Nettoyer ou remplacer.
	Raccordement d'un nombre excessif de rallonges de flexible haute pression à la sortie d'eau.	N'utiliser qu'une seule rallonge.
L'eau reflue dans le récipient de détersif.	Grippage du clapet à bille du tube venturi.	Déposer, nettoyer ou remplacer.
	Inversion, absence ou corrosion du clapet à bille du tube venturi.	Déposer, nettoyer ou remplacer.
De l'eau s'écoule de la buse lorsque la détente est verrouillée.	Fonctionnement défectueux du pistolet.	Réparer ou remplacer.
Le moteur tourne mais il ne se produit aucune décharge par la buse lorsqu'on appuie sur la détente.	Alimentation en eau inadéquate.	L'alimentation en eau est ouverte.
	Pliure du flexible d'admission d'eau.	Supprimer la pliure.
	Pliure du flexible de décharge à haute pression.	Remplacer le flexible.

DECLARATION DE GARANTIE

De fabricant garantit toutes les piéces des appareils de lavage sous pression (sauf celles spécifiées ce-dessous) contre tout vice de matiere et de fabrication pendant les périodes suivantes:

Pour la vie contre le gel et la fissuration:

Manifold de pompe

Pour une vie de la congélation et de fendre:

Collecteur de la pompe

Pendant sept (7) années de la date de l'achat original :

Pompe À haute pression

Pendant Deux ans á compter de la date d'achat initial:

Entraînement Tuyauterie

Pendant Un an á compter de la date d'achat initial:

Disjoncteur de fuite á la terre du cordon d'alimentation

Interrupteur marche/arrêt

Pendant Quatre-vingt-dix jours á compter de la date d'achat initial:

Pistolet/Báti Flexible haute pression

Clapet de décharge Passoire/ Filtre

Pendant la durée de la garantie, de fabricant s'engage á réparer ou á remplacer (á son gré) les piéces défectueuses non sujettes á l'usure normale. En tout cas le montant du remboursement ne peut excéder le prix d'achat.

EXCLUSIONS

1. Le Moteur est couvert par la garantie de son constructeur, dans les conditions que y sont énoncées.
2. Piéces sujettes á l'usure normale:
 Jointes d'étanchéité de pompe Clapets de pompe
 Buses de pulvérisation Clapets de détérsif
3. La présente garantie ne couvre pas les piéces endommagées du fait de l'usure normale, d'une pause incorrecte, d'un mauvais emploi, d'un fonctionnement á des vitesses, pressions ou température autres que celles préconisées. Les piéces endommagées ou usées pour cause d'emploi de liquedes caustiques, de fonctionnement en milieu abrasif ou corrosif ou dans des condions causant la cavitaion de la pompe son exclues de la garantie. Le non respect des directives d'utilisation et d'entrentiein est également cause d'annulation de la garantie.
4. L'utilisation de piéces autres que les piéces de rechange d'origien est cause d'annulation de la garantie. Les piéces renvoyées en port payé á l'usene ou á un centre d'entretien agréé de fabricant sont enspectées et remplacées gratuitement si elles sont jugées défectueuses et couvertes par la garantie. Il n'existe aucune autre garantie de durée supérieure á celle spécifiée. De fabricant décline toute responsabilité en matiere de perte de jouissance de l'apparcil, de perte de temps ou de fraise delocation, de manque á gagner, de perte de profits ou de dommages indirects.

Pour le service ou la garantie, contactez le service clientèle.
563-556-7484 / 800-553-9053 / Fax 563-556-1235
Lundi - Vendredi 8:00 a.m. - 5:00 p.m. CST

NOTES

TABLA DE MATERIAS

TABLA DE MATERIAS.....	45
INTRODUCCION.....	46
¡IMPORTANTE!.....	46
ADVERTENCIAS DE SEGURIDAD.....	47
PRECAUCIONES ELECTRICAS:	47
PRECAUCIONES PARA ROCIADO.....	48
PRECAUCIONES MISCELANEAS DE SEGURIDAD.....	48
PRECAUCIONES MISCELANEAS DE SEGURIDAD, CONTINUA	49
PRECAUCIONES PARA LIMPIEZA CON DETERGENTES	50
! GUARDE ESTES INSTRUCCIONES !.....	50
ELEMENTOS Y COMPONENTES	51
ELEMENTOS Y COMPONENTES	52
CALCOMANIAS DE SEGURIDAD Y UBICACION	53
INSTALACION Y PREPARACION.....	54
PROTECCIÓN PERSONAL:.....	54
PREPARACIÓN:.....	54
INSTRUCCIONES DE INSTALACIÓN DEL MONTAJE DE PARED: VER PÁGINA 62.	54
BOQUILLA DE CONEXION RAPIDA:	55
SUMINISTRO DE AGUA:	56
CONEXION DE LA BOQUILLA:.....	56
DESCARGADOR:.....	57
VALVULA DE DESCARGA TERMICA:.....	57
PROCEDIMIENTOS DE INSPECCION DE PREARRANQUE:	57
INSTRUCCIONES DE OPERACION.....	58
CEBADO DE LA BOMBA:	58
ARRANQUE:	58
LIMPIEZA CON DETERGENTES	59
APAGADO:.....	59
ALMACENAMIENTO Y MANTENIMIENTO	60
MANTENIMIENTO ESPECIFICO:.....	60
PREPARACION PARA EL INVIERNO:.....	60
ARRANQUE DE LA UNIDAD DESPUES DE UN ALMACENAMIENTO PROLONGADO:.....	61
INSTALACIÓN DEL MONTAJE DE PARED.....	62
PARA SERVICIO O CONSIDERACION DE LA GARANTIA CONSULTE CON:	65

⚠ ADVERTENCIA

⚠ ADVERTENCIA: Este producto puede exponerlo a productos químicos, incluido el plomo, que el Estado de California conoce a causar cáncer y defectos congénitos u otros daños reproductivos. Para obtener más información, visite www.P65Warnings.ca.gov

INTRODUCCION

¡Felicitaciones por la compra de su nueva lavadora a presión! Puede estar seguro que su lavadora a presión fue construida con el nivel más alto de precisión y exactitud. Cada componente ha sido probado rigurosamente por técnicos para asegurar la calidad, la resistencia y el rendimiento de esta unidad.

Este manual del operador fue compilado para su beneficio. Leyendo y siguiendo los pasos simples de seguridad, instalación, operación, mantenimiento y localización de fallas descritos en este manual ayudará a prolongar aun más la operación libre de fallas que usted puede esperar de su nueva lavadora a presión. El contenido de este manual está basado en la información actualizada disponible al momento de la publicación. El fabricante se reserva el derecho de efectuar cambios en precio, color, materiales, equipo, especificaciones o modelos en cualquier momento sin previo aviso.

¡IMPORTANTE!

Estos párrafos están rodeados por una “CASILLA DE ALERTA DE SEGURIDAD”. Esta casilla se usa para designar y enfatizar las Advertencias de Seguridad que deben seguirse al operar esta lavadora a presión. Acompañando a las Advertencias de Seguridad están las “palabras de alerta” que designan el grado o nivel de seriedad de riesgo. Las “palabras de alerta” usadas en este manual son las siguientes:

PELIGRO: Indica una situación inminente riesgosa la cual, si no se evita, RESULTARA en la muerte o en lesiones graves.

ADVERTENCIA: Indica una situación potencialmente riesgosa la cual, si no se evita, PODRIA resultar en la muerte o en lesiones graves.

PRECAUCION: Indica una situación potencialmente riesgosa la cual, si no se evita PUEDE resultar en lesiones menores o moderadas.

El símbolo indicado a la izquierda de este párrafo es el “Símbolo de Alerta de Seguridad”. Este símbolo se usa para alertarlo acerca de artículos o procedimientos que podrían ser peligrosos para usted u otras personas usando este equipo.



PROVEA SIEMPRE UNA COPIA DE ESTE MANUAL A CUALQUIER PERSONA QUE USE ESTE EQUIPO. LEA TODAS LAS INSTRUCCIONES ANTES DE OPERAR ESTA LAVADORA A PRESION, OBSERVANDO EN PARTICULAR LAS “ADVERTENCIAS DE SEGURIDAD” PARA EVITAR LA POSIBILIDAD DE LESIONES PERSONALES AL OPERADOR.

Escriba el número de serie de su unidad en el espacio provisto abajo, una vez que la unidad haya sido desempacada.

NUMERO DE SERIE _____

Inspeccione por daño el contenido de la caja. Si algo parece dañado, NO LA DEVUELVA AL LUGAR DE COMPRA. Llame a su representante de servicio al cliente de al 800-553-9053.

Por favor tenga disponible la información siguiente para todas las llamadas de servicio:

1. Número de modelo
2. Número de serie
3. Fecha y lugar de compra



ADVERTENCIAS DE SEGURIDAD



PRECAUCIONES ELECTRICAS:

RIESGO DE DESCARGA ELÉCTRICA O ELECTROCUCIÓN

ADVERTENCIA: PUEDEN PRODUCIRSE LESIONES CORPORALES GRAVES O LA MUERTE SI NO SE CONECTA ADECUADAMENTE A TIERRA LA LAVADORA DE CHORRO A PRESIÓN. LA UNIDAD TRABAJA MEDIANTE ENERGÍA ELÉCTRICA Y PUEDE CAUSAR UNA DESCARGA ELÉCTRICA O ELECTROCUCIÓN SI NO SE USA DEBIDAMENTE.

1. Este producto debe estar conectado a tierra. Asegúrese de que la lavadora de chorro a presión esté equipada con un GFCI (interruptor accionado por falla de conexión a tierra). Si no lo tiene, la lavadora debe conectarse en un receptáculo protegido por un GFCI. Desconecte la unidad cuando no esté usándose.
2. Si la unidad está equipada con GFCI, NO deje caer éste, ya que podría dañarse. Si se deja caer por accidente el GFCI, asegúrese de probarlo para asegurarse de que trabaja correctamente. (Para el procedimiento de prueba, siga las instrucciones indicadas en el GFCI.)
3. Siempre asegúrese de que la unidad reciba el voltaje adecuado. Desconéctela cuando no esté usándose.
4. No modifique la clavija eléctrica. Si no entra en la toma de corriente, permita que un electricista calificado instale una toma adecuada. No use ningún tipo de adaptador.

ADVERTENCIA: EL CORDÓN ELÉCTRICO PUEDE CAUSAR UNA DESCARGA ELÉCTRICA.

5. Revise el cordón eléctrico y vea si muestra señales de aplastamiento, cortaduras o daños de origen térmico. Si es necesario cambiar la clavija o el cordón, use exclusivamente piezas de repuesto idénticas.
6. No use cordones de extensión con esta lavadora de chorro a presión.
7. Mantenga secas y lejos del piso todas las conexiones. No permita que los cordones eléctricos estén en agua o en tal posición que el agua entre en contacto con ellos. No toque la clavija con las manos húmedas.
8. No tire del cordón eléctrico para desconectarlo de la toma de corriente.

ADVERTENCIA: SI NO SE OPERA DEBIDAMENTE LA LAVADORA DE CHORRO A PRESIÓN PUEDE OCURRIR UNA DESCARGA ELÉCTRICA.

9. NO dirija el chorro sobre ni dentro de instalaciones eléctricas de ninguna clase, como tomas de corriente, focos (bombillos), cajas de fusibles, transformadores, la unidad misma, etc.
10. NO permita que ningún componente metálico de la lavadora de chorro a presión entre en contacto con elementos electrificados.
11. Nunca utilice la lavadora a presión con las guardas o tapas desmontadas o dañadas.

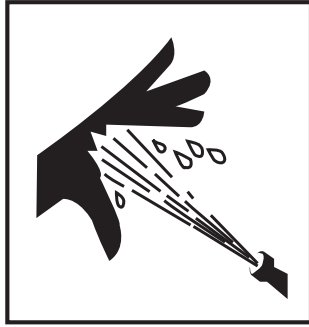
ADVERTENCIA: PUEDEN PRODUCIRSE LESIONES CORPORALES GRAVES O LA MUERTE SI PERSONAS NO CALIFICADAS INTENTAN EFECTUAR REPARACIONES DE TIPO ELÉCTRICO.

12. Toda conexión o reparación efectuada en la lavadora de chorro a presión debe ser realizada por el personal de servicio autorizado, de conformidad con los códigos eléctricos locales y nacionales.
13. Antes de abrir cualquier compartimiento eléctrico, siempre apague la lavadora de chorro a presión, purgue la presión y desconecte de la línea de suministro de voltaje la lavadora. Permita a la lavadora enfriarse. Nunca suponga que es seguro trabajar en la lavadora simplemente porque no está funcionando. ¡Puede arrancar en cualquier momento! Dele servicio en un área limpia, seca y plana.





ADVERTENCIAS DE SEGURIDAD



PRECAUCIONES PARA ROCIADO

RIESGO DE INYECCIÓN O CORTADURA GRAVE

⚠ PELIGRO MANTÉNGASE ALEJADO DE LA BOQUILLA. NUNCA APUNTE EL CHORRO A ALTA PRESIÓN A SÍ MISMO NI A NADIE MÁS. DEBEN OBSERVARSE SIEMPRE LAS PRECAUCIONES BÁSICAS, INCLUYENDO LAS SIGUIENTES:

1. Manténgase alejado de la boquilla y del chorro a presión. Nunca coloque la mano, dedos o cuerpo directamente en la boquilla de rociado.
2. Nunca apunte el chorro a alta presión a sí mismo ni a nadie más.
3. Este producto sólo debe emplearse por operarios capacitados.
4. Siempre mantenga el área de trabajo despejada de personas.
5. NO permita a los niños manejar esta unidad.
6. **BUSQUE ASISTENCIA MÉDICA** si el chorro parece haber penetrado la piel! ¡NO LO TRATE COMO UNA SIMPLE CORTADA!
7. Las mangueras de alta presión y conductos de combustible deben inspeccionarse diariamente para ver si muestran señales de desgaste. Si muestran señales evidentes de falla, cámbielos de inmediato para evitar toda posibilidad de lesiones causadas por el chorro a alta presión. Si tiene fugas una manguera o adaptador, **NUNCA COLOQUE LA MANO DIRECTAMENTE EN LA FUGA.**
8. **NUNCA** opere la pistola con el gatillo en la posición abierta. Para evitar toda descarga accidental, el gatillo debe bloquearse cuando no esté usándose la pistola.
9. No tire de la manguera para mover la unidad.
10. Antes de desmontar la boquilla de rociado o de dar servicio a la unidad, **SIEMPRE** apague ésta y tire del gatillo para liberar toda presión atrapada. (Incluso después de apagar la unidad, hay alta presión acumulada en la bomba, manguera y pistola hasta que la libere tirando del gatillo.)
11. **NO** deje desatendida la unidad si tiene presión. Apague la lavadora y libere toda presión acumulada antes de retirarse.



PRECAUCIONES MISCELÁNEAS DE SEGURIDAD

RIESGO DE EXPLOSIÓN O INCENDIO

⚠ ADVERTENCIA: PUEDEN PRODUCIRSE LESIONES CORPORALES GRAVES O LA MUERTE DEBIDO AL CHISPEO NORMAL PRESENTE EN LAS DIFERENTES FUENTES DE MOTOR Y SISTEMA DE ELECTRICA.

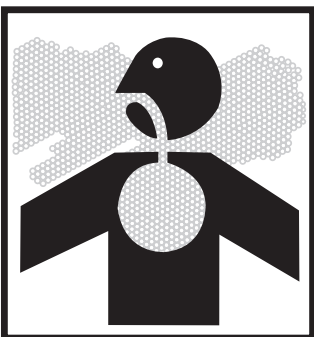
1. Siempre use la lavadora en un área bien ventilada libre de emanaciones inflamables, polvo combustible, gases y cualquier material combustible.
2. ¡No use esta lavadora para rociar material inflamable!



RIESGO DE ASFIXIA

⚠ ADVERTENCIA: PUEDEN PRODUCIRSE LESIONES CORPORALES GRAVES O LA MUERTE SI SE INHALAN LAS EMANACIONES PROVENIENTES DEL OTRAS EMANACIONES PELIGROSAS.

1. Siga todas las instrucciones de seguridad suministradas con los materiales a los que esté rociando. Puede ser necesario tener puesta una mascarilla de respiración para trabajar con ciertos materiales. No use esta lavadora de chorro a presión para aplicar detergentes peligrosos.





ADVERTENCIAS DE SEGURIDAD



PRECAUCIONES MISCELANEAS DE SEGURIDAD, CONTINUA

RIESGO DE REVENTÓN:

ADVERTENCIA: PUEDEN PRODUCIRSE LESIONES GRAVES SI FUNCIONA MAL LA LAVADORA O SI EXPLOTAN ACCESORIOS, EN CASO DE USARSE COMPONENTES, ADITAMENTOS O ACCESORIOS INADECUADOS.

1. Nunca haga ajustes a las presiones fijadas en la fábrica.
2. Nunca se exceda de la presión nominal máxima permitida por el fabricante de los aditamentos.
3. Use solamente piezas de repuesto recomendadas por el fabricante para la lavadora.

ADVERTENCIA: PUDEN PRODUCIRSE LESIONES GRAVES O LA MUERTE SI SE INTENTA ARRANCAR LA LAVADORA CUANDO ESTÁ CONGELADO EL SISTEMA DE BOMBEO DE LA UNIDAD.

4. A temperaturas de congelación, la unidad siempre debe estar a la suficiente temperatura para evitar la formación de hielo en la bomba. No arranque la lavadora si ha sido transportada en un vehículo abierto o a baja temperatura sin permitir calentarse primero al sistema de bombeo de la unidad.

RIESGO DE MOVIM. DE PZAS:

ADVERTENCIA: PUEDEN CAUSARSE LESIONES GRAVES AL OPERARIO CON LAS PIEZAS MÓVILES DE LA LAVADORA.

1. Nunca haga ajustes a la unidad mientras esté conectada a la línea de suministro de voltaje.
2. No opere la unidad sin las tapas protectoras puestas en su lugar.
3. Para dar servicio a la unidad, colóquela en un área limpia, seca y plana. Antes de darle servicio a la unidad, apáguela, alivie la presión de la pistola y permita enfriarse a la unidad.
4. Siga las instrucciones de mantenimiento especificadas en el manual.

RIESGO DE LESIONES:

ADVERTENCIA: PUEDEN PRODUCIRSE LESIONES POR LA BASURA IMPULSADA A ALTA VELOCIDAD POR LA PISTOLA DE ROCIADO.

1. SIEMPRE póngase gafas protectoras al operar la unidad para protegerse los ojos de la basura que sale despedida y detergentes.
2. NO dirija el chorro hacia materiales frágiles como el vidrio ya que pueden romperse.

ADVERTENCIA: PUEDEN PRODUCIRSE LESIONES SI EL OPERARIO PIERDE EL EQUILIBRIO O DEBIDO AL EMPUJE DEL AGUA AL CIRCULAR POR LA BOQUILLA DE ROCIADO.

1. Permanezca alerta de lo que está haciendo. No maneje la unidad si está fatigado o bajo los efectos del alcohol o drogas.
2. NUNCA accione el gatillo si no lo tiene bien abrazado con el dedo. NO extienda el cuerpo demasiado ni se pare en una base inestable. Las superficies húmedas pueden estar resbalosas; póngase equipo antirresbalante en los pies, párese en forma sólida y mantenga un buen equilibrio.

ADVERTENCIA: PUEDEN PRODUCIRSE LESIONES POR LA LAVADORA DE CHORRO A PRESIÓN.

1. SIEMPRE sostenga firmemente el conjunto de la pistola y la caña al arrancar y operar la unidad. De lo contrario la caña puede caer y dar chicotazos peligrosamente.
2. Sepa bien cómo detener la lavadora de chorro a presión y cómo purgar las presiones con rapidez. Familiarícese bien con los controles.





ADVERTENCIAS DE SEGURIDAD



PRECAUCIONES PARA LIMPIEZA CON DETERGENTES

RIESGO DE LESIONES:

 **ADVERTENCIA: PUEDEN PRODUCIRSE LESIONES O LA MUERTE SI LOS DETERGENTES LLEGAN A TOCAR LA PIEL.**

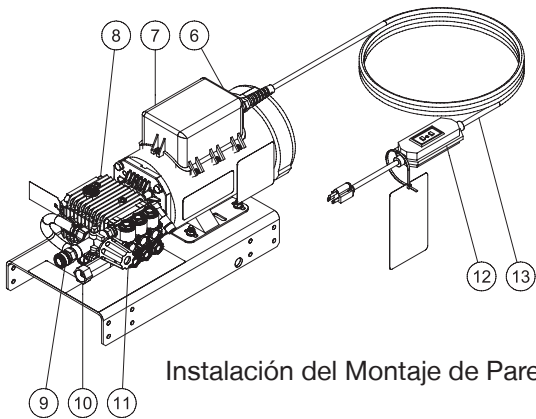
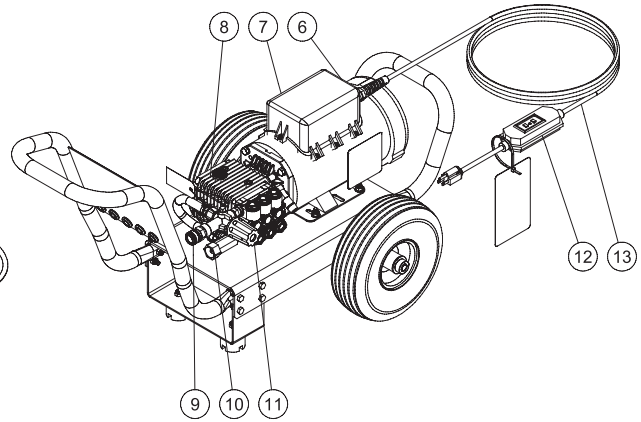
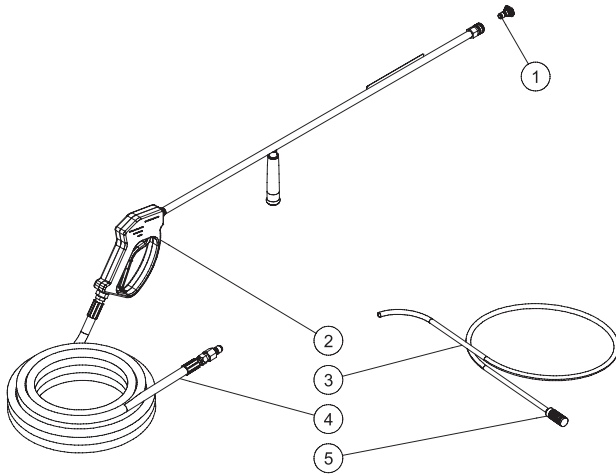
1. Nunca use ningún solvente, detergentes corrosivos ni limpiadores de tipo ácido con esta lavadora de chorro a presión.
2. Esté preparado para indicarle al doctor la clase de detergentes que estaba aplicando; para ello, lea la hoja de datos de seguridad del material (MSDS) correspondiente al detergente.
3. Se recomienda ponerse equipo protector como traje de hule, guantes y mascarilla de respiración, especialmente al aplicar detergentes.
4. ¡Mantenga todo detergente fuera del alcance de los niños!



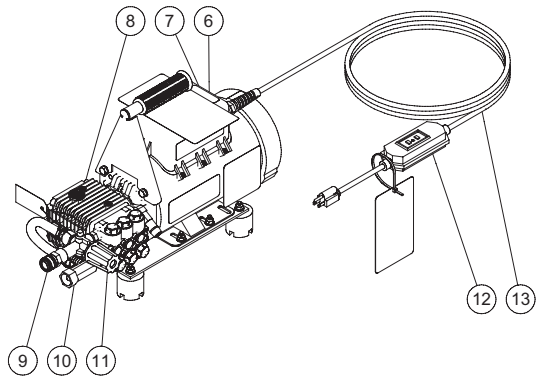
! GUARDE ESTAS INSTRUCCIONES !



ELEMENTOS Y COMPONENTES



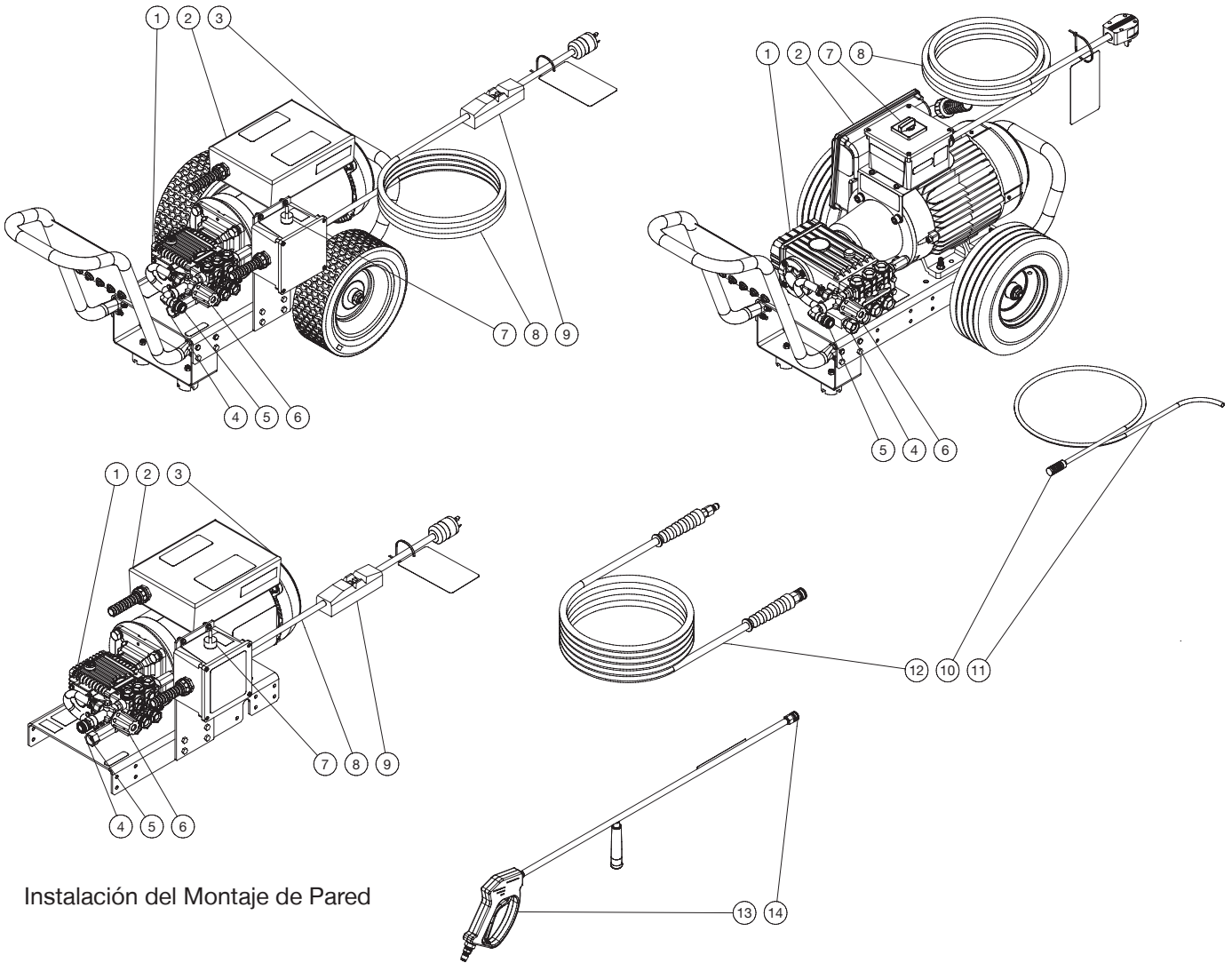
Instalación del Montaje de Pared



CA-SM GENERIC ELECTRIC-FEATURES 120717 ADR

- | | |
|---|---------------------------------------|
| 1. Acoples Rápidos Boquilla | 8. Bomba |
| 2. Conjunto de la pistola | 9. Salida de agua |
| 3. Manguera de detergente | 10. Entrada de agua |
| 4. Manguera de descarga de alta presión | 11. Perilla ajustable del descargador |
| 5. Tamiz de detergente | 12. GFCI |
| 6. Interruptor On/Off | 13. Cordón eléctrico |
| 7. Motor | |

ELEMENTOS Y COMPONENTES



Instalación del Montaje de Pared

- | | |
|--------------------------------------|--|
| 1. Bomba | 8. Cordón eléctrico |
| 2. Motor | 9. GFCI |
| 3. Sobrecarga del motor | 10. Tamiz de detergente |
| 4. Entrada de agua | 11. Manguera de detergente |
| 5. Salida de agua | 12. Manguera de descarga de alta presión |
| 6. Perilla ajustable del descargador | 13. Conjunto del la pistola |
| 7. Interruptor On/Off | 14. Acoples Rápidos Boquilla |

CALCOMANIAS DE SEGURIDAD Y UBICACION

NO RETIRE LAS CALCOMANIAS DE SEGURIDAD DE LA UNIDAD A MENOS QUE LAS REEMPLACE POR LAS CALCOMANIAS DE SEGURIDAD MAS RECIENTES!

Calcomanía: Precaucion: Riesgo de inyección
(Part # 34-1473 or 34-4068)

Etiqueta-Advertencia: Riesgo de electrocución
(Part #34-1035)

⚠ CAUTION / PRECAUCION	
RISK OF INJURY 1. Read operator's manual carefully before using. 2. Spray gun can kick back. Hold with both hands. 3. Risk of eye injury. Always wear eye protection. 4. See the operator's manual for proper chemical usage.	RIESGO DE LESIONES 1. Lea cuidadosamente el manual del operador antes de usar. 2. El revolver rociadora puede retroceder violentamente. Sujétela con ambas manos. 3. Riesgo de lesiones a los ojos. Use siempre protección para los ojos. 4. Para un uso químico apropiado consulte el Manual del Operador.
IMPORTANT / IMPORTANTE	
<ul style="list-style-type: none"> • For indoor and outdoor use. • Store indoors. • Avoid pump damage. Protect from freezing. Do not run for more than 3 minutes with spray gun not triggered. • If connected to a circuit protected by fuses, use time-delay fuses only. <p style="text-align: right; font-size: small;">34-1473/081712</p>	<ul style="list-style-type: none"> • Para uso interior y exterior. • Almacene bajo techo. • Evite daños a la bomba. Protéjala contra la congelación. No haga funcionar por más de 3 minutos sin accionar el gatillo de la pistola. • Si se conecta a un circuito protegido por fusibles, use fusibles con retardo solamente.

⚠ ADVERTISSEMENT

RISQUE D'ÉLECTROCUTION NE PAS ENLEVER CETTE ÉTIQUETTE

- Brancher seulement à une prise correctement mise à la terre. Ne pas enlever la broche de mise à la terre.
- Vérifier le cordon avant l'utilisation. Ne pas utiliser le cordon s'il est endommagé.
- Conserver toutes les connexions au sec et au-dessus du sol.
- Ne pas toucher la prise avec des mains humides.
- Cet appareil peut être équipé d'un disjoncteur de fuite à la terre incorporé dans la fiche du cordon électrique. S'il s'avère nécessaire de remplacer la fiche ou le cordon, n'utiliser que des pièces de rechange identiques. Si cet appareil ne comporte pas un disjoncteur de fuite à la terre, ne le relier qu'à une prise de courant protégée par un disjoncteur de fuite à la terre.
- L'utilisation d'une rallonge n'est pas recommandée.
- Lire le manuel de l'opérateur avant d'utiliser l'appareil.

DES CHOCES ÉLECTRIQUES SÉVÈRES SERONT POSSIBLES SI LES DIRECTIVES CI-DESSUS NE SONT PAS SUIVIES.

Calcomanía-advertencia: Riesgo de inyección/d'explosion
(Part # 34-0631)

⚠ WARNING	⚠ ADVERTENCIA
RISK OF EXPLOSION: Do not spray flammable liquids. RISK OF ELECTROCUTION: Do not spray electrical apparatus and wiring. RISK OF INJECTION OR SEVERE CUTTING INJURY: Keep clear of nozzle. Do not direct discharge stream at persons.	RIESGO DE EXPLOSIÓN: No rocíe líquidos inflamables. RIESGO DE ELECTROCUCIÓN: No rocíe el aparato y el cableado eléctricos. RIESGO DE INYECCIÓN O LESIÓN DE CORTE: Manténgase alejado de la boquilla. No dirija la corriente de descarga hacia las personas.
34-1017/080612	

⚠ ADVERTENCIA

RIESGO DE ELECTROCUCION. NO quite ESTA ETIQUETA.

- Conecte solamente a una toma corriente que está bien fundado. No quite la pata de conexión de la tierra.
- Antes de usar inspeccione la cuerda. No use si la cuerda está dañando.
- Mantenga los conexiones secos y apartados de la tierra.
- No torque el enchufe con manos mojados.
- Este producto debe conectarse a tierra. Asegúrese de que la lavadora a presión esté equipada con un Interruptor de circuito de falla a tierra (Ground Fault Circuit Interrupter, GFCI) incorporado en el cordón de alimentación. Si no lo tiene, debe conectarse la lavadora a presión únicamente en un receptáculo que esté protegido por un Interruptor de circuito de falla a tierra. Desconéctela cuando no esté en uso.
- No use una cuerda extensión con la unidad.
- Antes de usar lea y entienda todas las instrucciones y el manual de operación.

SI NO SIGA LAS INSTRUCCIONES HAY EL RIESGO DE ELECTROCUCIÓN SEVERA.

Referencia: Advertencia: Riesgo de electrocución
(Part # 34-1471 or 34-3398)

⚠ WARNING ⚠ ADVERTENCIA
<p style="text-align: center; font-size: small;">RISK OF ELECTROCUTION. DO NOT REMOVE THIS TAG.</p> 1. Connect only to a properly grounded outlet. Do not remove ground pin. 2. Inspect cord before using. Do not use if cord is damaged. 3. Keep all connections dry and off the ground. 4. Do not touch plug with wet hands. 5. This unit may be provided with a Ground Fault Circuit Interrupter (GFCI) built into the power cord plug. If replacement of the plug or cord is needed, use only identical replacement parts. If this unit is not provided with a GFCI, this unit should only be connected to a power supply receptacle protected by a ground fault circuit interrupter. 6. Do not use an extension cord with this machine. 7. Read the operator's manual before using.
<p style="text-align: center; font-size: small;">FAILURE TO FOLLOW THE ABOVE INSTRUCTIONS COULD RESULT IN A SEVERE ELECTRICAL SHOCK.</p>
<p style="text-align: center; font-size: small;">RIESGO DE ELECTROCUCION. NO RETIRE ESTA CALCOMANIA.</p> 1. Conecte solamente a una toma corriente que está bien fundado. No quite la pata de conexión de la tierra. 2. Antes de usar inspeccione la cuerda. No use si la cuerda está dañando. 3. Mantenga los conexiones secos y apartados de la tierra. 4. No torque el enchufe con manos mojados. 5. Este producto debe conectarse a tierra. Asegúrese de que la lavadora a presión esté equipada con un interruptor de circuito de falla a tierra (Ground Fault Circuit Interrupter, GFCI) incorporado en el cordón de alimentación. Si no lo tiene, debe conectarse la lavadora a presión únicamente en un receptáculo que esté protegido por un Interruptor de circuito de falla a tierra. Desconéctela cuando no esté en uso. 6. No use una cuerda extensión con la unidad. 7. Antes de usar lea y entienda todas las instrucciones y el manual de operación.
<p style="text-align: center; font-size: small;">EL NO SEGUIR LAS INSTRUCCIONES DE ARRIBA PUEDE RESULTAR EN UN CHOQUE ELECTRICO GRAVE.</p>
34-1471/081712

Calcomanía-advertencia: Auga potable
(Part # 34-1477)

⚠ WARNING/ADVERTENCIA

If connection is made to a potable water system, the system shall be protected against backflow.	Si la conexión se hace a un sistema de agua potable, el sistema será protegido contra la expulsión.
34-1477/080612	

Calcomanía-advertencia: Riesgo de inyección (Part # 34-1253)

⚠ WARNING	⚠ ADVERTENCIA
RISK OF INJECTION OR SEVERE INJURY Never put your hand, fingers or body directly over the spray nozzle.	RIESGO DE INYECCIÓN O LESIÓN SEVERA Nunca coloque la mano, los dedos o el cuerpo directamente sobre la boquilla de rocío.
34-1253/07272012	



INSTALACION Y PREPARACION

PROTECCIÓN PERSONAL:

Ponerse la protección personal adecuada es vital para la propia seguridad. Se recomienda utilizar lo que sea necesario para protegerse los ojos, oídos y piel. Es posible que se necesite aditamentos adicionales de seguridad (como la mascarilla de respiración) al aplicar agentes limpiadores detergentes con esta lavadora.



PELIGRO: RIESGO DE EXPLOSION!

NO COLOQUE LA UNIDAD EN UN AREA DONDE PUEDAN ESTAR PRESENTESE VAPORES INFLAMMABLES. UNIA CHISPA PODRIA CAUSAR UNA EXPLOSION.



RIESGO QUE LA UNIDAD REVIENTE!

NO ALMACENE/OPERE LA UNIDAD EN U AMBIENTE HELADO.

PREPARACIÓN:

1. Esta unidad sólo debe colocarse en una superficie a nivel para asegurar una lubricación adecuada de la bomba de agua durante el funcionamiento. NUNCA rocíe agua directamente en la unidad.
2. No use la unidad en áreas:
 - a. donde existan señales de fugas de aceite o combustible.
 - b. donde pueda haber presencia de vapores de gases inflamables.
3. No exponga la unidad a la lluvia, nieve o temperaturas de congelación. Si se congela alguna parte de la unidad, puede acumularse presión excesiva, la cual puede causar que reviente la unidad y se produzcan lesiones graves al operador y a los circunstantes.
4. Debe revisarse el nivel de aceite de la bomba. Asegúrese de que el aceite llegue a la marca de "lleno" de la vara de nivel o del centro de la mirilla de nivel del aceite. Si parece bajo el nivel, llene el tanque con aceite para bomba. NO LLENE DEMASIADO!



PELIGRO: ¡RIESGO DE ELECTROCUCIÓN!

ESTA UNIDAD DEBE CONECTARSE A UNA TOMA DE CORRIENTE CON LA DEBIDA CONEXIÓN A TIERRA. NO USE NINGÚN ADAPTADOR NI ELIMINE EL CONTACTO DE TIERRA.

INSTRUCCIONES DE INSTALACIÓN DEL MONTAJE DE PARED: VER PÁGINA 62.

CONEXIÓN DEL CABLE DE ALIMENTACIÓN ELÉCTRICA:

1. El interruptor debe estar en la posición de apagado (OFF).
2. La fuente de voltaje debe ser idéntica a las especificaciones indicadas en la placa de datos de la lavadora.
3. **INSTRUCCIONES DE CONEXIÓN A TIERRA:** Este producto debe estar conectado a tierra. Si algo funciona mal o se descompone, la conexión a tierra suministra un trayecto eléctrico de baja resistencia para la corriente y así se reduce el riesgo de una descarga eléctrica. Este producto dispone de cordón eléctrico con conductor a tierra para equipo. La clavija debe enchufarse en una toma de corriente adecuada que esté instalada y conectada a tierra según todos los códigos y reglamentos locales.
4. **PELIGRO:** Una conexión inadecuada del conductor a tierra para equipo puede originar un riesgo de electrocución. Consulte con un electricista o técnico de servicio calificados si no está seguro que la toma está conectada a tierra adecuadamente. No modifique la clavija; si no encaja bien en la toma de corriente, permita que un electricista calificado instale una toma correcta. No use ningún tipo de adaptador con este producto.
5. **PROTECCIÓN DE INTERRUPTOR ACCIONADO POR FALLA DE CONEXIÓN A TIERRA:**
 - a. **1502/2503:** Si esta lavadora de chorro a presión cuenta con GFCI (interruptor accionado por falla de conexión a tierra) integrado en la clavija o en el cordón de alimentación eléctrica, pruebe el GFCI cada vez que la conecte a una toma, siguiendo las instrucciones del mismo. ¡NO use la lavadora si el circuito no pasa la prueba! El GFCI proporciona protección adicional contra el riesgo de descargas eléctricas. Si es necesario cambiar la clavija o el cordón, sólo use piezas de repuesto idénticas y que incluyan la protección de un GFCI.
 - b. **3004:** Si esta lavadora de chorro a presión no cuenta con GFCI, sólo debe conectarse en un receptáculo protegido por GFCI (interruptor accionado



ADVERTENCIA: ¡RIESGO DE ELECTROCUCIÓN!

PARA REDUCIR EL RIESGO DE ELECTROCUCIÓN, MANTENGA TODAS LAS CONEXIONES SECAS Y LEJOS DEL PISO. NO TOQUE LA CLAVIJA CON LAS MANOS HÚMEDAS.

INSTALACION Y PREPARACION

por falla de conexión a tierra) para cumplir con el Código Eléctrico Nacional (NFPA 70) y para proporcionar protección adicional contra el riesgo de descargas eléctricas.

6. **CORDONES DE EXTENSIÓN: ¡EL FABRICANTE NO RECOMIENDA EL USO DE CORDONES DE EXTENSIÓN!** Si es inevitable el uso de un cordón de extensión, debe conectarse a un GFCI de la caja de fusibles o receptáculo con tal tipo de protección. Si va a usar un cordón de extensión, consulte a un electricista calificado para determinar la calibre de conductor adecuado necesario para la longitud del cordón de extensión.

MONOFÁSICA: Sólo use cordones de extensión de tres hilos y que tenga clavija de conexión a tierra de tres puntas y conector para cordón de tres polos que acepte la clavija del producto.

TRIFÁSICA: Sólo use cordones de extensión de cuatro hilos y conector para cordón de cuatro polos que acepte la clavija del producto.

Sólo use cordones de extensión para uso exterior. Tienen el rótulo "Aceptables para uso con aparatos de uso al aire libre; almacénese en el interior cuando no esté en uso." Sólo use cordones de extensión con especificaciones eléctricas superiores a las del producto. No use cordones de extensión dañados. Examine el cordón de extensión antes de usarlo y cámbielo si está dañado. No trate en forma abusiva el cordón de extensión ni tire del mismo para desconectarlo. Mantenga el cordón alejado del calor y de bordes afilados. Siempre conecte o desconecte el cordón de extensión del receptáculo antes de conectar o desconectar el producto del cordón de extensión.

7. Debe mantenerse seca el área existente entre la lavadora de chorro a presión y la toma de corriente.
8. Inserte la clavija en una toma de corriente alterna (CA). ¡¡NO use adaptadores NI retire la clavija de conexión a tierra!!

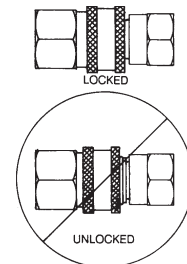
BOQUILLA DE CONEXION RAPIDA:

Pueden conectarse rápidamente varias boquillas al extremo de la vara para cambiar el patrón de rociado o para usar la característica de detergente. Asegúrese que la conexión está seguramente calzada, al usar los conectores rápidos (C.R.). En caso contrario el agua a alta presión puede despedir la boquilla de la vara, causando lesiones graves o daños importantes. Refiérase al número estampado en la boquilla, para determinar el patrón de abanico del rociado. Los primeros dos dígitos indican el patrón de abanico del rociado en grados, por ej.: 00=0°, 15=15°, 25=25°, 40=40°, 65=detergente/baja presión.

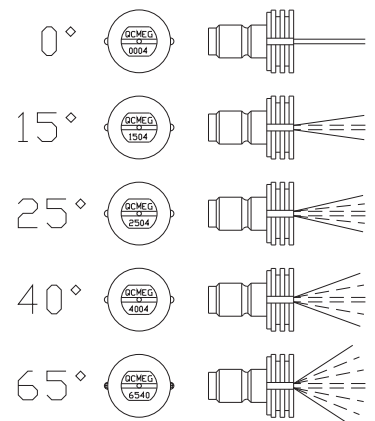
1. Boquilla de 0° (ROJA): Esta es una boquilla de disparo que emite una corriente muy concentrada de agua. Debería ejercerse cuidado para evitar rayar la madera o dañar superficie frágiles. Usos: eliminación de malas hierbas de las grietas de las aceras, manchas resistentes del concreto, mampostería, aluminio y acero, lodo endurecido en equipos, y para limpiar el fondo de las cortadoras de césped.
2. Boquilla de 15° (AMARILLA): Esta es una boquilla biselada. El rociado debería dirigirse a un ángulo de 45° sobre la superficie y usarse como un raspador para sacar pintura, grasa y suciedad. Usos: preparación de superficies (eliminación de manchas de moho y escamas de pintura).
3. Boquilla de 25° (VERDE): Esta es una boquilla de limpieza por descarga de agua. Este patrón es más apropiado para limpiar suciedad, lodo, y hollín. Usos: Barrido en mojado de senderos, cordones de las aceras y entradas de garages, limpieza de suelos de los establos, lavado de los fondos de las piscinas de natación, desengrasado de motores.
3. La boquilla de 40° (BLANCO): Esta boquilla es una boquilla de limpiando. Este diseño extenso de atomizadora dispartir la presión de agua alrededor un área grande y se recomendado para limpiando moderado. USAS: Limpiando de apartadero de aluminio, limpiando ventanillas, limpiando autos, atomizandando aceras, entradas de casas, y patios.



CONEXION DE LAS BOQUILLAS DE CONEXION RAPIDA



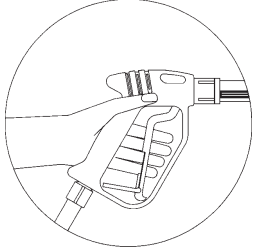
BOQUILLAS DE CONEXION RAPIDA (C.R.)



INSTALACION Y PREPARACION

ADVERTENCIA: ¡RIESGO DE LESIONES GRAVES!

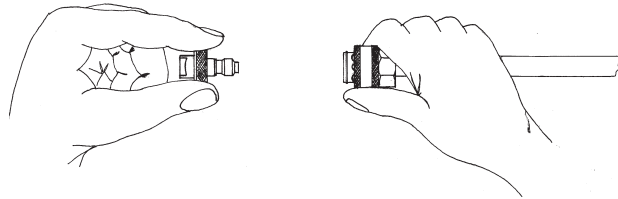
¡CUANDO NO SE USA, LA PISTOLA A GATILLO DEBERIA ESTAR SIEMPRE ASEGURADO EN LA POSICION DESCONECTADO!



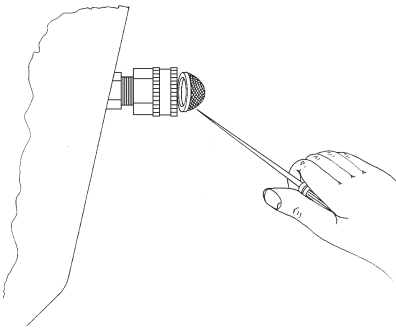
4. Boquilla de 65° (NEGRA): Esta es una boquilla de aplicación de detergente, de baja presión. Este patrón de rociado amplio distribuye la solución sobre áreas amplias a baja presión. Usos: Aplicación de detergente, como rociado o enjuague.

CONEXION DE LA BOQUILLA:

1. Asegúrese que la pistola a gatillo esté asegurada en la posición "OFF" (DESCONECTADO). Vea la ADVERTENCIA, a la derecha.
2. Retraiga el anillo de cierre sobre el adaptador de conexión rápida para sacar la boquilla.



CHECK WATER INLET STRAINER



SUMINISTRO DE AGUA:

1. Seleccione una manguera de suministro de agua que sea de calidad de manguera de jardín que mida 3/4" de DI por lo menos y que no sea más larga que 50 pies.
2. Inspeccione el tamiz de entrada de agua para asegurar que esté limpio y libre de obstrucciones. La limpieza periódica del tamiz de agua ayudará a prevenir problemas con la bomba. El tamiz restringe el flujo apropiado de agua a la bomba, a medida que se obstruye. Esto puede resultar en cavitaciones que causarán la falla prematura de los empaques de las bombas.

- a. Retire el tamiz de la unidad, usando un destornillador.
- b. Si fuera necesario, limpie o reemplace.

3. Connect la mangureras:

- a. Conecte un extremo de la manguera de suministro de agua a la entrada de agua de la unidad.
- b. Conecte el otro extremo de la manguera a su suministro presurizado de agua.

NOTA 1: No use un suministro de agua no presurizado (por ej. agua de pozo o estanque) con esta unidad.

- c. Efectúe la conexión de la manguera de descarga de alta presión a la salida de agua de la unidad.

4. Siga los requerimientos de agua entrante listados abajo:

- a. La presión de agua debe estar a un mínimo de 40 libras por pulgada cuadrada (PSI) y un máximo de 125 PSI. (Un grifo típico al aire libre suministrará generalmente estas PSI si está completamente ABIERTO).
- b. Los GPM (galones por minuto) entrantes deben ser ser 1 galón más aproximadamente que los GPM salientes deben indicados en la placa de nombre de la lavadora a presión. (Usted puede inspeccionar los GPM observando el tiempo requerido para llenar un recipiente de 5 galones.)
- c. La temperatura del agua de entrada no debe exceder 140°F (78°C). Puede resultar un daño excesivo a la bomba si la temperatura del agua excede este nivel aceptable.

5. Nunca permita que la unidad opere sin que esté conectada la tubería de agua de entrada y el suministro de agua completamente abierto.

INSTALACION Y PREPARACION

DESCARGADOR:

Usted puede ajustar la presión, si el descargador de su máquina está equipado con una perilla de ajuste. Si se requiere menos presión, simplemente gire la perilla de ajuste en sentido contrario a las agujas del reloj. Para retornar al máximo, gire completamente la perilla de ajuste en el sentido de las agujas del reloj. ¡NO AJUSTE EN EXCESO!

VALVULA DE DESCARGA TERMICA:

Nunca permita que la lavadora a presión opere en el modo de derivación durante más de tres minutos (con la unidad funcionando y la pistola a gatillo cerrado), para asegurar que la temperatura del agua no exceda niveles aceptables.

Se ha agregado una válvula de descarga térmica a esta unidad para proteger la bomba. Puede comenzar a abrirse y permitir la salida de agua si la temperatura del agua en la bomba ha excedido los 140°F. Esto permitirá que agua fresca y fría entre al sistema.



PRECAUCION

¡RIESGO DE DAÑO A LA UNIDAD!

NO AJUSTE EN EXCESO EL DESCARGADOR. LA ROTURA RESULTARA EN UNA PERDIDA INMEDIATA DE PRESION DE AGUA Y REPARACIONES COSTOSAS.

PROCEDIMIENTOS DE INSPECCION DE PREARRANQUE:

Efectúe los procedimientos siguientes antes de arrancar la unidad:

1. Inspeccione los cordones electricos para cortes. Si encuentre unos cortes, NO TOQUÉ NI USE CORDÓN! Antes de arrancar reponza el cordon.
2. Inspeccione el nivel de aceite en la bomba y en el motor.
3. Inspeccione el tamiz de entrada de agua. Limpie o reemplace si fuera necesario. Vea "Suministro de agua".
4. Inspeccione todas las conexiones de las mangueras para asegurar que estén bien ajustadas. Vea "Suministro de agua".
5. Inspeccione por pérdidas de combustible del sistema. Asegúrese que se reemplacen todas las piezas dañadas y que se corrijan todos los problemas mecánicos antes de operar la unidad. Consulte con el Servicio, si usted requiere servicio.
6. Inspeccione las mangueras de alta presión por dobleces, cortes y pérdidas. Asegúrese que se reemplacen todas las piezas dañadas y que se corrijan los problemas mecánicos antes de operar la unidad. Consulte con el Servicio, si usted requiere servicio.



FINAL DE LAS INSTRUCCIONES DE PREPARACION



ADVERTENCIA

LAS PAGINAS SIGUIENTES CONTIENEN INSTRUCCIONES DE OPERACION Y MANTENIMIENTO

NO TRATE DE OPERAR ESTA LAVADORA A PRESION HASTA QUE HAYA LEIDO Y ENTENDIDO TODAS LAS PRECAUCIONES E INSTRUCCIONES DE SEGURIDAD LISTADAS EN ESTE MANUAL.

¡¡LA OPERACION INCORRECTA DE ESTA UNIDAD PUEDE CAUSAR LESIONES GRAVES!!

¡¡DE NINGUNA MANERA ALTERE O MODIFIQUE ESTE EQUIPO!!

INSTRUCCIONES DE OPERACION

CEBADO DE LA BOMBA:

1. Es esencial cebar la bomba en el arranque inicial y cada vez que se desconecta el suministro de agua de la unidad después del uso inicial.
2. Despliegue la manguera de alta presión para eliminar los dobleces. El flujo de agua endurecerá la manguera, creando bucles rígidos si la manguera no está recta.

NOTA: El conector de la boquilla NO debería conectarse al conjunto de la pistola en este momento. Vea "Conexión de la boquilla".

3. Abra completamente el suministro de agua, con la pistola a gatillo asegurado en la posición "OFF". Suelte el seguro de la pistola a gatillo y accione este último, apuntando la pistola en una dirección segura.
4. Comenzará a fluir agua a baja presión del conjunto de manguera/pistola. Esto permite que la unidad se cebe y purgue todo el aire del sistema. Esta unidad está cebada cuando el flujo de agua no esté interrumpido por el aire.
5. Suelte el gatillo y asegure la pistola en la posición "OFF", una vez que la unidad esté cebada. Conecte seguramente el conjunto de la boquilla. (Vea "Conexión de la boquilla".)



ADVERTENCIA: ¡RIESGO DE INYECCION CAUSANTE DE LESIONES GRAVES!

¡MANTENGASE ALEJADO DE LA BOQUILLA! ¡NUNCA COLOQUE LA MANO NI LOS DEDOS ENFRETE DE LA BOQUILLA!

¡NO DIRIJA LA CORRIENTE DE DESCARGA HACIA LAS PERSONAS O LOS ANIMALES DOMESTICOS!

¡PARA PREVENIR UNA DESCARGA ACCIDENTAL ASEGURESE QUE EL CONJUNTO DE LA BOQUILLA AJUSTABLE ESTE SEGURAMENTE CONECTADO A LA VARA!

ARRANQUE:

1. Refiérase a las "Precauciones de seguridad", antes de arrancar la unidad.
2. Ubique las calcomanías de seguridad en su unidad y obedezca sus advertencias.
3. Apunte la pistola a gatillo alejado de usted o de cualquier otra persona, con el mismo asegurado en la posición "OFF". Asegúrese que el suministro de agua esté completamente abierto.
4. Desenganche el seguro de la pistola y accione el gatillo. Comenzará a fluir agua a baja presión de la boquilla.
5. Afírmese ya que la pistola retrocederá violentamente a causa de la alta presión causada por la bomba una vez que haya arrancado el motor.
6. Mueva el interruptor On/Off a la posición "ON".
7. Efectúe los procedimientos siguientes una vez que haya arrancado el motor con la pistola en la posición abierta:
 - a. Inspeccione por pérdidas de aceite y de agua del sistema. ¡APAGUE INMEDIATAMENTE LA UNIDAD, si encuentra una pérdida! Antes de operar la unidad, asegúrese que se hayan reemplazado todas las piezas dañadas y que se hayan corregido todos los problemas mecánicos. Consulte con el Servicio, si usted requiere servicio.
 - b. Inspeccione las mangueras de alta presión por dobleces, cortes y pérdidas. ¡¡¡NO TOQUE LA MANGUERA EN LA PERDIDA, si encuentra un corte o una pérdida!!! ¡APAGUE INMEDIATAMENTE LA UNIDAD! Antes de arrancar nuevamente la unidad, reemplace la manguera. Antes de operar la unidad, asegúrese que se hayan reemplazado todas las piezas dañadas y que se hayan corregido todos los problemas mecánicos. Consulte con el Servicio, si usted requiere servicio.
 - c. Inspeccione el cordón eléctrico por cortes. ¡NO TOQUE NI USE EL CORDON ELECTORCO, si se halla un corte! Remplace el cordón antes de arrancar la unidad. Consulte con el Servicio al Cliente si usted requiere servicio.
8. ASEGURE la pistola a gatillo en la posición "OFF" siempre que cambie las boquillas de conexión rápida. ¡NUNCA mire directamente en la boquilla! ¡El agua a alta presión crea un riesgo de lesiones graves!
9. No permita que la unidad funcione en un modo de derivación (con el gatillo cerrado) por más de tres minutos sin accionar el gatillo de la pistola. El no seguir esta simple regla puede causar la falla prematura de los sellos del empaque de la bomba, resultando en una reparación costosa a la misma.



PRECAUCION: RIESGO DE DAÑO

NO DIRIJA CONTINUAMENTE EL PATRON DE ROCIADO EN UNA SECCION DE LA SUPERFICIE DURANTE UN PERIODO PROLONGADO DE TIEMPO. PUEDEN OCURRIR POSIBLES DAÑOS.

INSTRUCCIONES DE OPERACION

10. Puede haber muchas tareas de limpieza que pueden efectuarse sin el uso de detergentes, a causa que la lavadora a presión suministra un rociado a alta presión y una variedad de patrones de rociado. Vea “Limpieza con detergentes”, para los procedimientos correctos, si se requiere un agente de limpieza.

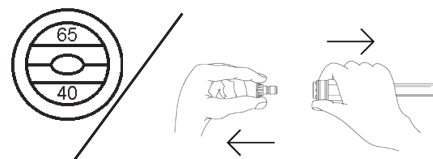
LIMPIEZA CON DETERGENTES

1. Refiérase a las “Precauciones de limpieza con detergentes”.. Asegúrese de usar vestimenta protectora de seguridad según lo mencionado.
2. Prepare la solución de detergente de acuerdo con las instrucciones del rótulo. Nunca bombee ácidos, alcalinos, fluidos abrasivos o solventes a través de la unidad.
3. De unidad están equipadas con un botón ajustable sobre la bomba de presión, puded ajustar la cantidad de detergente deseado, girando el botón completamente en contra de reloj, para ajustar a razón de sifón máxima.
4. Sumerja el tamiz dentro de la solución del detergente para permitir que este último circule por sifón.
5. Usando el conector rápido, conecte bien la boquilla de rociado de detergente (#6540° NEGRA) al extremo de la vara, con la pistola a gatillo asegurado en la posición “OFF”.

NOTA: Este sistema de inyección está diseñado para aplicar detergentes a baja presión solamente. No permitirá que se introduzcan soluciones de detergente en el sistema a menos que la boquilla del detergente esté instalada en la vara.

6. Desenganche la pistola a gatillo y accione el gatillo, para aplicar la solución. Una mezcla de detergente/agua saldrá de la boquilla de baja presión en unos pocos momentos. Comience rociando la porción inferior de la superficie que está siendo limpiada y muévase hacia arriba usando pasadas largas superpuestas. El aplicar desde abajo hacia arriba ayuda a evitar el estriado. Permita que se empape brevemente. (Para minimizar la posibilidad de que se seque el detergente, lo que puede resultar en daños a las superficies pintadas, evite trabajar sobre superficies calientes o bajo la luz directa del sol.) Asegúrese de enjuagar una sección pequeña por vez.
7. Para enjuagar: asegure la pistola a gatillo en la posición “OFF”, y usando el conector rápido, conecte seguramente la boquilla de alta presión al extremo de la vara. Desenganche la pistola a gatillo y rocíe. Llevará 30 segundos aproximadamente purgar todo el detergente de la tubería. Comience en la parte superior y trabaje hacia abajo, para obtener los mejores resultados del enjuague.
8. Después de cada uso, extraiga por sifón un galón de agua del sistema de inyección de detergente a baja presión. Esto evita la posibilidad de corrosión o de que el residuo de detergente cause problemas mecánicos durante el próximo uso.

QUICK CONNECT DETERGENT



APAGADO:

1. Para apagar la unidad, mueva el interruptor On/Off a la posición “OFF”.
2. CIERRE el suministro de agua.
3. Accione momentáneamente el gatillo de la pistola para descargar toda la presión interna, apuntando la pistola en una dirección segura.
4. Desconecte el conijllunto de la boquilla, una vez que se haya eliminado la presión.
5. Desconecte la unidad de la fuente de potencia.
6. Drene la pistola, la vara y las mangueras. Desconecte las mangueras, una vez drenado.
7. Limpie la unidad con un paño y almacene con la pistola, la vara y las mangueras en un área segura.

ALMACENAMIENTO Y MANTENIMIENTO

MANTENIMIENTO ESPECIFICO:

BOMBA: El aceite de la bomba debe ser cambiado después de las primeras 25 horas de operación en todas las unidades. Se recomienda intervalos de 250 horas, después de la carga inicial. Pueden requerirse cambios con mayor frecuencia, si el aceite parece sucio o lechoso. Use aceite para bombas de especificado y llene sólo hasta la marca en el vidrio. NO llene en exceso.

BOQUILLAS: El agua que fluye a través de la boquilla de rociado de conexión rápida desgastará y agrandará el orificio, resultando en una pérdida de presión. Deberían reemplazarse las boquillas siempre que la presión sea menor que el 85% del máximo. La frecuencia de reemplazo dependerá de tales variables tales como el contenido mineral en el agua y el número de horas que se usa la boquilla.

ACOPLES RAPIDOS: Hay un sello del anillo en o dentro de acople rápido hembra en la salida de agua de su unidad. Este anillo en o se deteriorará, o se saldrá de lugar si se permite que la unidad bombee sin la manguera de alta presión. Simplemente inserte un anillo de repuesto para corregir la pérdida. (Pueden comprarse anillos en o adicionales de su distribuidor).

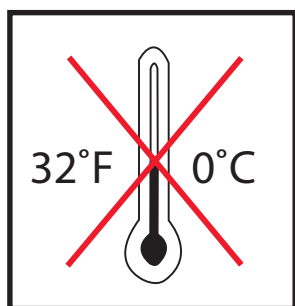
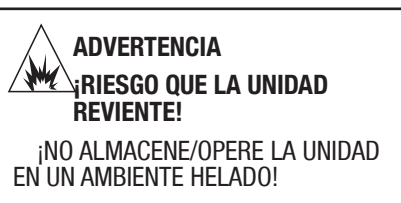
PREPARACION PARA EL INVIERNO:

Será necesario preparar esta unidad para el invierno, para fines de Almacenamiento y transporte en temperaturas ambiente inferiores al punto de congelación. Esta unidad debe protegerse contra la temperatura más baja incurrida por las siguientes razones:

1. Si se congela cualquier parte del sistema de bombeo puede acumularse una presión excesiva en la unidad, lo que podría causar que la misma reviente resultando en lesiones posibles graves al operador o a los observadores.
2. El sistema de bombeo de esta unidad puede resultar dañado permanentemente si se congela. **LOS DAÑOS POR CONGELACION NO ESTAN CUBIERTOS POR LA GARANTIA.**

Usted puede proteger su unidad siguiendo el procedimiento indicado abajo, si debe almacenarla en un lugar donde la temperatura puede descender por debajo de los 32°F.

1. Reúne los artículos siguientes:
 - a. Dos recipientes de 5 galones.
 - b. Un galón de anticongelante. (El fabricante recomienda un anticongelante seguro para el medio ambiente.)
 - c. Suministro de agua.
 - d. Una manguera de tres pies de largo con un D.I. de 1/2-3/4 y con un adaptador macho de manguera de jardín de 3/4 de pulgada.
2. Procedimiento:
 - a. Para comenzar a preparar su unidad para el invierno, la misma debe hacerse funcionar y cebarse de acuerdo con los "Procedimientos de Arranque" indicados.
 - b. Apague la unidad y corte el suministro de agua, después de hacerla funcionar y cebarla.
 - c. Elimine la presión del sistema apuntando la pistola a gatillo hacia una dirección segura y accionando el gatillo hasta que el flujo de agua cese de salir por la boquilla.
 - d. Asegure la pistola a gatillo en la posición OFF y retire la boquilla.
 - e. Retire la manguera de suministro de agua de la unidad y fije seguramente la manguera de 3 pies a la conexión de entrada.
 - f. Si fuera aplicable apague el inyector de detergente.



ALMACENAMIENTO Y MANTENIMIENTO

- g. Llene con agua un balde de 5 galones.
- h. Manteniendo la manguera de 3 pies en una posición vertical, llénela completamente con agua. A continuación tapone la salida de la manguera con su dedo pulgar u otro dedo. Coloque el extremo taponado dentro del balde de agua de 5 galones.
- i. Arranque la unidad. Accione varias veces el gatillo de la pistola hasta que todo el aire haya salido del sistema (la unidad está cebada).
- j. Por medio de la acción de sifón extraiga suficiente agua del balde de 19 l (5 gal) hasta que haya justo suficiente agua restante para mezclar con el anticongelante, con la pistola a gatillo mantenido abierto.

NOTA: La preparación apropiada para el invierno está basada en las instrucciones recomendadas del fabricante incluidas en la “Tabla de Protección” mostrada en el rótulo posterior de la mayoría de los recipientes de anticongelantes.

- k. Apunte la vara hacia el recipiente vacío.
 - l. Accione el gatillo de la pistola hasta que el anticongelante comience a salir por la vara. Suelte el gatillo por 3 segundos, a continuación accione el gatillo de la pistola por 3 segundos. Continúe ciclando la pistola varias veces hasta que toda la mezcla anticongelante es extraída del recipiente por la acción de sifón.
 - m. Separe la manguera de 3 pies de la unidad y drene todo el exceso restante de anticongelante dentro del recipiente de 5 galones.
 - n. Desconecte el conjunto de manguera/pistola/vara de la unidad y drene todo el exceso restante de anticongelante dentro del recipiente de 5 galones.
 - o. Almacene la manguera, la pistola y vara junto con la unidad, en un lugar seguro.
 - p. Almacene la solución anticongelante para un uso ulterior o descártela de acuerdo con las leyes de protección del medio ambiente correspondientes.
3. Procedimiento opcional:
- a. Apague la unidad y corte el suministro de agua.
 - b. Elimine la presión del sistema apuntando la pistola a gatillo hacia una dirección segura y accionando el gatillo hasta que el flujo de agua cese de salir por la boquilla.
 - c. Desconecte y drene la manguera, la pistola y la vara.
 - d. Arranque la unidad y permita que funcione hasta que toda el agua salga de la misma. Apague una vez que el agua ha cesado de fluir de la unidad.

NOTA: Debe ejercerse precaución al usar este procedimiento, ya que pueden formarse plaquitas de hielo de las gotas de agua, lo que podría causar que la unidad reviente si se arranca antes de estar completamente descongelada.

ARRANQUE DE LA UNIDAD DESPUES DE UN ALMACENAMIENTO PROLONGADO:

- 1. ASEGURE que la unidad NO esté enchufada a la fuente de potencia.
- 2. Derrita todo el hielo eventual de la vara, la pistola, la manguera y la unidad, antes de arrancar la unidad.
- 3. Arranque la unidad momentáneamente y apáguela inmediatamente para asegurarse que todas las piezas están lubricadas antes de la operación, después de seguir todas las instrucciones de “PREPARACION”.

INSTALACIÓN DEL MONTAJE DE PARED

Utilizando el patron de agujero para la opción apropiada (Figura 1 para CX-0104, Figura 2 para CX-0105).

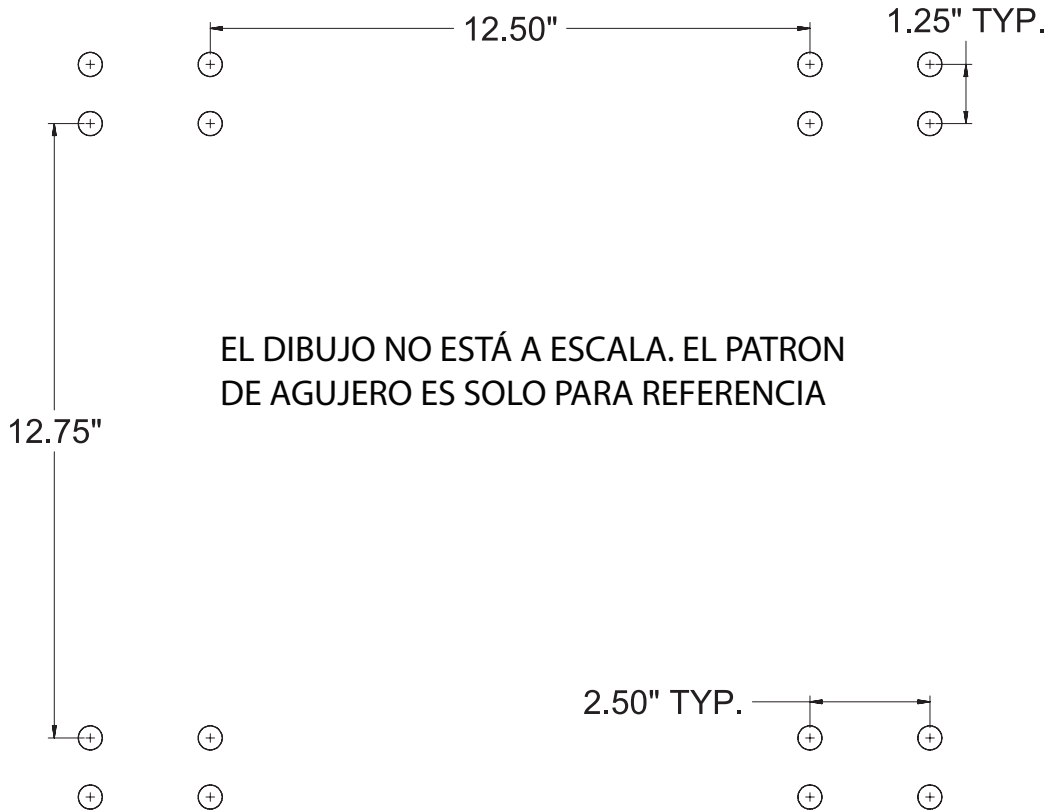


Figure 1: CX-0104 patron de agujero CA-1502-0E1G-W

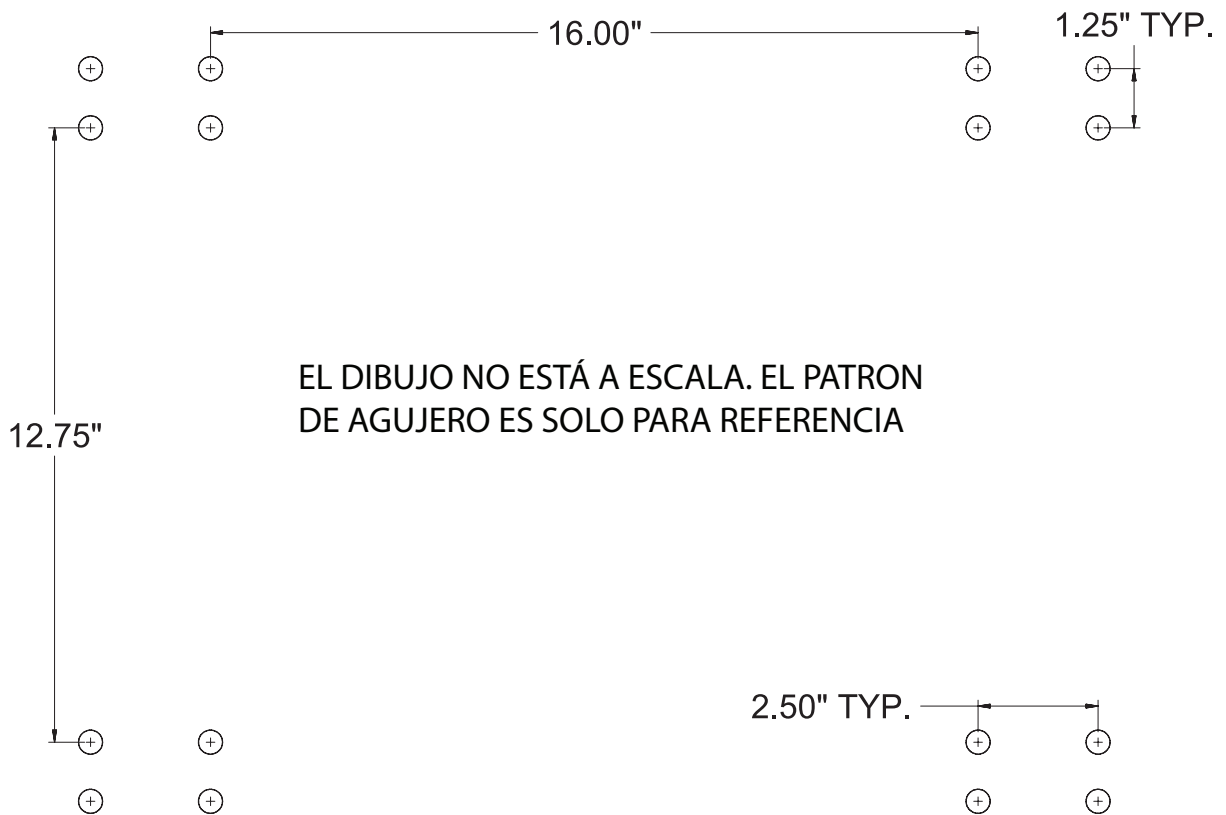


Figure 2: CX-0105 patron de agujero CA-2503/3004-0E2G-W

LOCALIZACION DE FALLAS

SINTOMA	CAUSA PROBABLE	SOLUCION
El motor de la bomba no arranca o se apaga durante el funcionamiento.	GFCI activado o no se volvió a ajustar.	Apague la unidad. Oprima el botón de reposición del GFCI después que se ha enchufado a la fuente eléctrica.
	Enchufe flojo o desconectado	Vuelva a conectar el enchufe.
	Interruptor de circuito activado o circuito quemado en la caja de circuito quemado en la caja de fusibles.	Desconecte todos los otros enchufes del circuito que está siendo usado y reponga el interruptor de circuito o inspeccione y reemplace el fusible.
	Interruptor de circuito activado en la unidad.	Permita que la unidad se enfríe y vuelva a arrancar.
	Sobrecarga del motor.	Restablezca el botón de sobrecarga térmica del motor de la bomba o dentro del tablero de control eléctrico.
	La unidad están congelados.	Permita que se descongele. Si alguna posible que se acumule la presión, lo cual podría ocasionar que la unidad reviente y consecuentement provoque lesiones graves al operador o las personas que se encuentren alrededor.
Se activa el interruptor de circuito o se quema el fusible en la caja de fusibles.	Sobrecarga del circuito.	Verifique que el circuito esté clasificado a 15 amperios o más. Desconecte todos los enchufes en e circuito.
	El cordón de extensión es demasiado largo o el conductor es demasiado pequeño.	Observe los requerimientos eléctricos correctos indicados.
	Demasiada presión.	Reduzca la presión usando la perilla de ajuste de presión.
Se activa el GFCI.	Voltaje incorrecto.	Asegúrese que el suministro eléctrico sea de 120 Voltios/15 Amperios/60 Hertz/Monofásico.
	Corto circuito interno.	Consulte con el Centro de Servicio.
Presión baja o fluctuante.	Está obstruido el tamiz de la entrada de agua.	Retire el filtro, limpie o reemplace.
	La bomba absorbe aire (eliminado el cebado).	Ajuste todas las conexiones de toma de agua. Elimine pérdidas en la línea de toma.
	No está en el modo de alta presión.	Para enganchar el modo de alta presión, tire de la cubierta de la boquilla hacia la pistola.
	Orificio obstruido o gastado.	Retire y limpie, o reemplace.
	La válvula de derivación no está funcionando correctamente.	Repárelos o cámbielos.
	Empaques de la bomba desgastados.	Cambie los empaques.
	El descargador o la válv. de desviación no trabajan bien.	Repárelos o cámbielos.

LOCALIZACION DE FALLAS

SINTOMA	CAUSA PROBABLE	SOLUCION
El agua se está escapando de la válvula de alivio térmico.	Temperatura del agua muy alta.	La temp. del agua de entr. debe ser inferior a 140° F (78° C).
	Temperatura del agua muy alta en la unidad.	No deje a la unidad trabajar en modo de desviación (con la pistola cerrada) más de 5 minutos.
	Válvula defectuosa.	Cámbiela.
Aceite lechoso o espumoso.	Hay agua en el aceite.	Cambie el aceite de la bomba. Llénela al nivel adecuado.
Fuga de aceite en la unidad.	Sellos o aros tóricos desgastados.	Hable al dep. de servicio al cliente.
El detergente no fluirá por sifón en el modo de detergente a baja presión.	El tamiz de detergente no está completamente sumergido en la solución de detergente.	Inspeccione; sumerja si fuera necesario.
	El tamiz del detergente está obstruido.	Inspeccione, limpie o reemplace.
	La manguera de detergente está obstruida o cortada.	Inspeccione, limpie o reemplace.
	Perilla de ajuste de deterg. está en la posición cerrada.	Abra la perilla. Consulte "Limpieza con detergentes".
	No está en el modo de baja presión.	Empuje la cubierta de la boquilla alejada de la pistola.
	La boquilla del detergente está taponado.	Limpie o reemplace.
	Hay demasiadas extensiones de las mangueras de alta presión conectadas a la salida de agua.	Use una extensión como máximo.
Están atascados la bolilla y el resorte del Venturi.	Retire, limpie o reemplace.	
El flujo de agua retrocede al recipiente del detergente.	La esfera y el resorte en el Venturi están invertidos, faltan o están desgastados.	Saque, limpie o reemplace.
Cuando la pistola de gatillo está asegurado en la posición "OFF", el agua fluye desde la boquilla.	La pistola funciona mal.	Repárelos o cámbielos.
El motor funciona pero no hay descarga en la boquilla cuando se acciona el mecanismo del gatillo.	Suministro inadecuado de agua.	Asegure que la manguera tenga ¾ de diámetro y que esté abierto el suministro de agua entrante.
	Doblez en la manguera de entrada de agua.	Elimine el doblez.
	Doblez en la manguera de descarga de alta presión.	Reemplace la manguera.

DECLARACIÓN DE GARANTÍA

El fabricante garantiza que todas las piezas (excepto aquellas a las que se hace referencia abajo), de su nueva lavadora a presión. Cestán libres de defectos en materiales y mano de obra durante los periodos siguientes:

Para un curso de la vida contra congelar y agrietarse:

Colector de bomba

Por siete (7) años a partir de la fecha original de compra:

Bomba de Alta Presión

Por dos (2) años a partir de la fecha original de compra:

Unidad Base Tuberías

Por una (1) años a partir de la fecha original de compra:

GFCI Enciende/apaga la luz

Por noventa (90) días a partir de la fecha original de compra:

Manguera de alta Presión Pistola de Gatillo

Válvulas de descargador Filtro

Las piezas defectuosas que no están sujetas a deterioro causado por el uso serán reparadas o reemplazadas a nuestra opción durante el periodo de garantía. En todo caso, el reembolso está limitado al precio de compra pagado.

EXCLUSIONES

1. El motor está cubierto bajo una garantía separada proporcionada por el fabricante respectivo y está sujeta a los términos en ella establecidos.
2. Partes de desgaste normal:

Empaques de las Bombas	Válvulas de la Bomba
Boquillas	Válvulas del Detergente
Círculo	Connexión Rapida
3. Esta garantía no cubre las piezas dañadas debido al deterioro normal causado por el uso, mala aplicación, mal uso, operación a velocidades, presiones o temperaturas diferentes a las recomendadas. Las piezas dañadas o gastadas a causa del uso de líquidos cáusticos o por la operación en medios ambientes abrasivos o corrosivos o bajo condiciones que causan cavitación de la bomba no están garantizadas. La falla en seguir los procedimientos recomendados de operación y mantenimiento también cancela la garantía.
4. El uso de piezas de repuesto diferentes a las genuinas fabricado cancelará la garantía. Las piezas devueltas, con franqueo pagado a un Centro de Servicio Autorizado serán inspeccionadas y reemplazadas, libre de cargos, si se determina que están defectuosas y sujetas a la garantía. No existen garantías que se extiendan más allá de la descripción contenida aquí. Bajo ninguna circunstancia el fabricante será responsable por la pérdida de uso de la unidad, pérdida de tiempo, inconvenientes, pérdida comercial o daños consecuentes.

PARA SERVICIO O CONSIDERACION DE LA GARANTIA CONSULTE CON:

Telefono: 563-556-7484/Telefone gratis en los EE. UU.: 800-553-9053

Fax 563-556-1235

Lunes - Viernes 8:00 a.m. - 5:00 p.m. CST

