

OPERATORS MANUAL
WLP-SERIES
WATER RECYCLING TREATMENT SYSTEM



CAUTION

RISK OF INJURY!

READ MANUAL BEFORE OPERATING!

This manual is an important part of the water recycling treatment system and must remain with the unit when you sell it!

Table of Contents

INTRODUCTION.....	3
CONTENTS OF WLP-SERIES WATER RECYCLING TREATMENT SYSTEM.....	4
SPECIFICATIONS.....	4
IMPORTANT SAFETY WARNINGS.....	5-7
RISK OF ELECTRIC SHOCK OR ELECTROCUTION.....	5
RISK OF EXPLOSION OR FIRE.....	6
RISK OF BURSTING.....	6
RISK OF BURNS.....	6
RISK FROM MOVING PARTS.....	7
RISK OF BODILY INJURY.....	7
FLOW CHART.....	8-9
FEATURES.....	10-15
INSTALLATION.....	16-17
ATTIRE 16	
INSTALLATION.....	16-18
PRESTART CHECKLIST.....	19
PREPARATION.....	20-23
PRESTART PROCEDURES.....	20
START-UP.....	20
pH AND ORP CONTROL SYSTEM.....	21
INSTALLATION OF pH & ORP PROBES.....	22
CALIBRATING THE pH METER.....	22
SETTING THE pH AND ORP METERS.....	23
FINAL pH AND ORP SYSTEM SETUP.....	23
SETTING OF THE WATER RECYCLING TIMER.....	23
OPERATION.....	24
BEGIN 24	
MAINTENANCE.....	24-28
WASTE OIL DECANTER:.....	24
SOLIDS COLLECTION AREA:.....	24
BACKWASHING OF FILTERS:.....	24-25
MULTI-MEDIA & POLISHING FILTER:.....	25
CARTRIDGE FILTER:.....	25
ACTIVE CARBON TEST:.....	26
REMOVING & REFILLING MEDIA FROM THE MULTIMEDIA & POLISHING FILTER.....	27
WATER TESTING.....	28
WINTERIZING.....	28
TROUBLESHOOTING.....	29-32
NOTES.....	33-34
STATEMENT OF WARRANTY.....	35

⚠ WARNING

⚠ **WARNING:** This product can expose you to chemicals including Lead, which is known to the State of California to cause cancer and birth defects or other reproductive harm. For more information go to www.P65Warnings.ca.gov

⚠ WARNING

⚠ **WARNING:** This product can expose you to chemicals including carbon monoxide, which is known to the State of California to cause birth defects or other reproductive harm. For more information go to www.P65Warnings.ca.gov

INTRODUCTION

Congratulations on the purchase of your new Water Recycling Treatment System! You can be assured your new Water Recycling Treatment System was constructed and designed with quality and performance in mind. Each component has been rigorously tested to ensure the highest level of acceptance.

This operator's manual was compiled for your benefit. By reading and following the simple safety, installation, operation, maintenance and troubleshooting steps described in this manual, you will receive years of trouble free operation from your new water recycling treatment system. The contents of this manual are based on the latest product information available at the time of publication. The manufacturer reserves the right to make changes in price, color, materials, equipment, specifications or models at any time without notice.

! IMPORTANT !

These paragraphs are surrounded by a "SAFETY ALERT BOX". This box is used to designate and emphasize Safety Warnings that must be followed when operating this water recycling treatment system.

Accompanying the Safety Warnings are "signal words" which designate the degree or level of hazard seriousness. The "signal words" used in this manual are as follows:

DANGER: Indicates an imminently hazardous situation which, if not avoided, WILL result in death or serious injury.

WARNING: Indicates a potentially hazardous situation which, if not avoided, COULD result in death or serious injury.

CAUTION: Indicates a potentially hazardous situation which, if not avoided MAY result in minor or moderate injury.



The symbols set to the left of this paragraph are "Safety Alert Symbols". These symbols are used to call attention to items or procedures that could be dangerous to you or other persons using this equipment.

ALWAYS PROVIDE A COPY OF THIS MANUAL TO ANYONE USING THIS EQUIPMENT. READ ALL INSTRUCTIONS BEFORE OPERATING THIS WATER RECYCLING TREATMENT SYSTEM AND ESPECIALLY POINT OUT THE "SAFETY WARNINGS" TO PREVENT THE POSSIBILITY OF PERSONAL INJURY TO THE OPERATOR.

Once the unit has been uncrated, immediately write in the serial number of your unit in the space provided below.

SERIAL NUMBER _____

Inspect for signs of obvious or concealed freight damage. If damage does exist, file a claim with the transportation company immediately. Be sure that all damaged parts are replaced and that the mechanical and electrical problems are corrected prior to operation of the unit. If you require service, contact your customer service.

Please have the following information available for all service calls:

1. Model Number
2. Serial Number
3. Date and Place of Purchase

CONTENTS OF WLP-SERIES WATER RECYCLING TREATMENT SYSTEM

Carefully unpack your new WLP-Series Water recycling treatment system. Check the contents against the packing list. Contact the freight line if a damage claim is required on any component. The following items are the basic equipment sent with your WLP-Series Water recycling treatment system.

1. Sump Pump
2. Three Unattached Floats for Sump Pit
 - a. Blue: Protects sump pump low level.
 - b. Red: To fill pit from the water recycling treatment system.
 - c. Green: High pit level discharge.
3. Water recycling treatment system Platform
 - a. Ozone Generator
 - b. Oil/Water/Solids Separator
 - c. Filter Pump
 - d. Flow Meter
 - e. Multi-Media Filter
 - f. Cartridge Filter
 - g. Polishing Filter
 - h. Transfer Pump
 - i. Pressurized Water Storage Tank
4. Water Test Kit
5. Manual

SPECIFICATIONS

MODEL	WLP-08	WLP-20	WLP-30	WLP-40
MAXIMUM FLOW	8 GPM	20 GPM	30 GPM	40 GPM
ELECTRICAL	230 V 1 Phase 15 Amps	230 V 1 Phase 18 Amps	230 V 1 Phase 28 Amps	230 V 1 Phase 28 Amps
SUMP PUMP	1/2 HP	1/2 HP	1/2 HP	1/2 HP
OIL/WATER/SOLID SEPARATOR CAPACITY	95 Gallons	152 Gallons	152 Gallons	340 Gallons
OIL COALESCING GRID	288 Square Feet	576 Square Feet	576 Square Feet	1152 Square Feet
FILTER PUMP (CENTRIFUGAL)	1/2 HP	1/2 HP	1-1/2 HP	1-1/2 HP
MULTI-MEDIA FILTER	350 lbs.	525 lbs.	525 lbs.	900 lbs.
CARTRIDGE FILTER	120 Square Feet 20 Micron	450 Square Feet 20 Micron	450 Square Feet 20 Micron	600 Square Feet 20 Micron
POLISHING FILTER	110 lbs. degassed	220 lbs. degassed	220 lbs. degassed	330 lbs. degassed
TRANSFER PUMP (CENTRIFUGAL)	1/2 HP	3/4 HP	1 HP	1 HP
DIMENSIONS L x W x H	6' x 5' x 5'	8' x 5' x 5'	8' x 5' x 5'	8' x 10' x 5'
NET WEIGHT	1400 lbs.	2000 lbs.	2000 lbs.	3200 lbs.



IMPORTANT SAFETY WARNINGS



WARNING: When using this product, basic precautions should always be observed, including the following:
READ ALL SAFETY WARNINGS BEFORE USING WATER RECYCLING TREATMENT SYSTEM

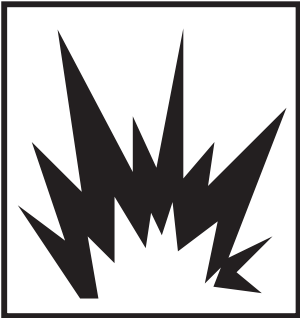

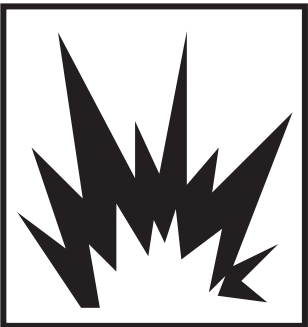

HAZARD	POTENTIAL CONSEQUENCE	PREVENTION
<p data-bbox="180 264 532 323">RISK OF ELECTRIC SHOCK OR ELECTROCUTION</p> 	<p data-bbox="561 264 974 485">Serious injury or death could occur if the water recycling treatment system is not properly grounded. Your water recycling treatment system is powered by electricity and may cause electric shock or electrocution if not installed properly.</p> <p data-bbox="561 1083 974 1171">Electrical shock may occur if water recycling treatment system is not operated properly.</p> <p data-bbox="561 1318 974 1407">Serious injury or death may occur if electrical repairs are attempted by unqualified persons.</p>	<p data-bbox="1016 264 1549 352">Installation of this unit, including all electrical connections, must comply with all local, state and national codes.</p> <p data-bbox="1016 369 1549 541">This product must be grounded. Connect to a GFCI circuit breaker when available. If the unit should malfunction or breakdown, grounding provides a path of least resistance for electric current to reduce the risk of electric shock. Do not ground to a gas supply line.</p> <p data-bbox="1016 558 1549 705">Improper connection of the equipment-grounding conductor can result in a risk of electrocution. Check with a qualified electrician or service personnel if you are in doubt as to whether the system is properly grounded.</p> <p data-bbox="1016 722 1549 869">Always be certain the unit is receiving proper voltage (+/- 5% of the voltage listed on the nameplate). Before installing electrical connections, be certain the power switches are in the "OFF" position.</p> <p data-bbox="1016 886 1549 911">Keep all connections dry and off the ground.</p> <p data-bbox="1016 928 1549 1075">Do not touch pump, pump motor, discharge piping or water when the unit is connected to the power supply; regardless of whether the unit is operating correctly or experiencing an operation failure.</p> <p data-bbox="1016 1092 1549 1180">DO NOT allow metal components of the water recycling treatment system to come in contact with live electrical components.</p> <p data-bbox="1016 1197 1549 1310">Never operate the water recycling treatment system with safety guards/covers removed or damaged. Ensure all electrical covers are securely in place when unit is operating.</p> <p data-bbox="1016 1327 1549 1474">Any electrical wiring or repairs performed on this water recycling treatment system should be done by Authorized Service Personnel in accordance with National and Local electrical codes.</p> <p data-bbox="1016 1491 1549 1864">Before opening any electrical enclosure, always shut off the water recycling treatment system and drain the water. Disconnect the water recycling treatment system from the power source. If the power disconnect is not in sight, lock it in the open position and tag it to prevent power usage. (Never assume the water recycling treatment system is safe to work on just because it is not operating, it could restart at any time! Always disconnect from the power source.) Allow the water recycling treatment system to cool down. Service in a clean, dry, flat area.</p>



IMPORTANT SAFETY WARNINGS

READ ALL SAFETY WARNINGS BEFORE USING WATER RECYCLING TREATMENT SYSTEM





HAZARD	POTENTIAL CONSEQUENCE	PREVENTION
<p>RISK OF EXPLOSION OR FIRE</p>  	<p>Serious injury or death could occur from an explosion or fire caused by a system electric spark.</p>	<p>This unit must be placed in an area that is well ventilated, free of flammable vapors, combustible dust, gases or other combustible materials.</p>
<p>RISK OF BURSTING</p> 	<p>Serious injury or death could occur from bursting caused by excessive pressure in the system.</p> <p>Serious injury may occur if attempting to start the water recycling treatment system when the pump is frozen.</p>	<p>Do not mistreat the pressure gauges on the system. Pressure gauges will malfunction if they are subjected to excessive pressure, vibration, pulsation or temperature or if they are placed in an environment which causes corrosion of parts. Incorrect readings on a pressure gauge could mislead the operator and place him in a dangerous working condition.</p> <p>Do not use a booster pump or any type of additional pumping system. Pressurizing the suction of the pump may cause the pump body to explode.</p> <p>Do not use this water recycling treatment system to pump flammable material! An explosion could occur from a gas vapor buildup inside the system.</p> <p>In freezing temperatures, the unit must always be warm enough to ensure there is no ice formation in the pump. Do not start the water recycling treatment system if it has been in a freezing environment without first allowing the pump to thaw.</p>
<p>RISK OF BURNS</p> 	<p>Serious injury may occur from touching the electrical motor. This area can remain hot for some time after the water recycling treatment system is shutdown.</p>	<p>Never allow any part of your body to contact the electrical motor until cooled.</p>



IMPORTANT SAFETY WARNINGS

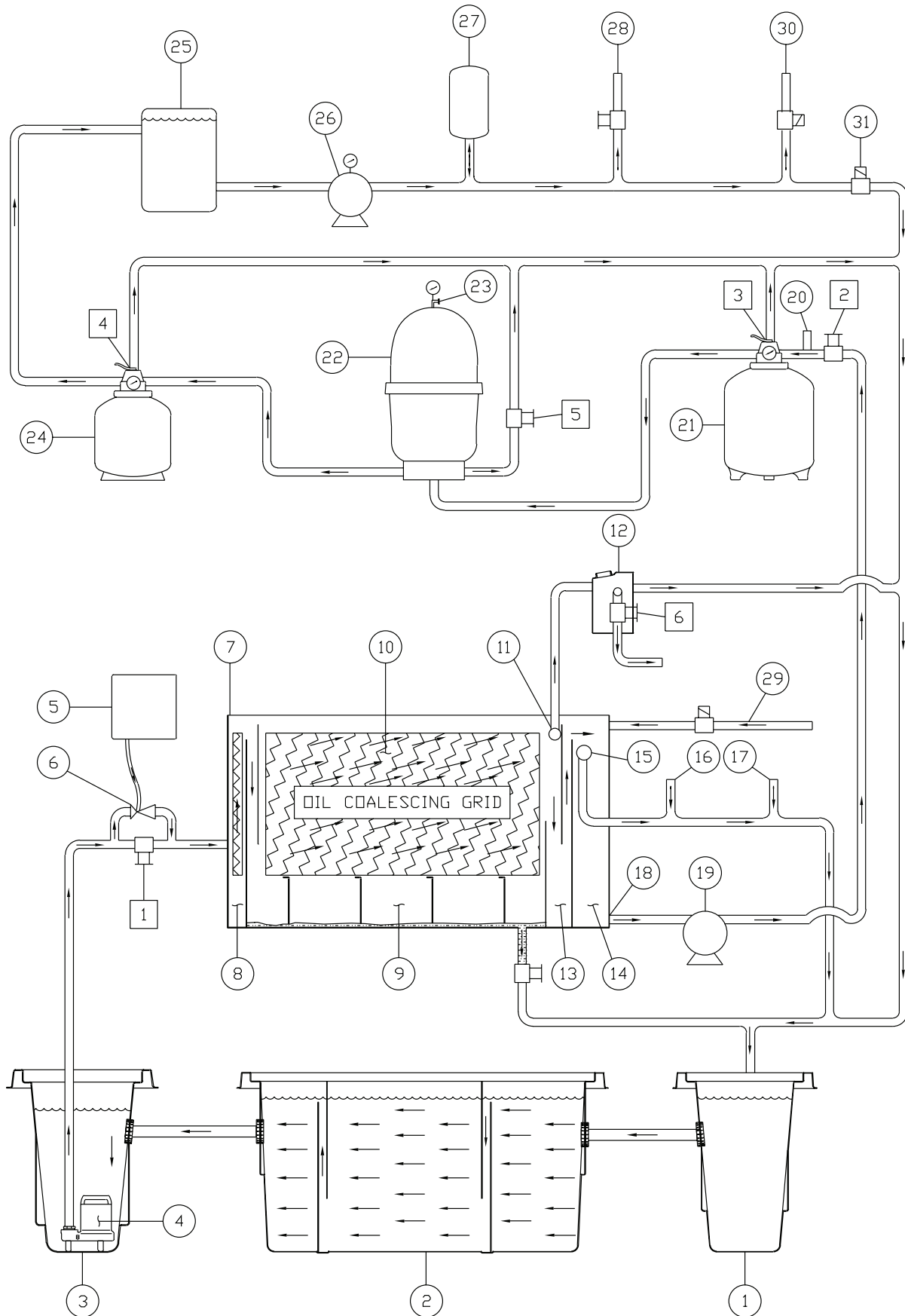
READ ALL SAFETY WARNINGS BEFORE USING WATER RECYCLING TREATMENT SYSTEM



HAZARD	POTENTIAL CONSEQUENCE	PREVENTION
<p>RISK FROM MOVING PARTS</p> 	<p>Serious injury may occur to the operator from moving parts on the water recycling treatment system.</p>	<p>Do not operate the unit without all protective covers in place.</p> <p>Follow the maintenance instructions specified in the manual.</p>
<p>RISK OF BODILY INJURY</p> 	<p>Injury may occur from the water recycling treatment system.</p> <p>Injury may occur from chemicals contacting the skin.</p>	<p>DO NOT DRINK THE WATER IN THE WATER RECYCLING TREATMENT SYSTEM!! This is non-potable water and is not suitable for consumption.</p> <p>The Cartridge Filter operates under pressure. DO NOT attempt to loosen the locking ring or open the filter tank unless the pump is turned off and the air relief valve is opened.</p> <p>DO NOT allow children to operate this unit.</p> <p>DO NOT overreach or stand on unstable support.</p> <p>Wet surfaces can be slippery, wear protective foot gear and keep good footing and balance at all times.</p> <p>Know how to stop the water recycling treatment system. Be thoroughly familiar with controls.</p> <p>Before servicing, ALWAYS shut off the water recycling treatment system.</p> <p>Never use any solvents or highly corrosive detergents or acid type cleaners with this water recycling treatment system.</p> <p>Keep all chemicals out of the reach of children!</p> <p>Consult Material Safety Data Sheets for safe handling of chemicals used with your system, especially oxidizers and acids.</p>

 **!SAVE THESE INSTRUCTIONS!** 

WATER RECYCLING TREATMENT SYSTEM FLOW CHART



WLP-0001-112098-JJ

WATER RECYCLING TREATMENT SYSTEM FLOW CHART

As pressure washers are being operated, used water flows into the **Wash Water Catch Pit (1)**. From there, it moves to the **3-Stage Collection Pit (2)**. Heavier debris will fall to the bottom of the tank where it is trapped by a weir which is designed to stop heavy debris, while still allowing the remaining water to move into the **Sump Pit (3)**. The **Sump Pump (4)** draws water from the **Sump Pit (3)** and brings it through the *Water Inlet Flow Control Valve 1*. This adjustable valve is used to regulate the amount of water flow entering the water recycling treatment system. The **Ozone Generator (5)** creates ozone which the **Ozone Injector (6)** will put into the water before it enters the **Oil/Water/Solid Separator (7)**.

1. Ozone is used to kill bacteria approximately 3,000 times faster than chlorine.
2. Ozone is generated by oxygen molecules passing through a corona discharge ozone generator. This is an electric charge which causes the oxygen atoms to become ozone molecules. Since ozone molecules are extremely unstable, they only retain their structure for a very short time. For this reason, ozone cannot be stored, but instead must be continually produced by the **Ozone Generator (5)**.

The **Oil/Water/Solid Separator (7)** is made up of several sections which are separated by weirs. The ozone and water enter the first section at the bottom of the **Ozone Contact Tank (8)** and move up through the vertical coalescing grids. These grids force the ozone molecules to continue mixing with the water molecules, enabling the ozone to kill the bacteria and contaminants in the water. An overflow drain is positioned near the top of the **Ozone Contact Tank (8)** to send excess water back to the **Sump Pit (3)**. This prevents water from moving too quickly over the 1st weir, under the 2nd weir and into the bottom of the **Separator Tank (9)** which is composed of a horizontal **Oil Coalescing Grid (10)**.

1. The oil molecules in the water adhere to the **Oil Coalescing Grid (10)**. When enough oil molecules attach to each other, the oil droplets float to the surface. The **Oil Skimmer (11)** is positioned near the top of the **Separator Tank (9)** which allows the thin layer of surface oil and water to drain into the **Waste Oil Decanter (12)**. Since oil is lighter than water, the oil floats to the top and is released from the **Waste Oil Decanter (12)** when the *Oil Release Valve 6* is opened. Excess water is returned to the **Wash Water Catch Pit (1)**.
2. Heavier debris will fall to the bottom of the **Separator Tank (9)** where it is trapped by a 3rd weir. This weir is only half the height of the other weirs. It is constructed to stop the debris, while still allowing the oil-free, debris-free water to move over the 3rd weir.

The water then travels under the 4th weir and into the **Water Level Control Tank (13)**. This very small section has a 5th weir positioned to control the level of water in the previous **Separator Tank (9)** tank. The top of the 5th weir is as high as the water level in the **Separator Tank (9)** tank can get. The water moves over this final 5th weir and into the **Holding Tank (14)**. From there the water moves out through one of two drains:

1. **Overflow Drain (15)**: Positioned at the top of the **Holding Tank (14)**. Excess water moves out of this drain and must go past the **Sensor Probes (16 & 17)** before being returned to the pit. (See "pH & ORP Control System" pg. 20 for details.)
2. **Holding Tank Outlet (18)**: This drain is positioned at the bottom of the **Holding Tank (14)** allowing the water to flow to the **Filter Pump (19)**.

The **Filter Pump (19)** sends the water to the *Filter Control Valve 2* which regulates the amount of water going into the filtering system. A **Flow Meter (20)** is positioned just ahead of the **Multi-Media Filter (21)** to monitor flow. (Flow should be set at no more than the rating of the machine.) The *Multi-Media Filter Valve 3* has six settings, with only two being utilized: Filter and Backwash. When in the "Filter" position, water flows into the **Multi-Media Filter (21)** from the top and passes through several layers of filtering product as it moves toward the bottom. By the time the water reaches the bottom of the filter tank, the contaminants have been filtered down to approximately 30 microns. Laterals are positioned at the bottom of the filter tank which absorb the filtered water and move it up through the center and out the top of the tank. From there, the water flows into the bottom of the **Cartridge Filter (22)**. A *Cartridge Filter Drain Valve 5* is located at the bottom of the **Cartridge Filter (22)** for filter cleaning purposes. This valve should be closed during the water recycling treatment operation. On initial start-up, the **Air Bleed Valve (23)** must be opened to let air escape while the **Cartridge Filter (22)** fills with water. Once full, and the **Air Bleed Valve (23)** is closed, the water passes through the Reemay® Polyester Fiber filter which reduces the contaminants down to 20 microns. The water moves out of the **Cartridge Filter (22)** and into the *Polishing Filter Valve 4*. This valve has 5 settings, two of which are utilized: Filter and Backwash. When in the "Filter" position, water flows into the **Polishing Filter (24)** from the top and passes through the activated carbon or filtering agent. As it moves toward the bottom, the activated carbon or filtering agent absorbs odor and contaminants while "polishing" the water. Laterals are positioned at the bottom of the tank which absorb the water and move it up through the center and out the top of the tank. From there, the water moves to the **Product Tank (25)** where the recycled water is held until usage is required. When needed, water is pulled from the **Product Tank (25)** by the **Transfer Pump (26)** and moved into the **Pressure Tank (27)**. This tank holds water at 30-50 PSI/2.0-3.5 Bar. Water moves directly from this tank to the water discharge outlets upon demand.

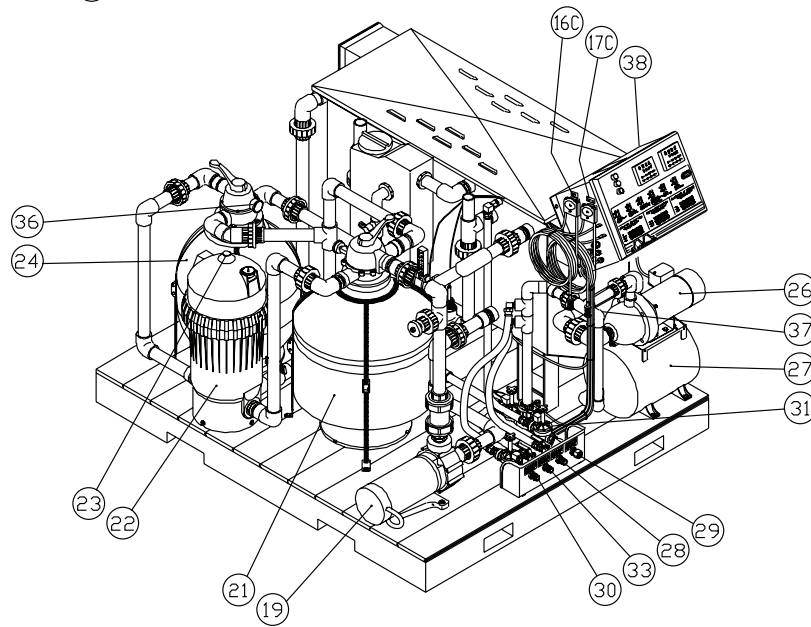
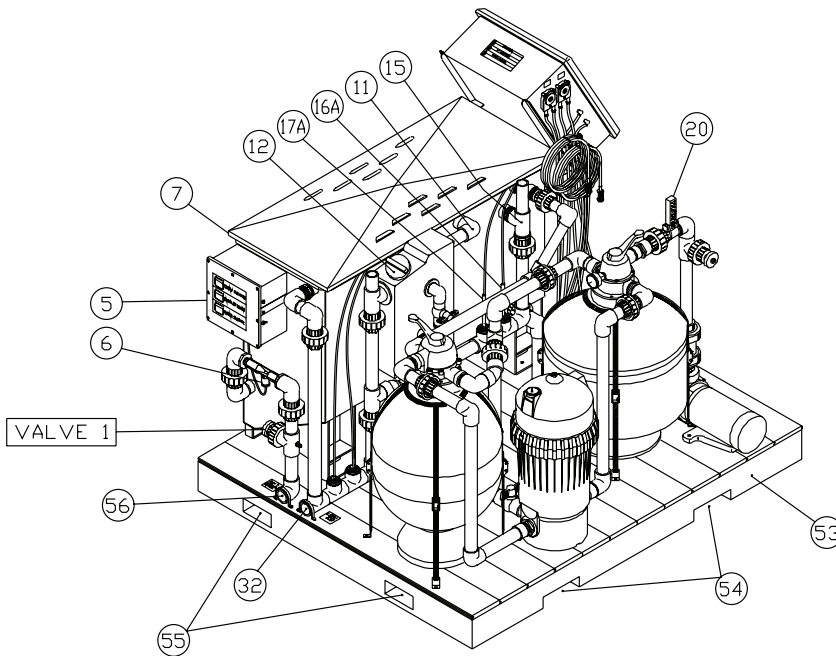
If water is needed for washing, water is sent to the **Outlet to Pressure Washer (28)**.

If the **Wash Water Catch Pit (1)** water level is low, water is added through the **Fresh Water Makeup (29)**.

If the **Wash Water Catch Pit (1)** water level is too high, water is sent to the **Rain Water Overflow (30)**.

If the recycle timer turns on, water is sent through the **Recycled Wash Water (31)** to the **Wash Water Catch Pit (1)**.

PLATFORM VIEW FOR WLP-08



-Water Inlet Flow Control **Valve 1**

-Filter Control **Valve 2**

-Multi-Media Filter **Valve 3**

-Polishing Filter **Valve 4**

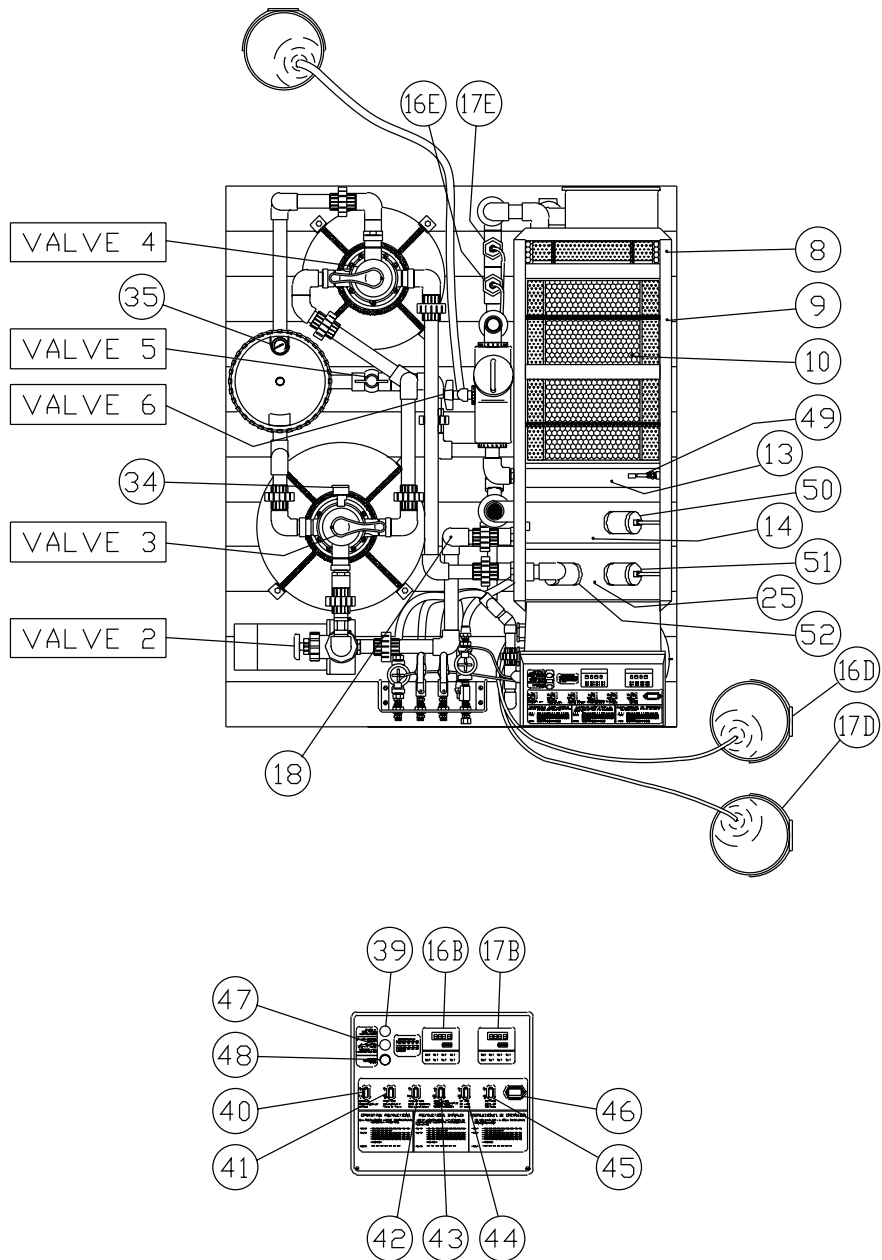
-Cartridge Filter Drain **Valve 5**

-Oil Release **Valve 6**

- | | |
|--------------------------------------|------------------------------|
| 1. Waste Water Catch Pit (on pg. 8) | 16B. pH Meter |
| 2. 3-Stage Collection Pit (on pg. 8) | 16C. pH Pump |
| 3. Sump Pit (on pg. 8) | 16D. pH Adjustment Chemical |
| 4. Sump Pump (on pg. 8) | 16E. pH Chemical Injector |
| 5. Ozone Generator | 17A. ORP Sensor Probe |
| 6. Ozone Injector | 17B. ORP Meter |
| 7. Oil/Water/Solids Separator | 17C. ORP Pump |
| 8. Ozone Contact Tank | 17D. ORP Adjustment Chemical |
| 9. Separator Tank | 17E. ORP Chemical Injector |
| 10. Oil Coalescing Grid | 18. Holding Tank Outlet |
| 11. Oil Skimmer | 19. Filter Pump |
| 12. Waste Oil Decanter | 20. Flow Meter |
| 13. Water Level Control Tank | 21. Multi-Media Filter |
| 14. Holding Tank | 22. Cartridge Filter |
| 15. Overflow Drain | 23. Air Bleed Valve |
| 16A. pH Sensor Probe | 24. Polishing Filter |
| | 26. Motor |
| | 27. Motor |
| | 28. Motor |
| | 29. Motor |
| | 30. Motor |
| | 31. Motor |
| | 32. Motor |
| | 33. Motor |
| | 34. Motor |
| | 35. Motor |
| | 36. Motor |
| | 37. Motor |
| | 38. Motor |

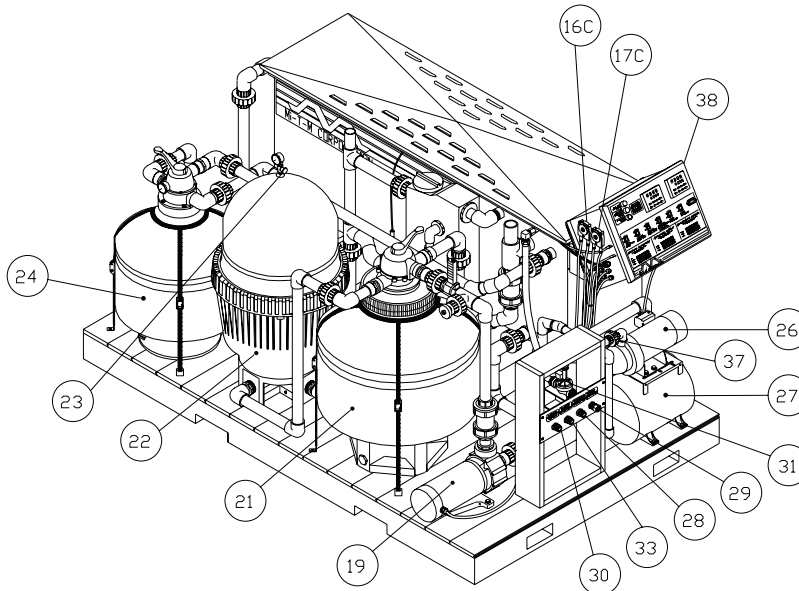
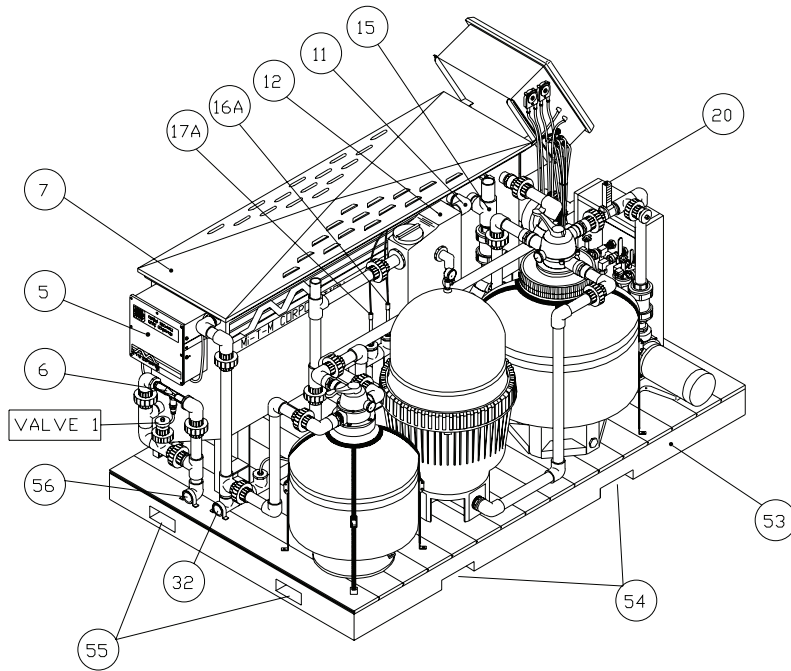
WLP-0058-021899-JJ

AERIAL VIEW FOR WLP-08



- | | |
|--|---|
| 25. Product Tank | 41. Filter Pump Switch (On/Off) |
| 26. Transfer Pump | 42. Transfer Pump Switch (On/Off) |
| 27. Pressure Tank | 43. pH/ORP Meters Switch (On/Off) |
| 28. Outlet to Pressure Washer | 44. pH Pump Switch (On/Off) |
| 29. Fresh Water Makeup | 45. ORP Pump Switch (On/Off) |
| 30. Rain Water Overflow | 46. Hour Meter |
| 31. Recycled Wash Water | 47. Indicator Light: Backwash Required |
| 32. Outlet Return to Pit | 48. Backwash Switch |
| 33. Rinse Water Outlet | 49. Level Limit Switch |
| 34. Pressure Gauge: Multi-Media Filter | 50. Low Filter Pump Float |
| 35. Pressure Gauge: Cartridge Filter | 51. High Filter Pump Float |
| 36. Pressure Gauge: Polishing Filter | 52. Transfer Pump Float |
| 37. Pressure Gauge: Transfer Pump | 53. Skid |
| 38. Control Panel | 54. Side Fork Lift Holes |
| 39. Power Indicator Light | 55. End Fork Lift Holes (6' Fork Suggested) |
| 40. Sump Pump Switch (On/Off) | 56. Inlet from Sump Pump |

PLATFORM VIEW FOR WLP-20 / WLP-30



WLP-0002-021899-JJ

-Water Inlet Flow Control **Valve 1**

-Filter Control **Valve 2**

-Multi-Media Filter **Valve 3**

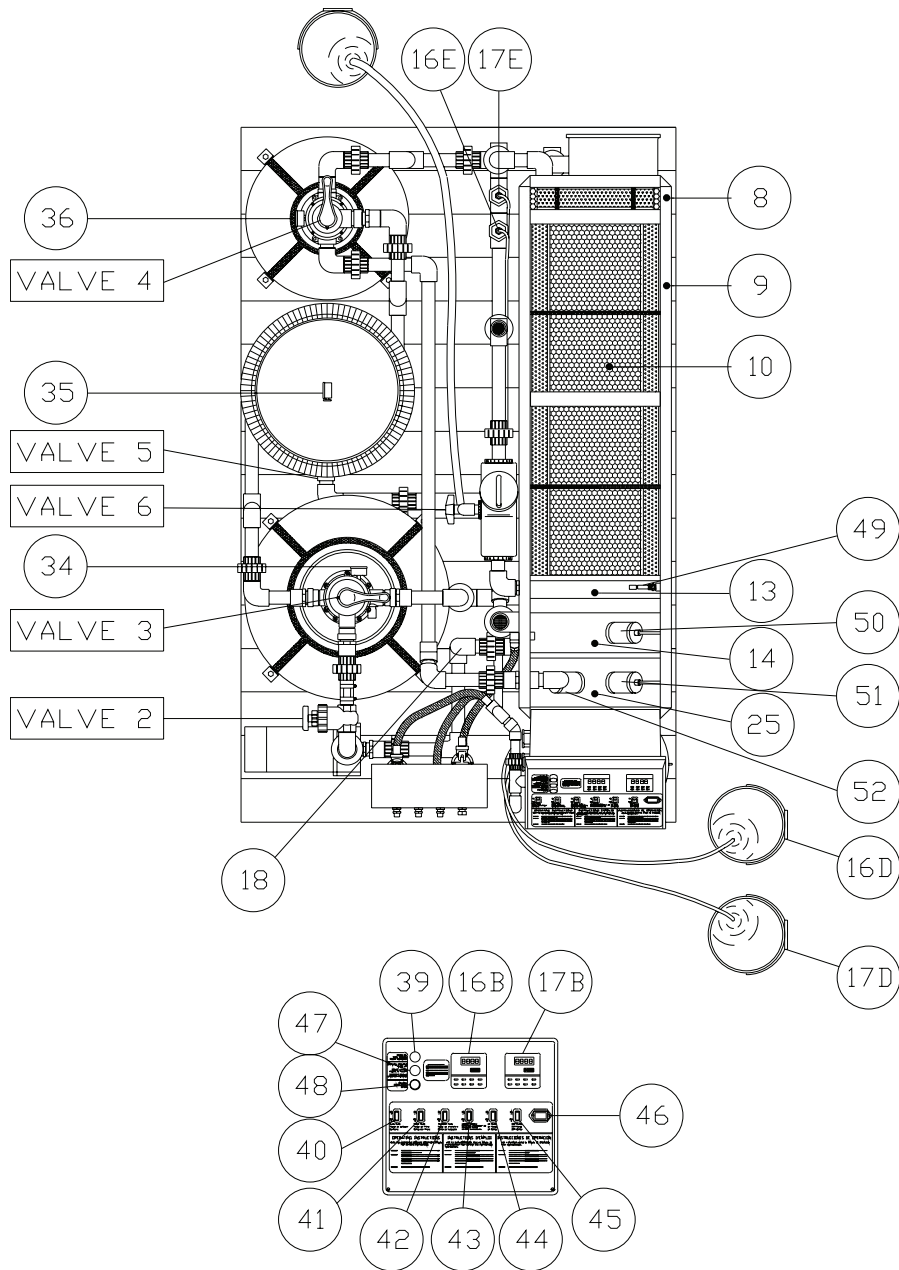
-Polishing Filter **Valve 4**

-Cartridge Filter Drain **Valve 5**

-Oil Release **Valve 6**

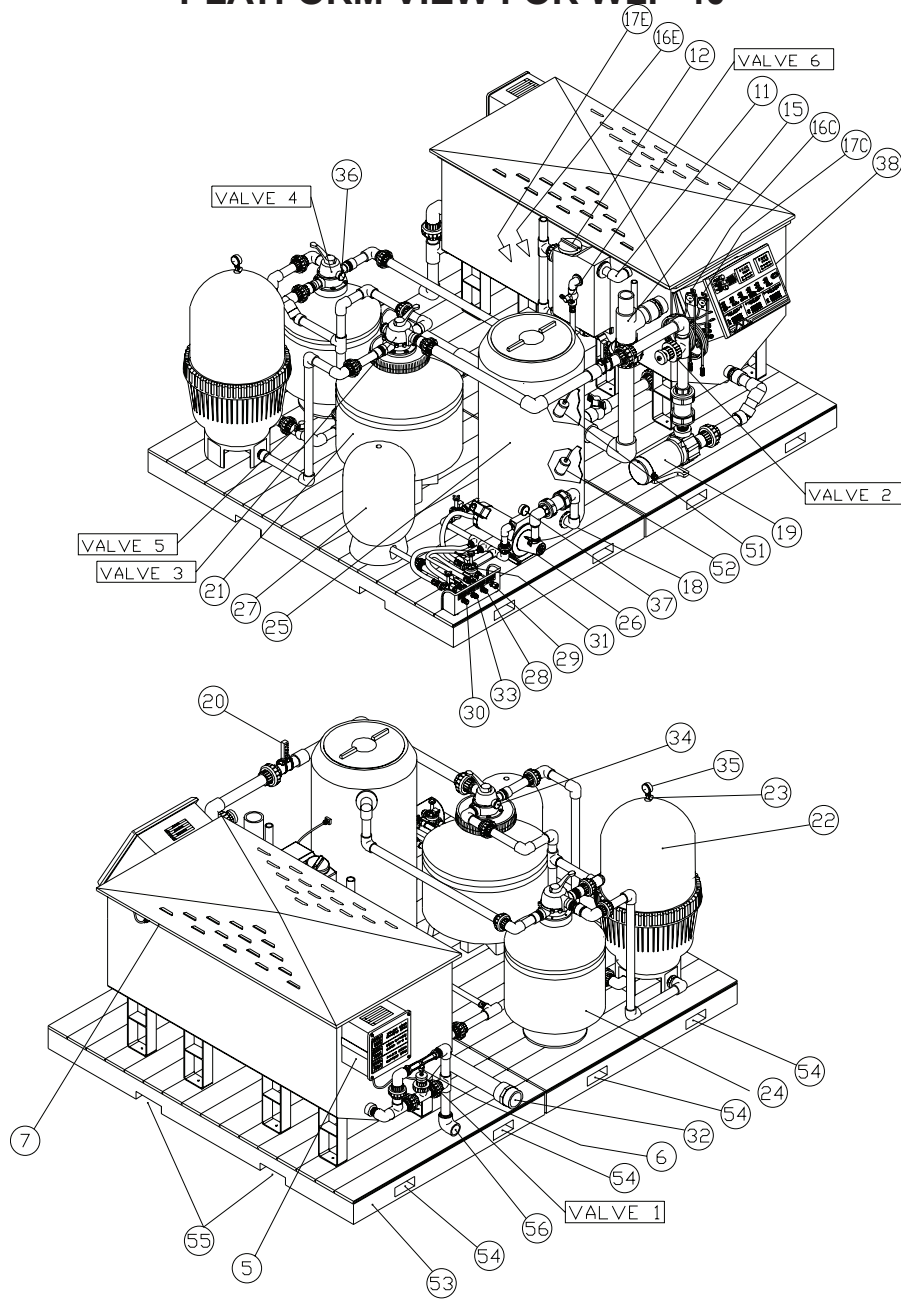
- | | |
|--------------------------------------|------------------------------|
| 1. Waste Water Catch Pit (on pg. 8) | 16B. pH Meter |
| 2. 3-Stage Collection Pit (on pg. 8) | 16C. pH Pump |
| 3. Sump Pit (on pg. 8) | 16D. pH Adjustment Chemical |
| 4. Sump Pump (on pg. 8) | 16E. pH Chemical Injector |
| 5. Ozone Generator | 17A. ORP Sensor Probe |
| 6. Ozone Injector | 17B. ORP Meter |
| 7. Oil/Water/Solids Separator | 17C. ORP Pump |
| 8. Ozone Contact Tank | 17D. ORP Adjustment Chemical |
| 9. Separator Tank | 17E. ORP Chemical Injector |
| 10. Oil Coalescing Grid | 18. Holding Tank Outlet |
| 11. Oil Skimmer | 19. Filter Pump |
| 12. Waste Oil Decanter | 20. Flow Meter |
| 13. Water Level Control Tank | 21. Multi-Media Filter |
| 14. Holding Tank | 22. Cartridge Filter |
| 15. Overflow Drain | 23. Air Bleed Valve |
| 16A. pH Sensor Probe | 24. Polishing Filter |
| | 26. Control Panel |
| | 27. Control Panel |
| | 28. Control Panel |
| | 29. Control Panel |
| | 30. Control Panel |
| | 31. Control Panel |
| | 32. Control Panel |
| | 33. Control Panel |
| | 34. Control Panel |
| | 35. Control Panel |
| | 36. Control Panel |
| | 37. Control Panel |
| | 38. Control Panel |

AERIAL VIEW FOR WLP-20 / WLP-30



- | | |
|--|---|
| 25. Product Tank | 41. Filter Pump Switch (On/Off) |
| 26. Transfer Pump | 42. Transfer Pump Switch (On/Off) |
| 27. Pressure Tank | 43. pH/ORP Meters Switch (On/Off) |
| 28. Outlet to Pressure Washer | 44. pH Pump Switch (On/Off) |
| 29. Fresh Water Makeup | 45. ORP Pump Switch (On/Off) |
| 30. Rain Water Overflow | 46. Hour Meter |
| 31. Recycled Wash Water | 47. Indicator Light: Backwash Required |
| 32. Outlet Return to Pit | 48. Backwash Switch |
| 33. Rinse Water Outlet | 49. Level Limit Switch |
| 34. Pressure Gauge: Multi-Media Filter | 50. Low Filter Pump Float |
| 35. Pressure Gauge: Cartridge Filter | 51. High Filter Pump Float |
| 36. Pressure Gauge: Polishing Filter | 52. Transfer Pump Float |
| 37. Pressure Gauge: Transfer Pump | 53. Skid |
| 38. Control Panel | 54. Side Fork Lift Holes |
| 39. Power Indicator Light | 55. End Fork Lift Holes (6' Fork Suggested) |
| 40. Sump Pump Switch (On/Off) | 56. Inlet from Sump Pump |

PLATFORM VIEW FOR WLP-40



WLP-0071A/B-030999-JTR

-Water Inlet Flow Control **Valve 1**

-Filter Control **Valve 2**

-Multi-Media Filter **Valve 3**

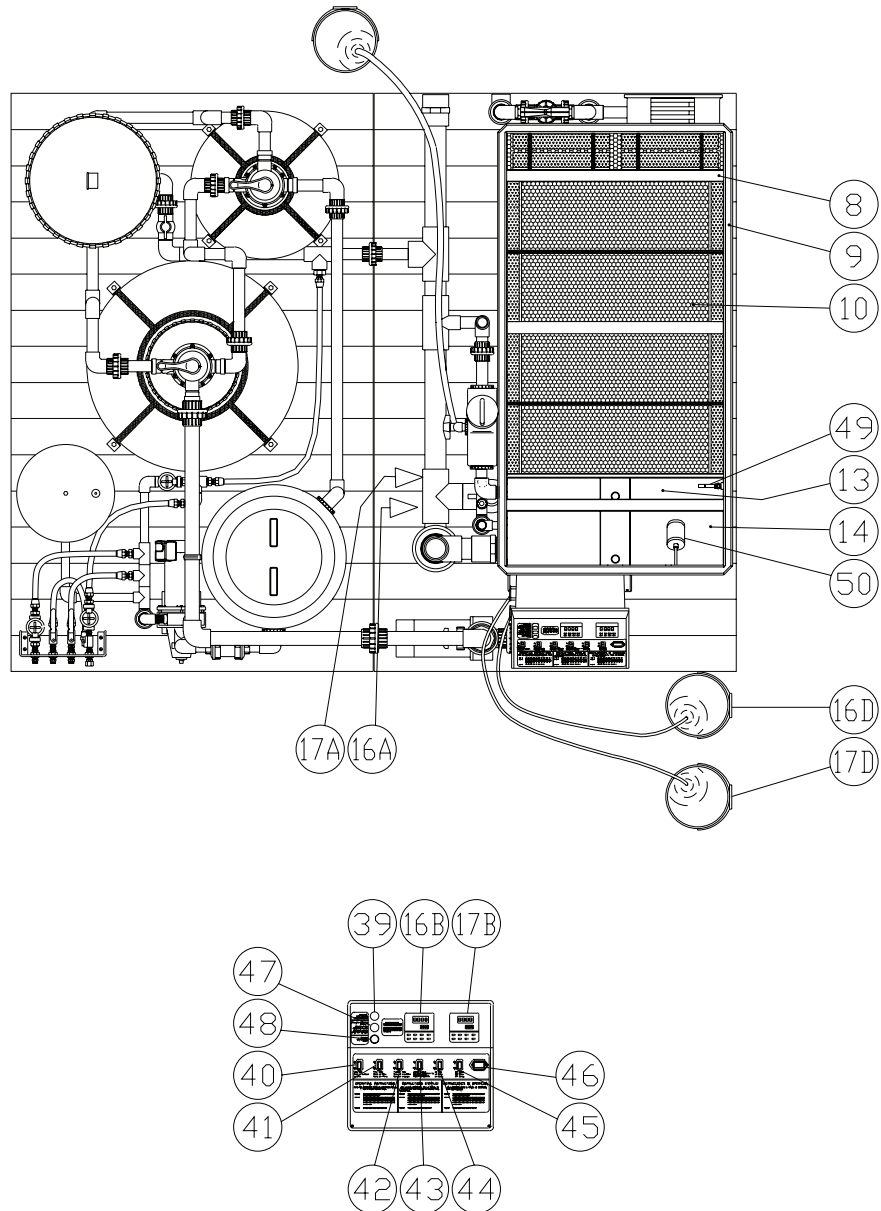
-Polishing Filter **Valve 4**

-Cartridge Filter Drain **Valve 5**

-Oil Release **Valve 6**

- | | |
|--------------------------------------|------------------------------|
| 1. Waste Water Catch Pit (on pg. 8) | 16B. pH Meter |
| 2. 3-Stage Collection Pit (on pg. 8) | 16C. pH Pump |
| 3. Sump Pit (on pg. 8) | 16D. pH Adjustment Chemical |
| 4. Sump Pump (on pg. 8) | 16E. pH Chemical Injector |
| 5. Ozone Generator | 17A. ORP Sensor Probe |
| 6. Ozone Injector | 17B. ORP Meter |
| 7. Oil/Water/Solids Separator | 17C. ORP Pump |
| 8. Ozone Contact Tank | 17D. ORP Adjustment Chemical |
| 9. Separator Tank | 17E. ORP Chemical Injector |
| 10. Oil Coalescing Grid | 18. Holding Tank Outlet |
| 11. Oil Skimmer | 19. Filter Pump |
| 12. Waste Oil Decanter | 20. Flow Meter |
| 13. Water Level Control Tank | 21. Multi-Media Filter |
| 14. Holding Tank | 22. Cartridge Filter |
| 15. Overflow Drain | 23. Air Bleed Valve |
| 16A. pH Sensor Probe | 24. Polishing Filter |

AERIAL VIEW FOR WLP-40



- | | |
|--|---|
| 25. Product Tank | 41. Filter Pump Switch (On/Off) |
| 26. Transfer Pump | 42. Transfer Pump Switch (On/Off) |
| 27. Pressure Tank | 43. pH/ORP Meters Switch (On/Off) |
| 28. Outlet to Pressure Washer | 44. pH Pump Switch (On/Off) |
| 29. Fresh Water Makeup | 45. ORP Pump Switch (On/Off) |
| 30. Rain Water Overflow | 46. Hour Meter |
| 31. Recycled Wash Water | 47. Indicator Light: Backwash Required |
| 32. Outlet Return to Pit | 48. Backwash Switch |
| 33. Rinse Water Outlet | 49. Level Limit Switch |
| 34. Pressure Gauge: Multi-Media Filter | 50. Low Filter Pump Float |
| 35. Pressure Gauge: Cartridge Filter | 51. High Filter Pump Float |
| 36. Pressure Gauge: Polishing Filter | 52. Transfer Pump Float |
| 37. Pressure Gauge: Transfer Pump | 53. Skid |
| 38. Control Panel | 54. Side Fork Lift Holes |
| 39. Power Indicator Light | 55. End Fork Lift Holes (6' Fork Suggested) |
| 40. Sump Pump Switch (On/Off) | 56. Inlet from Sump Pump |

INSTALLATION

ATTIRE:

1. Proper attire is essential to your safety. It is advised to utilize whatever means necessary to protect eyes, ears, and skin.

INSTALLATION:

1. A Collection Pit System must already be an established structure before installing the WLP-Series water recycling treatment system. A well designed pit system is critical for the proper operation of the recycle system. Consult your dealer for installation requirements.
2. Place the water recycling treatment system platform on a hard, level surface in an area free of flammable vapors, combustible dust, gases or other combustible materials. Place a level on the **Oil/Water/Solids Separator (7)** to ensure it is level. Shim the **Skid (53)** if necessary.

WLP-40 ONLY:

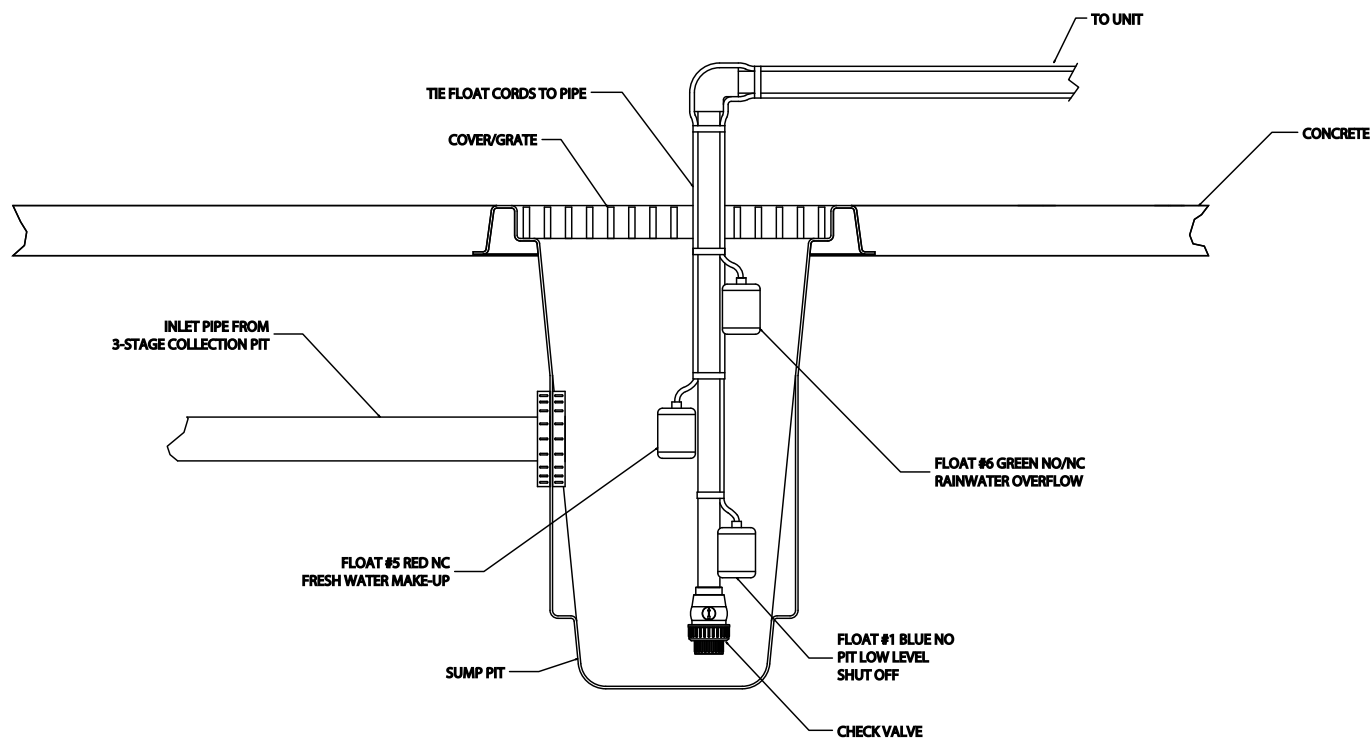
- a. Line up the two skids so the two PVC lines from each skid are flush with each other.
- b. Connect the PVC lines by tightening the unions.
- c. Connect the two lines from the **Product Tank (25)** to the **Control Panel (38)**.
- d. Connect the power cord from the **Control Panel (38)** to the **Transfer Pump (26)**.
- e. Solenoid actuators will need to be attached to the valve assemblies behind the **Fresh Water Inlet (29)** and the **Rain Water Overflow (30)**. (See drawing at below.) Be certain the numbers on the solenoid and solenoid actuators match.

INSTALLATION

3. Set the unit so you have access to the filters and **Control Panel (38)**.
4. Do not place unit in an area:
 - a. with insufficient ventilation.
 - b. where environmental hazards (i.e. rain and snow) can come in contact with the water recycling treatment system.
 - c. in a freezing environment.
5. The water recycling treatment system is shipped with union connections loosened to protect the unit from shipping damage. Tighten all union connections at this time.
6. Hook up the **Inlet From Sump Pump (56)** and **Outlet Return To Pit (32)** plumbing. Use schedule 80 PVC slip connections.
 - a. Install the **Sump Pump (4)** in the **Sump Pit (3)** as shown below.
 - b. Install plumbing from **Sump Pump (4)** using minimum connection sizes as listed:

WLP-8 / WLP-20 / WLP-30	WLP-40
<u>1-1/2"</u>	<u>2"</u>
 - c. Install a check valve near the outlet plumbing of the **Sump Pit (3)**.
 - d. Install the return plumbing using minimum connection sizes as listed:

WLP-8	WLP-20 / WLP-30	WLP-40
<u>1-1/2"</u>	<u>2"</u>	<u>3"</u>
7. Install the three floats in the **Sump Pit (3)**. Allow a 2" tether and enough room for them to move freely without interfering with the plumbing.
 - a. Float #1 Blue: Pit low level shut-off. Attach this float 10" above the **Sump Pump (4)** inlet.
 - b. Float #5 Red: Fresh water makeup. Height of this float must be adjusted to the individual pit system.
 - c. Float #6 Green: Rain water overflow. Height of this float must be adjusted to the individual pit system.



SUMP PUMP LAYOUT WLP-082902-KS

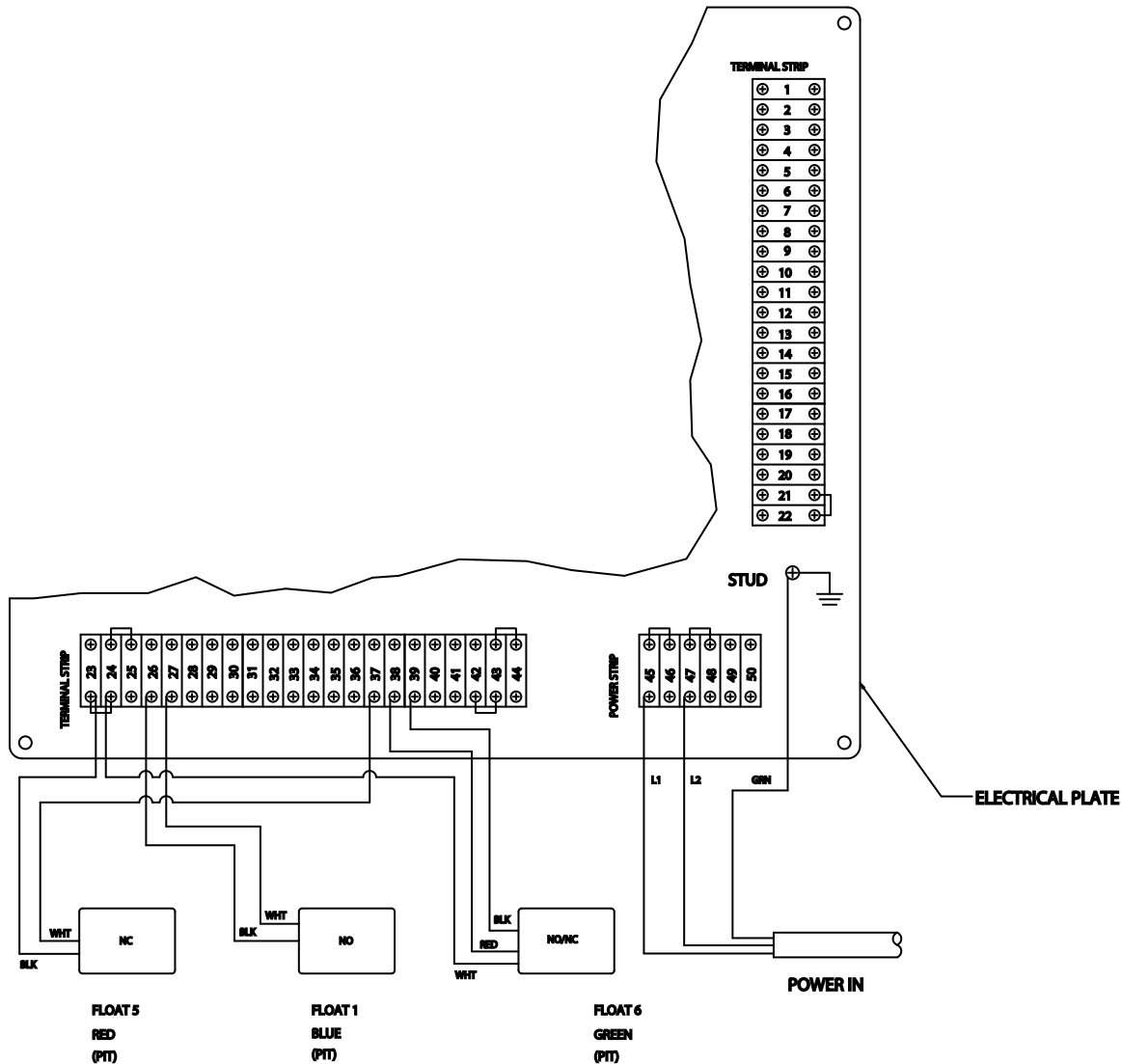
INSTALLATION



WARNING

RISK OF ELECTROCUTION! TO REDUCE THE RISK OF ELECTROCUTION, KEEP ALL CONNECTIONS DRY AND OFF THE GROUND.

8. A qualified electrician must hook up the electrical system.
 - a. Verify the electrical supply at the power source is off.
 - b. Be certain all switches on the **Control Panel (38)** are in the "OFF" position.
 - c. Run water tight conduit
 1. From the **Sump Pump (4)** and Floats to the **Control Panel (38)**.
 2. From the local disconnect to the **Control Panel (38)**. The electrician will need to drill holes in the **Control Panel (38)** for the conduit.
 - d. Make connections to the terminal strips as shown below.



FIELD WIRE DIA. WLP-08/20/3/40-082902-KS

9. Make the following hose connections:
 - a. From a pressurized water supply to the **Fresh Water Makeup (29)**.
 - b. From the **Outlet to Pressure Washer (28)** to the pressure washer.
 - c. From the **Rain Water Overflow (30)** to a sewer or drain. Do not send this water back to the **Wash Water Catch Pit (1)**!

NOTE: In most cases, you must have a permit to legally dispose recycled water.

STOP

TO ENSURE YOUR WATER RECYCLE TREATMENT SYSTEM OPERATES SAFELY AND EFFICIENTLY, COMPLETE THE PRE-OPERATION CHECKLIST BEFORE PROCEEDING.

PRE-OPERATION CHECKLIST

Before proceeding, answer all the questions on this checklist.	YES	NO
CODES:		
1. Does the electrical wiring meet all codes?		
2. Does plumbing meet all codes?		
LOCATION:		
1. Is the unit located on a hard level surface free of flammable vapors, combustible dust, gases or other combustible materials?		
2. Is the unit located in a large ventilated area?		
ELECTRICAL:		
1. Is the unit properly grounded?		
2. Does the power supply, voltage and amperage match the data plate?		
PLUMBING:		
1. Is the plumbing sized correctly?		
2. Is the check valve installed near the Sump Pump (4) ?		
3. Are all unions tightened?		
GENERAL:		
1. Have all operators using this unit read and understood this entire manual?		
2. Has the unit been installed by qualified service people who followed the instructions listed in this manual?		

IF "NO" WAS MARKED TO ANY OF THESE QUESTIONS, CORRECT THE SITUATION BEFORE OPERATING.

PREPARATION

PRESTART PROCEDURES:

1. Position the valves on the WLP water recycling treatment system in the "Start-up Mode".
 - Water Inlet Flow Control Valve 1: Turn valve one rotation short of completely closed.
 - Filter Control Valve 2: Turn valve one rotation short of completely closed.
 - Multi-Media Filter Valve 3: Turn valve to "Filter".
 - Polishing Filter Valve 4: Turn valve to "Filter".
 - Cartridge Filter Drain Valve 5: Turn valve completely closed.
 - Air Bleed Valve (23): Turn valve open.
 - Oil Release Valve 6: Turn valve completely closed.
 2. Be certain all hoses are securely connected. (See Installation #9, pg. 18.)
 3. Be certain the incoming air tube to the **Ozone Generator (5)** is not obstructed.
 4. Be certain all switches on the **Control Panel (38)** are in the "OFF" position.
 5. Turn on the power supply. The **Power Indicator Light (39)** should glow.
-

START-UP:

1. Ensure water supply from the **Rain Water Overflow (30)** is turned on and pit is filled with water.
2. Turn on the **Sump Pump Switch (40)**. Water will flow into the **Oil/Water/Solids Separator (7)**.
3. Turn on the switch located on the **Ozone Generator (5)**.
4. Flow can be increased by opening the Water Inlet Flow Control Valve 1. Fill the **Oil/Water/Solids Separator (7)**.
5. As the water fills the **Holding Tank (14)**, it will begin to flow out the **Overflow Drain (15)** at the top of the tank. At this point, flow can be adjusted with the Water Inlet Flow Control Valve 1. Maximum flow is achieved when the water level remains constant in the **Holding Tank (14)**.
6. Turn on the **Filter Pump Switch (41)**. The **Filter Pump (19)** will automatically turn off when the system is full of water.
7. As water flows to the filters, use the Filter Control Valve 2 to adjust the water flow to the unit rating maximum. Check the **Flow Meter (20)** located ahead of the **Multi-Media Filter (21)**.
8. Allow **Multi-Media Filter (21)** to fill. Once full, water will begin to flow to the **Cartridge Filter (22)**.
9. Air will release from the **Air Bleed Valve (23)** as the **Cartridge Filter (22)** fills. Close the **Air Bleed Valve (23)** when water begins to exit from it. This indicates the **Cartridge Filter (22)** is filled and water will begin flowing to the **Polishing Filter (24)**. For optimum efficiency, occasionally open the **Air Bleed Valve (23)** while the **Filter Pump (19)** is operating to relieve any air buildup.
10. Once the **Polishing Filter (24)** is full, water will begin flowing to the **Product Tank (25)**.
11. When the **Product Tank (25)** is full and the **Filter Pump (19)** turns off, prime the **Transfer Pump (26)** by opening the **Outlet to Pressure Washer (28)** valve until water exits.
12. Turn on the **Transfer Pump Switch (42)** to allow water to flow into the **Pressure Tank (27)**.
13. Water is now completely cycled in the system.

PREPARATION

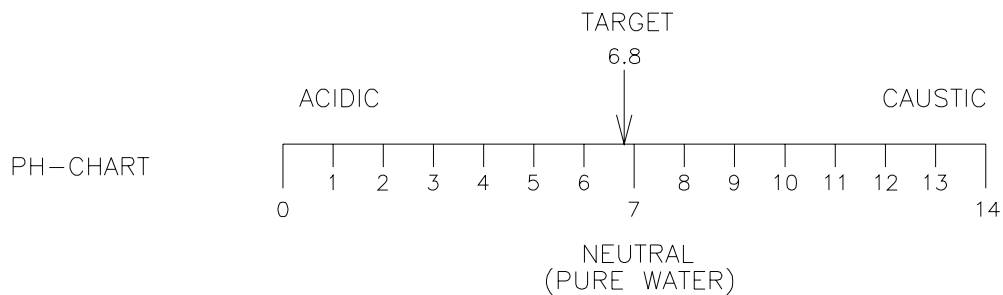
pH AND ORP CONTROL SYSTEM:

Proper pH and ORP levels must be maintained in the pit to prevent growth of bacteria, algae, odors, etc. Water must be chemically balanced to effectively recycle. The **Ozone Generator (5)** will destroy most bacteria, but if the water becomes chemically unbalanced, you may need to add chlorine to regain control. The effectiveness of chlorine in the water depends on the pH level.

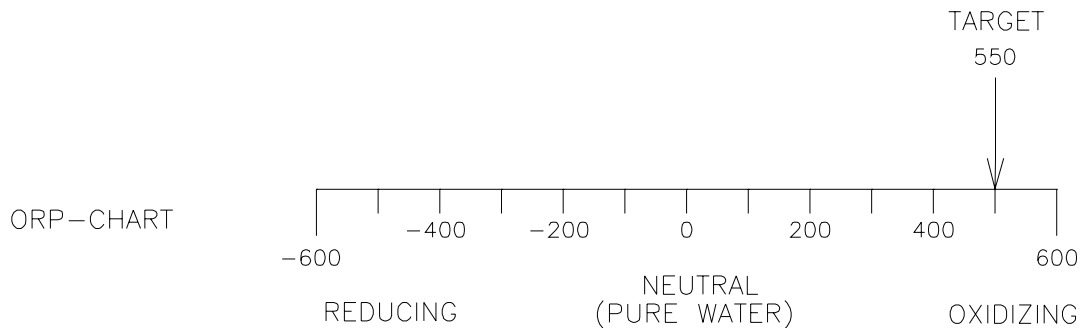
- The optimum pH level to safely add chlorine is 6.0. At this level, the chlorine is approximately 95% effective.
- As the pH level rises to 7.0, the effective rate drops to approximately 70%.
- At a pH level of 8.0 and above, the chlorine is essentially ineffective.

As excess water flows from the **Overflow Drain (15)**, it moves past the **pH and ORP Sensor Probes (16A & 17A)** before returning to the **Waste Water Catch Pit (1)**. The **Sensor Probes (16A & 17A)** analyze the pH and ORP levels in the water.

- pH Sensor Probe (16A).** This probe analyzes the pH (acidity & alkalinity) in the water. If the water is too acidic (low pH) the acid will breakdown the iron present in the water to a liquid form, thus causing rusty looking water in the system. If the water is too alkaline (high pH) the bacteria killing potential of the ORP agent will be drastically lowered.



- ORP Sensor Probe (17A).** This probe analyzes the Oxidation Reduction Potential (ORP). This reading states amount of bacteria killing agent in the water.



The probes analyze the pH and ORP levels of the water and display the readings in the digital **pH and ORP Meters (16B & 17B)**.

PREPARATION

INSTALLATION OF PH AND ORP PROBES:

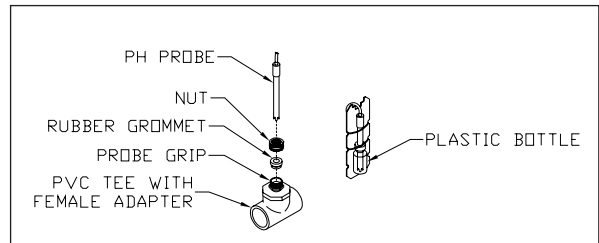
CAUTION

RISK OF PROBE DAMAGE!

- DO NOT ALLOW PROBES TO BE EXPOSED TO AIR. ONCE PROBES ARE IN PLACE, TURN WATER ON IMMEDIATELY.
- HANDLE PROBES CAREFULLY AS THEY ARE MADE OF GLASS.
- DO NOT ALLOW PROBES TO BE EXPOSED TO FREEZING ENVIRONMENTS. KEEP THE ORIGINAL CONTAINERS IN WHICH THE PROBES WERE SHIPPED. THEY WILL BE NEEDED FOR PROBE STORAGE DURING WINTERIZING.

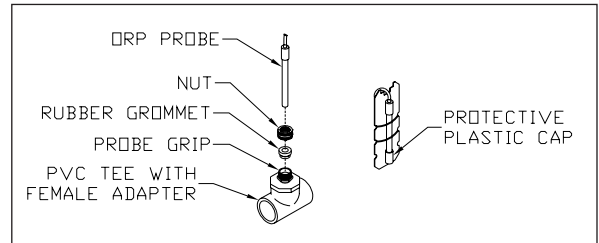
1. Turn off the **Sump Pump Switch (40)** and ensure no water is being discharged.
2. Locate the probe grips at the **Chemical Injectors (16E & 17E)** and unscrew the nut from one of the grips.
3. Remove one of the probes (pH or ORP) from its storage container. (Be certain to save the container for probe storage during winterizing.)
4. Carefully slide the probe grip nut over the glass probe.
5. Gently push the probe through the probe grip approximately 2 inches and tighten the nut onto the probe grip.
6. Repeat process for the remaining probe.
7. Turn on the **Sump Pump Switch (40)** and the **pH/ORP Meters Switch (43)**.

pH SENSOR PROBE



WLP-0006-110298-JJ

ORP SENSOR PROBE

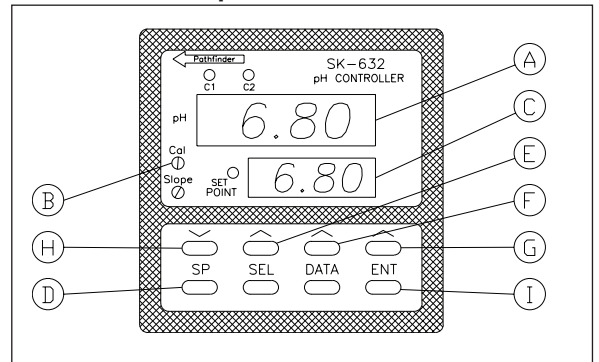


WLP-0007-110298-JJ

CALIBRATING pH METER:

1. The pH and ORP meters are preset at the factory.
 - a. The **ORP Meter (17B)** will not need to be recalibrated.
 - b. The **pH Meter (16B)** should be checked for accuracy on a weekly basis.
2. Follow the procedure outlined below to calibrate the **pH Meter (16B)**.
 - a. Turn off the **Filter Pump Switch (41)** and ensure water is flowing through the **Overflow Drain (15)**.
 - b. Dip a test strip in the **Holding Tank (14)** for a pH reading.
 - c. If the reading on "A" does not correspond to the reading on the test strip, use a small screwdriver and *slowly* turn the CAL (calibration) set screw "B" on the **pH Meter (16B)** until the "A" reading matches the number on the test strip.
 1. You do not need to calibrate if the pH level on the test strip and the **pH meter (16B)** is within a +/- .4.
 2. If the meter does not calibrate correctly, follow the detailed directions in the manual accompanying your **pH Meter (16B)**.

pH METER



WLP-0010-110298-JJ

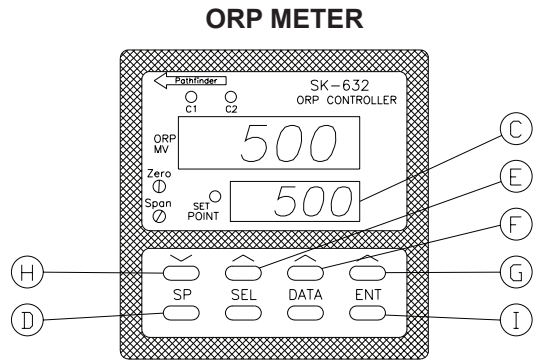
PREPARATION

SETTING THE pH AND ORP METERS:

1. A suitable pH level reading should be 6.8. When the pH of the water rises above this number, chemical will be added from the **pH Adjustment Chemical (16D)**.

WARNING!
DO NOT add chlorine to water with a pH level lower than 6.0 as the chlorine may become toxic.

2. A suitable ORP reading should be approximately 500. When the ORP of the water falls below this number, chemical will be added from the **ORP Adjustment Chemical (17D)**.
3. Follow the directions below to register the set point "C" of the **pH and ORP Meters (16B & 17B)**.
 - a. Press the SP button "D" on the meter. Press the button that corresponds to the desired number you wish to change "E-G". The first number will begin flashing. Press "E-G" to raise the number or "H" to lower the number.
 - b. When the correct number is achieved, press enter "I".



WLP-0011-112098-JJ

FINAL PH AND ORP SYSTEM SETUP:

1. Place the hoses from the **pH and ORP Pumps (16C & 17C)** into the **Adjustment Chemicals (16D & 17D)**.
 - a. The recommended pH chemical for this system is aluminum sulfate.
 - b. The recommended ORP chemical for this system is sodium hypochlorite.
2. Turn on the **pH and ORP Pump Switches (44 & 45)**. Chemicals will be inserted into the water as calibrated.

SETTING OF THE WATER RECYCLING TIMER:

1. Dormant water creates bacteria buildup and odor. If the water recycling treatment system is going to be dormant for more than three hours, a water recycle mode should be setup.
2. The water recycling treatment system should be set to recycle in accordance with the unit dormant time.

Example 1: If the unit will be dormant for approximately 10 hours, the recycle time should be set to run for 3-4 hours half way between the dormant time.

Dormant time: 8:00 p.m. to 6:00 a.m.
 Recycle time: 11:00 p.m. to 3:00 a.m.

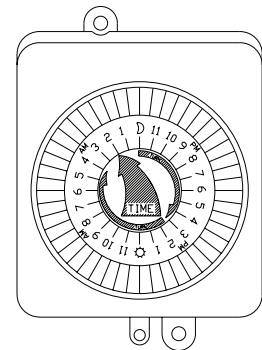
Example 2: If the unit will be dormant for approximately 3 hours, the recycle time should be set to run for 1 hour half way between the dormant time.

Dormant time: 2:00 a.m. to 5:00 a.m.
 Recycle time: 3:00 a.m. to 4:00 a.m.

NOTE: If odor is still present, increase recycle times.

3. Disconnect power to the system and open the **Control Panel (38)**. Located inside the **Control Panel (38)**, the water recycling timer consists of individual pins which surround a 24 hour clock display.
 - a. Turn the dial until the arrow points to the correct time.
 - b. Each pin represents 1/2 hour of water recycling time.
 - c. Using your fingertips, pull the amount of pins needed for water recycling time to correspond to the clock on the timer.
 - d. The water recycling treatment system will automatically recycle during the set time.
4. Close the **Control Panel (38)** and reconnect power supply.

WATER RECYCLING TIMER



WLP-0012-112098-JJ

OPERATION

BEGIN:

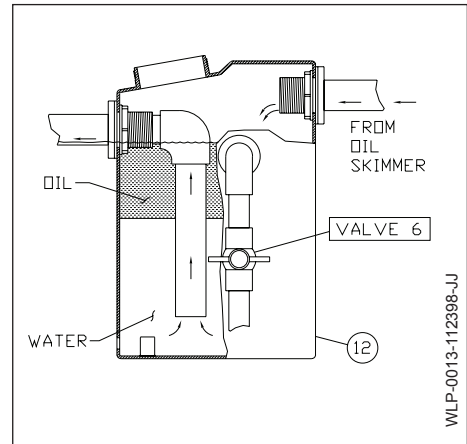
1. The water recycling treatment system is now ready to operate.
2. Ensure all switches on the **Control Panel (38)** are on.
3. Monitor the system closely the first few days to ensure smooth operation.

MAINTENANCE

WASTE OIL DECANTER:

1. The **Oil Skimmer (11)** removes the top layer of oil and water from the **Oil/Water/Solids Separator (7)** and places it in the **Waste Oil Decanter (12)**. As the **Waste Oil Decanter (12)** fills with the oil/water mixture, the oil will float to the top while the water remains on the bottom. The water then moves out of the bottom of the tank and back to the pit to be recycled again. As the amount of oil accumulates, it will have to periodically be removed from the **Waste Oil Decanter (12)** to prevent it from building up and flowing out of the bottom of the **Waste Oil Decanter (12)**.
 - a. Place a 5 gallon bucket below the hose on the Oil Release Valve 6.
 - b. Open the Oil Release Valve 6 and allow oil to flow into the 5 gallon bucket. Turn off valve when water begins flowing into the bucket.
 - c. Dispose of oil according to EPA Standards.

WASTE OIL DECANTER



SOLIDS COLLECTION AREA:

The solids collection area of the **Separator Tank (9)** will need to be cleaned occasionally to prevent overflow of solids into the **Holding Tank (14)**. This could be done one of two ways. In either situation, do not use pressure washers while performing this maintenance.

1. Using 2" PVC, plumb a discharge line with a shut-off valve from the solids collection area back to the **Wash Water Catch Pit (1)**, or other settling area. This will allow manual control of solids flow out of the water recycling treatment system, eliminating the need to stop the unit and clean the **Separator Tank (9)**.
2. If a discharge line is not hooked up to the solids collection area, the unit will need to be stopped for cleaning purposes.
 - a. Turn the **Sump Pump Switch (40)** to off.
 - b. Place a catch basin under the solids collection area drain.
 - c. Open the drain at the bottom of the solids collection area.
 - d. Allow water and solids to flow out of **Separator Tank (9)**.
 - e. Hook a hose up to the **Rinse Water Outlet (33)**.
 - f. Wash out the solids collection area. The **Oil Coalescing Grid (10)** and baffles may be removed at this time for more thorough cleaning.
 - g. When clean, reinsert the **Oil Coalescing Grid (10)** and baffles if applicable.
 - h. Turn the **Sump Pump Switch (40)** to on.
 - i. Solids collected in the catch basin should be returned to the **Wash Water Catch Pit (1)** or disposed of according to EPA standards.

BACKWASHING OF FILTERS:

1. Backwashing removes debris from the filters and sends the sediments back to the pit where they will settle. Always backwash the filters if the **Indicator Light (47)**/audio alarm turns on. The **Multi-Media Filter Pressure Gauge (34)** should be checked daily for pressure elevation. When the pressure difference between the **Multi-Media Filter Pressure Gauge (34)** and **Polishing Filter Pressure Gauge (36)** registers more than 10 PSI, the **Multi-Media Filter (21)** needs to be cleaned even if the **Indicator Light (47)** is not lit.
2. Pressure washers cannot be in use when backwashing any filters.
3. When performing backwash maintenance, backwash the **Polishing Filter (24)** immediately after backwashing the **Multi-Media Filter (21)**. When backwashing is complete, be certain to clean the **Cartridge Filter (22)** (see page 24).

CAUTION!

Filter Pump Switch (41) must be turned off before repositioning any valves on the Filters! Failure to do so can cause equipment damage.

MAINTENANCE

a. Multi-Media Filter (21) & Polishing Filter (24):

1. Turn the **Filter Pump Switch (41)** to OFF.
2. Set the Multi-Media Filter Valve 3 to "Backwash".
3. Turn the Filter Control Valve 2 one rotation short of completely closed.
4. Turn the **Filter Pump Switch (41)** to ON.
5. Press the **Backwash Switch (48)** until the **Filter Pump (19)** turns on.
6. Set the Filter Control Valve 2 to adjust the rate on the **Flow Meter (20)** as listed:

WLP-8
10 GPM

WLP-20 / WLP-30
15 GPM

WLP-40
20 GPM

CAUTION!

Do not set flow above chart. If flow is set too high, water will begin pushing the filtering agent out with the backwash debris.

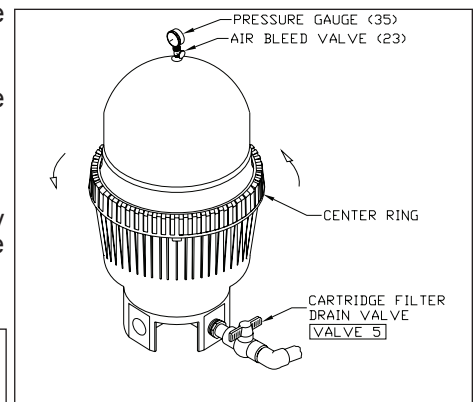
7. When the backwash water is the same color as the incoming water, the backwashing process is complete. (Approximately 5 minutes.)
8. Turn the **Filter Pump Switch (41)** to OFF.
9. Set the Multi-Media Filter Valve 3 to "Filter"
10. Set the Polishing Filter Valve 4 to "Backwash".
11. Turn the **Filter Pump Switch (41)** to ON. If the **Filter Pump (19)** does not turn on, press the **Backwash Switch (48)** until the **Filter Pump (19)** turns on.
12. Set the Filter Control Valve 2 as listed in #6, above. See "Caution" above.
13. Backwash approximately 5 minutes.
14. Turn the **Filter Pump Switch (41)** to OFF.
15. Set the Polishing Filter Valve 4 to "Filter"
16. Turn the **Filter Pump Switch (41)** to ON.
17. Clean **Cartridge Filter (22)** as explained below.

b. Cartridge Filter:

When the pressure difference between the **Cartridge Filter Pressure Gauge (35)** and the **Polishing Filter Pressure Gauge (36)** is more than 10 PSI, it is time to clean the **Cartridge Filter (22)**.

1. Turn the **Filter Pump Switch (41)** to OFF.
2. Open the Cartridge Filter Drain Valve 5 to allow water to be released from the **Cartridge Filter (22)**.
3. Open the **Air Bleed Valve (23)** to allow air to displace the outgoing water.
4. When water is drained from tank, unscrew the center ring.
5. There are knobs on the center ring which are designed to pry open the **Cartridge Filter (22)**. Place a center ring knob into the center groove and pry the lid open.
6. Remove the Reemay® Polyester Fiber filter(s).

CARTRIDGE FILTER



CAUTION!

Risk of Bodily Injury! Filters may weigh up to 70 pounds each. Use caution when lifting the filters.

7. Use a garden hose to spray clean the filter(s).
8. Rinse out the **Cartridge Filter (22)** tank.
9. If filter(s) are in good condition, reinsert them into the **Cartridge Filter (22)**. If excessive wear is noted, replace with new filter(s).
10. Lubricate the o-ring with petroleum jelly and replace around the outside of the **Cartridge Filter (22)** body.
11. Reinstall the tank lid.
12. Reinstall and tighten the center ring.
13. Close the Cartridge Filter Drain Valve 5 to stop water from flowing out the bottom of the **Cartridge Filter (22)** tank.
14. Turn the **Filter Pump Switch (41)** to ON.
15. Leave the **Air Bleed Valve (23)** open as the tank fills with water. Close completely when water begins to emerge from the **Air Bleed Valve (23)**.

MAINTENANCE

ACTIVE CARBON TEST:

To ensure the **Polishing Filter (24)** is working effectively, you should perform an active carbon test.

- I. **TEST PROCEDURE A:** For systems with pH & ORP Control, your test kit will include test strips.
 - A. Following the directions included with the test strip kit, test the water in the **Holding Tank (14)**.
 1. The test strip should show chlorine present in the system.
 2. If no chlorine is present, check the following:
 - a. The **ORP Adjustment Chemical (17D)** is empty. Replace.
 - b. The **ORP Pump (17C)** is turned off or malfunctioning. Ensure the **ORP Pump Switch (45)** is in the ON position. Contact your local distributor if additional maintenance is needed.
 - c. If you are not using chlorine as an ORP control, you must refer to TEST PROCEDURE B to ensure the carbon is still active.
 - B. With the **Filter Pump (19)** operating, use a test strip to test the incoming water to the **Product Tank (25)**.
 1. The test should not show chlorine present in the system.
 2. If chlorine is present, the carbon must be replaced. See REMOVING AND REFILLING MEDIA section pg. 26.
- II. **TEST PROCEDURE B:** For systems without pH & ORP Control, your test kit will include a Carbon removal scoop, 4 oz. empty container, 2 oz. empty container, 2 oz. bottle of chlorine, Chlorine test paper with color chart. Contact your local distributor if any parts are missing.
 - A. Turn off the **Filter Pump Switch (41)**.
 - B. Unscrew the six head bolts and remove the *Polishing Filter Valve 4*.
 - C. Remove the following items from the **Polishing Filter (24)** tank in the order given:
 1. Upper dispersing cup.
 2. Small section of PVC.
 3. Lower dispersing cup.
 - D. Fill the Carbon Removal Scoop with a sample of carbon from the **Polishing Filter (24)** tank.
 - E. Add 2 oz. of the carbon sample into the 4 oz. empty container.
 - F. Fill the 2 oz. empty container with water.
 - G. To the water, add one drop of chlorine.
 - H. Follow the directions on the bottle of test strips. Dip a chlorine test paper into the 2 oz. container. The chlorine reading should be at least 10 parts per million. If not, add another drop of chlorine.
 - I. Add the 2 oz. of chlorine/water solution to the carbon sample in the 4 oz. container.
 - J. Tightly cap the chlorine/carbon mixture and shake occasionally for 3 minutes.
 - K. Dip a new strip of chlorine test paper into the liquid part of the 4 oz. container. Do not dip the test paper into the solid carbon as this will produce incorrect results. Read the directions on the bottle of test strips.
 - L. Check the reading against the color chart.
 1. A reading of zero means the carbon is still active.
 - a. Reassemble the dispersing section of the **Polishing Filter (24)** and replace the *Polishing Filter Valve 4*.
 - b. Turn the **ORP Pump Switch (45)** on.
 2. A positive reading means the carbon is inactive and must be recharged or replaced. Refer to pg. 26.

MAINTENANCE

REMOVING & REFILLING MEDIA FROM THE MULTIMEDIA & POLISHING FILTER:

1. New media can be ordered from your local distributor.

Model	Description	Quantity	Weight (lbs.)
WLP-08	25" Media filter	1	
	Gravel #3	1 bag	100
	Garnet #12	1 bag	100
	Garnet #50	1 bag	100
	Filter Ag	1 bag	50
	19" Media filter	1	
	Activated carbon 12x40 mesh	1.5 bags	82.5
WLP-20	27" Media filter	1	
	Gravel #3	2 bags	200
	Garnet #12	1 bag	100
	Garnet #50	2 bag	200
	Filter Ag	1 bags	50
	22.5" Media filter	1	
	Activated carbon 12x40 mesh	2 bags	110
WLP-30	27" Media filter	1	
	Gravel #3	2.5 bags	200
	Garnet #12	1 bag	100
	Garnet #50	1 bag	200
	Filter Ag	1 bag	50
	22.5" Media filter	1	
	Activated carbon 12x40 mesh	2 bags	110
WLP-40	33" Media filter	1	
	Gravel #3	3 bags	300
	Garnet #12	2 bags	200
	Garnet #50	3 bags	300
	Filter Ag	2 bags	100
	25" Media filter	1	
	Activated carbon 12x40 mesh	3 bags	165

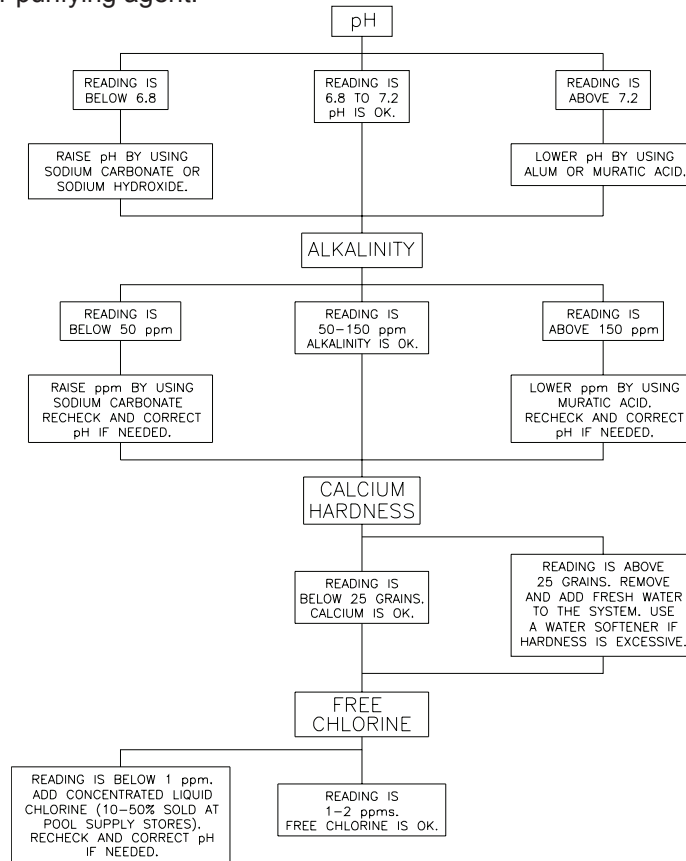
2. Be certain to wear proper attire such as goggles, gloves, coveralls, dust mask, etc. to protect eyes and skin.
3. Turn off the **Filter Pump Switch (41)**.
4. Remove the valve from the desired filter tank.
5. Remove the following items from the filter tank in the order given:
Upper dispersing cup, Small section of PVC, Lower dispersing cup.
6. Use a vacuum to remove the media from the filter.
7. Cover the PVC opening to prevent media from entering the laterals.
8. Ensure the lateral assembly remains centered and flush on the bottom of the tank and the layers are level when pouring media into the filter tank.
9. Reassemble the dispersing section of the filter tank and replace its corresponding valve.
10. Turn on the **Filter Pump Switch (41)**.
11. Dispose of used media according to EPA standards.

MAINTENANCE

WATER TESTING

Water chemical makeup should be tested on a weekly basis. With the **Sump Pump (4)** operating, use a test strip, test the incoming water to the **Holding Tank (14)**. (Follow the directions given with your test strips.) Use the flow chart below to check and correct the following:

1. pH: Acidity and alkalinity in the water. Low pH (acidic) will cause rusty looking water.
2. Alkalinity: Dissolvable salts in the water. Too much alkaline causes cloudiness and reduces filter life.
3. Calcium Hardness: Calcium in the water. Too much calcium creates scale buildup in coils of hot water pressure washers.
4. *Free Chlorine: Chlorine which is not combined with dirt, oils, etc. Controls odor, bacteria and algae formation.
*If using chlorine as a water purifying agent.



WLP-0015-112998-JJ

WINTERIZING:

If you must store your unit in an area where the temperature may fall below 32°F/0°C, you can protect your water recycling treatment system by draining all water from the system.

1. Follow the backwashing/cleaning procedures outlined on pages 23-24 for the **Multi-Media Filter (21)**, **Polishing Filter (24)** and **Cartridge Filter (22)**, but DO NOT refill the **Cartridge Filter (22)**.
2. Turn all switches on the **Control Panel (38)** to the OFF position and disconnect power to the **Control Panel (38)**.
3. Open the check valve near the **Sump Pit (3)** and drain the water transport line. Remove the **Sump Pump (4)** from the **Sump Pit (3)**.
4. Set the **Multi-Media Filter Valve 3** and the **Polishing Filter Valve 4** to "Winterize".
5. Remove drain plug from **Multi-Media Filter (21)** and **Polishing Filter (24)**.
6. Open the **Cartridge Filter Drain Valve 5** and open the **Air Bleed Valve (23)**. Break the unions on each side.
7. Remove the drain plug from the **Filter Pump (19)**.
8. Remove the drain plug from the **Transfer Pump (26)**.
9. Remove the drain plug from the solids collection area on the **Separator Tank (9)** and clean the tank.
10. Remove the remaining drain plugs from the **Oil/Water/Solids Separator (7)** and wipe down the **Oil/Water/Solids Separator (7)**.
11. Remove the **pH and ORP Sensor Probes (16A & 17A)** and place them in their original containers filled with deionized water. Store at room temperature.
12. Drain the pH and ORP lines and break the unions.
13. Store all chemicals at room temperature.

TROUBLESHOOTING

SYMPTOM	PROBABLE CAUSE	REMEDY
<i>ELECTRICAL</i>		
No power at Control Panel (38) .	Power failure to Control Panel (38) .	Check circuit breaker at power source or contact your local distributor.
Power Indicator Light (39) is OFF.	Blown fuses inside Control Panel (38) on step down transformer.	Check fuses, replace if necessary. If fuses are OK, contact your distributor.
<i>SUMP PUMP</i>		
Sump Pump (4) will not run.	Floats are not adjusted correctly in the Sump Pit (3) .	Readjust.
	Not enough water in the Sump Pit (3) .	Add water to the Sump Pit (3) .
	Float 1 is defective.	Replace.
	Level Limit Switch (49) in the Separator Tank (9) has flipped up.	Push Level Limit Switch (49) down, or remove excess water in the Separator Tank (9) .
	Circuit overload/breaker has tripped.	Reset breaker or replace fuse at power source.
	Motor overload.	Allow motor to cool. Motor will automatically restart when cool.
	Motor is defective.	Replace motor.
Sump Pump (4) motor starts and stops frequently.	This is a common occurrence on initial start-up while pits are filling.	Allow pits to fill.
	Excessive water flow to reclaim unit.	Turn valve clockwise to reduce flow.
	Sump Pump (4) impeller is clogged.	Disconnect power and unclog impeller.
	Motor overload.	Allow motor to cool. Motor will automatically restart when cool.
	Sump Pit (3) is not large enough.	Expand size of pit.
Sump Pump (4) runs, but there is little or no water discharge.	Strainer basket in Sump Pump (4) is clogged.	Clean, repair or replace.
	Water level is below pump inlet.	Ensure Float 1 is not caught in plumbing.
	There is an air lock in the Sump Pump (4) .	Manually fill the inlet pipe with water. Turn the Sump Pump (4) on and off several times.
	Low voltage.	Ensure wire size is capable of handling the rated amperage of the unit. If wire size is correct, contact your distributor.
	Clogged impeller or worn pump parts.	Contact your distributor.
Sump Pump (4) will not turn off.	Defective switch inside Float 1.	Replace.
	Pump is air locked.	Cycle pump in one minute increments several times to clear air from pump. If system includes a check valve, a 3/16" hole should be drilled in the discharge pipe approximately 2" above the discharge connections.

TROUBLESHOOTING

SYMPTOM	PROBABLE CAUSE	REMEDY
SEPARATOR TANK		
Water will not flow into the Separator Tank (9) .	Sump Pump (4) is not turned on.	Move Sump Pump Switch (40) to "ON".
	Circuit breaker has tripped or is "OFF".	Reset or turn breaker "ON".
	Level Limit Switch (49) in coalescing tank is malfunctioning.	Check On/Off with voltmeter, repair or replace.
	Vertical coalescing in the Ozone Contact Tank (8) is clogged.	Remove and clean with a water hose.
	Ozone Injector (6) is plugged.	Remove Ozone Injector (6) , clean.
	Dirt is lodged in the pit check valve.	Clean.
	Sump Pump (4) impeller is clogged.	Disconnect power and clean.
Lines or valves contain frozen water.	Allow to thaw. Inject with warm water if necessary.	
FILTER PUMP		
Filter Pump (19) will not run.	Filter Pump Switch (41) is off.	Turn switch on.
	Circuit overload/breaker has tripped.	Reset breaker or replace fuse.
	Motor overload.	Allow motor to cool. Motor will automatically restart when cool.
Filter Pump (19) runs but there is no water discharge OR Filter Pump cycles excessively.	Filter Pump Switch (41) is malfunctioning.	Replace switch.
	Pump is not primed.	Manually fill the inlet pipe with water. Turn the Filter Pump (19) on and off several times.
	Pump sucking air.	Eliminate leaks and tighten all connections on intake line.
	Low water in Holding Tank (14) .	Increase flow by opening <i>Water Inlet Flow Control Valve 1</i> .
	Rain Water Overflow (30) is discharging too much water.	Reduce flow by adjusting solenoid on the Rain Water Overflow (30) .
	Check valve is leaking or stuck in closed position.	Clean or replace as necessary.
	Filters are dirty.	Backwash filters. (See pg. 23-24.)
	Lines or valves contain frozen water.	Allow to thaw. Inject with warm water if necessary. Ensure the Sump Pit (3) remains above freezing.
	Pump impeller is obstructed.	Contact your local distributor.
	Pump motor is operating below maximum RPM.	Contact your local distributor.
Filter Pump (19) is hot or turns off.	Multi-Media Filter (21) is dirty.	Backwash.
	Low voltage.	Ensure wire size is capable of handling the rated amperage of the unit. If wire size is correct, contact your local distributor.
	Motor overload.	Allow motor to cool. Motor will automatically restart when cool.

TROUBLESHOOTING

SYMPTOM	PROBABLE CAUSE	REMEDY
FILTERS		
Indicator Light (47) remains on after backwashing.	Debris is packed too tightly.	Increase backwash flow to 5 GPM above the maximum listed on pg. 24.
TRANSFER PUMP		
Transfer Pump (26) runs but there is low water discharge.	Water is being used elsewhere.	Reduce flow to other source or contact your local distributor.
	Pump is not primed.	Manually fill the inlet pipe with water Turn the Transfer Pump (26) on and off several times.
	Timer kicked in. Water is recycling	Do not run pressure washers while water is in timed recycle mode.
	Rain Water Overflow (30) is discharging back to pit.	Do not run pressure washers while water is discharging.
	Plumbing is obstructed or too small.	Remove obstruction or use larger plumbing.
	Scale buildup in metal piping.	Replace with plastic plumbing.
	Transfer Pump (26) cycles excessively.	Solenoid valve(s) is open or stuck open.
Pump sucking air.		Eliminate leaks and tighten all connections on intake line.
Bladder failure in Pressure Tank (27) .		Replace Pressure Tank (27) .
Pressure switch malfunction.		Adjust pressure settings.
Too low of pressure in the Pressure Tank (27) .		Increase pressure.
Transfer Pump (26) does not turn off.	Pressure switch line is obstructed.	Disconnect line and remove obstruction. Replace.
	Pressure switch is out of alignment.	Realign or replace.
	Pressure switch contacts are frozen.	Replace if necessary.
	Impeller is obstructed.	Contact your local distributor.
SHAFT SEALS		
Water is leaking at pumps.	Damaged stationary shaft seal.	Seal ran dry. Ensure seal chamber is filled with liquid.
Short seal life.	Unexpected temperature and chemical usage.	Replace.

TROUBLESHOOTING

SYMPTOM	PROBABLE CAUSE	REMEDY
SOLENOIDS		
Solenoid valve won't turn on.	Low or no water pressure.	Turn off water, switch solenoids between valves. Turn on water. If problem is corrected, replace faulty solenoid.
	No electrical contact to solenoid.	Contact your local distributor.
Solenoid valve leaks when turned off.	Solenoid is obstructed.	Turn off water, remove and clean solenoid.
	Damaged solenoid.	Replace.
	Solenoid o-ring is misaligned or damaged.	Realign or replace.
	Diaphragm seat is dirty.	Clean or replace.
	Diaphragm is damaged.	Replace.
ODOR		
Excessive odor in water system points.	Not enough chemicals in the system to maintain water balance.	Increase the pH and ORP set (See pg. 22)
	Water remains dormant in the system too long causing bacteria buildup.	Increase timer settings to recycle water.
CHEMICALS		
Excessive chemical usage.	pH and ORP Meters (16B & 17B) are calibrated incorrectly or faulty probes.	Recalibrate meters or change probes.
Low chemical usage (with possible pump odor.)	Chemical pumps are not working.	Replace chemical hose inside Recalibrate pH and ORP Meters (16B & 17B) .
WATER FLOW		
Air shoots from Water Outlet.	This is a common occurrence while pump is priming. Transfer Pump (26) is sucking air at suction inlet.	Air will stop shooting from the water outlet when pump is primed. Eliminate leaks or tighten connection.
Water will not turn off.	Solenoid failure.	Repair or replace.

NOTES

NOTES

STATEMENT OF WARRANTY

The manufacturer warrants all parts (except those referred to below) of your new WLP Water recycling Treatment system to be free from defects in materials and workmanship for One (1) Year from the date of original purchase.

Defective parts not subject to normal wear and tear will be repaired or replaced at manufacturer's option during the warranty period. In any event, reimbursement is limited to the purchase price paid.

EXCLUSIONS

1. The motor is covered under separate warranty by its respective manufacturer and is subject to the terms set forth therein.
2. Normal wear parts:

Seals	Filters	Gaskets
O-rings	Packings	Pistons
Valve Assembly	Brushes	Filtering Media
Sensors		
3. Parts damaged due to:
 - normal wear, misapplication, modifications/alterations, abuse,
 - operation at other than recommended speeds, pressures or temperature,
 - the use of caustic liquids,
 - chloride corrosion or chemical deterioration,
 - fluctuations in electrical or water supply,
 - operating unit in an abrasive, corrosive or freezing environment.
4. Parts damaged by failure to follow recommended:
 - installation, operating and maintenance procedures.
5. This warranty does not cover the cost of:
 - normal maintenance or adjustments,
 - labor charges,
 - transportation charges to Service Center,
 - freight damage.
6. The use of other than genuine manufacturer parts will void warranty. Parts returned, prepaid to the manufacturer's factory or to an Authorized Service Center will be inspected and replaced free of charge if found to be defective and subject to warranty. There are no warranties which extend beyond the description of the face hereof. Under no circumstances shall the manufacturer bear any responsibility for loss of use of the unit, loss of time or rental, inconvenience, commercial loss or consequential damages.

