

OPERATOR'S MANUAL FOR  
***PORTABLE***  
***ELECTRIC DRIVEN/BELT DRIVE***  
***LP GAS HEATED***  
HOT WATER PRESSURE WASHER



**WARNING**

30LB. L.P.-GAS (VAPOR ONLY) CYLINDER OR LARGER REQUIRED FOR PROPER OPERATION.  
(See page 15-16)

ALWAYS TURN OFF VALVE ON L.P.-GAS CYLINDER WHEN UNIT IS NOT IN USE. (See page 23)  
FAILURE TO FOLLOW THE ABOVE INSTRUCTIONS COULD RESULT IN SERIOUS INJURY OR  
DEATH.



**CAUTION**


**RISK OF INJURY! READ MANUAL BEFORE OPERATING!**

This manual is an important part of the pressure washer and must remain with the  
unit when you sell it!


# TABLE OF CONTENTS

<b>INTRODUCTION</b> .....	<b>3</b>
<b>IMPORTANT SAFETY INSTRUCTIONS</b> .....	<b>4-9</b>
RISK OF EXPLOSION OR FIRE .....	4
RISK OF ASPHYXIATION .....	5
RISK OF ELECTROCUTION OR ELECTRICAL SHOCK .....	6
RISK OF INJECTION OR SEVERE CUTTING INJURY .....	7
RISK OF BURNS .....	8
RISK OF BURSTING .....	8
RISK FROM MOVING PARTS .....	8
RISK OF BODILY INJURY .....	9
<b>FEATURES</b> .....	<b>10-11</b>
<b>INSTALLATION INSTRUCTIONS</b> .....	<b>12-16</b>
SET-UP .....	12
ELECTRICAL .....	13
WATER SUPPLY .....	14
HIGH PRESSURE CONNECTION .....	14
INSPECTING AND VERIFYING CONDITIONS .....	15
PRE-OPERATION CHECKLIST .....	16
<b>PREPARATION INSTRUCTIONS</b> .....	<b>17-19</b>
ATTIRE .....	17
PRE-START .....	17
UNLOADER .....	17
QUICK-CONNECT NOZZLES .....	18
NOZZLE CONNECTION .....	18
PRE-START SAFETY INSPECTION .....	19
<b>OPERATING INSTRUCTIONS</b> .....	<b>21-23</b>
FLUSHING THE SYSTEM .....	21
COLD WATER OPERATION .....	21
LIGHTING PILOT VALVE .....	21
HOT WATER OPERATION .....	22
STEAM OPERATION .....	22
CLEANING WITH DETERGENTS .....	23
SHUTDOWN .....	23
<b>MAINTENANCE INSTRUCTIONS</b> .....	<b>24-25</b>
PREVENTIVE MAINTENANCE .....	24
WINTERIZING .....	25
<b>MAINTENANCE CHARTS</b> .....	<b>26</b>
<b>TROUBLESHOOTING</b> .....	<b>27-28</b>
<b>STATEMENT OF WARRANTY</b> .....	<b>29</b>

## **WARNING**

 **WARNING:** This product can expose you to chemicals including Lead, which is known to the State of California to cause cancer and birth defects or other reproductive harm. For more information go to [www.P65Warnings.ca.gov](http://www.P65Warnings.ca.gov)

## **WARNING**

 **WARNING:** This product can expose you to chemicals including carbon monoxide, which is known to the State of California to cause birth defects or other reproductive harm. For more information go to [www.P65Warnings.ca.gov](http://www.P65Warnings.ca.gov)

### **NATIONAL CODES:**

**ANSI Z223.1 (NFPA NO. 54) NATIONAL FUEL GAS CODE.**

**NFPA NO. 70 (NEC) NATIONAL ELECTRICAL CODE.**

**CSA B149.1 GAS INSTALLATION CODE.**

**CSA C22.1 CANADIAN ELECTRICAL CODE PART 1.**

## INTRODUCTION

Congratulations on the purchase of your new pressure washer! You can be assured your pressure washer was constructed and designed with quality and performance in mind. Each component has been rigorously tested to ensure the highest level of acceptance.

This operator's manual was compiled for your benefit. By reading and following the simple safety, installation, operation, maintenance and troubleshooting steps described in this manual, you will receive years of trouble free operation from your new pressure washer. The contents of this manual are based on the latest product information available at the time of publication. The manufacturer reserves the right to make changes in price, color, materials, equipment, specifications or models at any time without notice.

### ! IMPORTANT !

These paragraphs are surrounded by a "SAFETY ALERT BOX." This box is used to designate and emphasize Safety Warnings that must be followed when operating this pressure washer. Accompanying the Safety Warnings are "signal words" which designate the degree or level of hazard seriousness. The "signal words" used in this manual are as follows:

**DANGER:** Indicates an imminently hazardous situation which, if not avoided, **WILL** result in death or serious injury.

**WARNING:** Indicates a potentially hazardous situation which, if not avoided, **COULD** result in death or serious injury.

**CAUTION:** Indicates a potentially hazardous situation which, if not avoided **MAY** result in minor or moderate injury.



The symbols set to the left of this paragraph are "Safety Alert Symbols." These symbols are used to call attention to items or procedures that could be dangerous to you or other persons using this equipment.

**ALWAYS PROVIDE A COPY OF THIS MANUAL TO ANYONE USING THIS EQUIPMENT. READ ALL INSTRUCTIONS BEFORE OPERATING THIS PRESSURE WASHER AND ESPECIALLY POINT OUT THE "SAFETY WARNINGS" TO PREVENT THE POSSIBILITY OF PERSONAL INJURY TO THE OPERATOR.**

Once the unit has been removed from the box, immediately write in the serial number of your unit in the space provided below.

**SERIAL NUMBER** \_\_\_\_\_

Inspect for signs of obvious or concealed freight damage. If damage does exist, file a claim with the transportation company immediately. Be sure that all damaged parts are replaced and that the mechanical and electrical problems are corrected prior to operation of the unit. If you require service, contact your customer service.

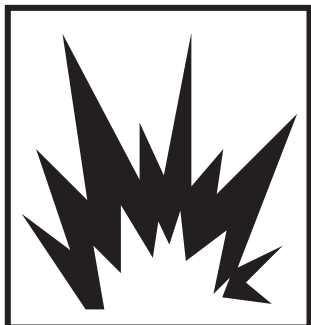
Please have the following information available for all service calls:

1. Model Number
2. Serial Number
3. Date and Place of Purchase

## IMPORTANT SAFETY INSTRUCTIONS

**WARNING:** When using this product, basic precautions should always be observed, including the following:  
**READ ALL THE INSTRUCTIONS BEFORE USING THE PRODUCT**

**WARNING: RISK OF EXPLOSION OR FIRE**



1. Installation of this unit including all gas piping must comply with all local, state and national codes. (Standards to be followed include the National Fuel Gas Code ANSI Z223.1/NFPA No. 54. In Canada; Refer to the CSA B149.1 Gas Installation Code).
2. Use appropriate fuel (L.P. - Gas Vapor) for the machine you are using.
3. Do not connect gas lines to the pressure washer before testing gas piping pressure or there may be damage to the gas valve.
4. Do not adjust gas pressure above recommended levels. Excessive pressure may cause damage to the valve.
5. Liquid propane models are designed to run on vapor propane fuel. **Do not use liquid fuel.**
6. Do not replace or refill L.P.-Gas tank while unit is running.
7. If you smell gas, extinguish any open flame and test all joints with a soap solution. If the odor persists, turn off gas supply and call for service.
8. L.P.-Gas is heavier than air and will gravitate to the floor. Always provide adequate floor space and ventilation with L.P.-Gas systems and sniff floor area for gas before operating. Do not operate unit if smell exists.
9. Never expose a spark or flame where there may be unburned gas present.
10. In the event of pilot outage, wait at least five minutes to clear out any gas before relighting.
11. Use only your hand to push in or turn the gas control knob. Never use a tool. If the knob will not push in or turn by hand, don't try to repair it; call a qualified service technician.
12. Never leave operating unit unattended.
13. Never operate unit with L.P.-Gas tank on shelf of the unit. Move the L.P.-Gas tank as far away from the unit as the hose allows.
14. When servicing this machine, be especially careful to properly shut off gas supply.
15. Operate or install the pressure washer where open flame or torch is permitted.
16. Always operate pressure washer in a well ventilated area free of flammable vapors, combustible materials including dust or gases.
17. Do not allow lint or dust to collect in burner area.
18. Do not use this pressure washer to spray flammable liquids! Flammable liquids can create fumes which can ignite.
19. This pressure washer has multiple safety devices which should never be altered, modified, removed or made inoperative. If a device fails, replace immediately with only genuine manufacturer replacement part.

If you don't follow these instructions exactly, a fire or explosion may result causing property damage, personal injury or loss of life.

Serious injury or death may occur from gas leaks.

Serious injury or death may occur from normal sparks in the multiple ignition sources.

Serious injury or death may occur if system safety's are not properly maintained.

## IMPORTANT SAFETY INSTRUCTIONS

**WARNING:** When using this product, basic precautions should always be observed, including the following:  
**READ ALL THE INSTRUCTIONS BEFORE USING THE PRODUCT**

### WARNING: RISK OF ASPHYXIATION



1. If this unit is installed, the unit including the ventilation of the combustion gases must comply with all local, state and national codes. (Standards to be followed include the National Fuel Gas Code ANSI Z223.1/ NFPA No. 54. In Canada; Refer to the CSA B149.1 Gas Installation Code).
2. Always make certain there is adequate ventilation (fresh outside air) for breathing and combustion. This will prevent the buildup of dangerous carbon monoxide gases. Beware of poorly ventilated areas, or areas with exhaust fans which can cause poor air exchange.
3. If you smell gas, shut off the gas supply to the appliance, extinguish any open flame, and test all joints with a soap solution. If the odor persists, call you gas supplier immediately.
4. Follow all safety instructions provided with the materials you are spraying. Use of a respirator may be required when working with some materials. Do not use this pressure washer to dispense hazardous materials.

Serious injury or death may occur from inhaling burner exhaust or dangerous vapors.

## IMPORTANT SAFETY INSTRUCTIONS

**WARNING:** When using this product, basic precautions should always be observed, including the following:  
**READ ALL THE INSTRUCTIONS BEFORE USING THE PRODUCT**

**WARNING: RISK OF ELECTROCUTION OR ELECTRIC SHOCK**

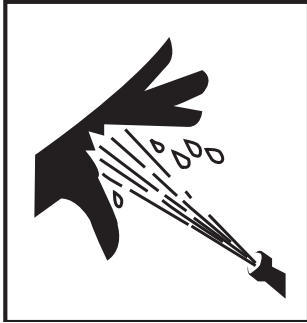


- |  |   |
|--|---|
| <ol style="list-style-type: none"> <li>1. This product must be grounded. Make sure the pressure washer is equipped with a GFCI built into the power supply cord. If this is not available, the pressure washer must be plugged into a receptacle that is protected by a GFCI. Disconnect when not in use.</li> <li>2. This product is provided with a Ground Fault Circuit Interrupter built into the power cord plug. If replacement parts of the plug or cord is needed, use only identical replacement parts.</li> <li>3. <b>GROUNDING:</b> See section "Installation; Electrical". This unit must be connected to a grounded, permanent wiring system; or an equipment-grounding conductor must be run with the circuit conductors and connected to the equipment-grounding lead on the unit.</li> <li>4. Make sure the pressure washer is connected to a properly grounded source which provides correct voltage and adequate fuse protection. Disconnect from power source when not in use or when making repairs.</li> <li>5. Never operate pressure washer with electrical enclosures open, removed or damaged.</li> <li>6. Do not touch machine while standing in water or with wet hands. Never let the electrical supply or any connections lay in the water. Do not touch plug with wet hands.</li> <li>7. <b>DO NOT</b> direct spray on or into electrical installations of any kind! This includes electrical outlets, light bulbs, fuse boxes, transformers, the unit itself, etc.</li> <li>8. <b>DO NOT</b> allow metal components of the pressure washer to come in contact with live electrical components.</li> <li>9. Any electrical wiring or repairs performed on this pressure washer should be done by authorized service personnel in accordance with local and national electrical codes.</li> <li>10. Before opening any electrical enclosure, always shut off the pressure washer, relieve pressure and disconnect the pressure washer from the power source. Allow pressure washer to cool down. Never assume the pressure washer is safe to work on just because it is not operating. It could restart at any time!</li> </ol> | <p>Serious injury or death could result from improper installation.</p> <p>Serious injury or death could occur if the pressure washer is not properly grounded. Your pressure washer is powered by electricity and may cause electric shock or electrocution if not used properly. Electrical shock may occur if pressure washer is not operated properly.</p> <p>Serious injury or death may occur from contact with electricity.</p> <p>Serious injury or death may occur if electrical repairs are attempted by unqualified persons.</p> |
|--|---|

## IMPORTANT SAFETY INSTRUCTIONS

**WARNING:** When using this product, basic precautions should always be observed, including the following:  
**READ ALL THE INSTRUCTIONS BEFORE USING THE PRODUCT**

**WARNING: RISK OF  
INJECTION OR  
SEVERE CUTTING INJURY**






1. Keep clear of nozzle and spray! Never put your hand, fingers or body directly over the spray nozzle.
2. Do not direct discharge stream at persons.
3. This equipment is to be used only by trained operators.
4. Always keep operating area clear of all persons.
5. To reduce the risk of injury, close supervision is necessary when using this equipment near children. **DO NOT** allow children to operate this unit.
6. **SEEK EMERGENCY MEDICAL CARE** if the spray appears to have penetrated the skin! **DO NOT TREAT AS A SIMPLE CUT!** Be prepared to tell a physician exactly what kind of cleaning agents you were using by reading the Material Safety Data Sheet (MSDS) provided with your detergent.
7. High pressure hoses should be inspected daily for signs of wear. If evidence of failure exists, promptly replace all suspect hoses to prevent the possibility of injury from the high pressure spray. If a hose or fitting is leaking, **NEVER PLACE YOUR HAND DIRECTLY ON THE LEAK.**
8. Before using pressure washer, or when quick connecting high pressure hoses and spray nozzles, be certain the "collar" on the female quick connect is locked securely to prevent accidental discharge and that all quick coupler fittings are secure.
9. **NEVER** operate the gun with the trigger wired in the open position. To prevent accidental discharge, the trigger gun should be securely locked when not in use.
10. Before removing the spray nozzle or servicing the unit, **ALWAYS** shut off the unit and trigger the gun to release trapped pressure. (Even after you shut off the unit, there is high pressure water left in the pump, hose and gun until you release it by triggering the gun.)

Serious injury or death could occur from high pressure spray penetrating the skin.

## IMPORTANT SAFETY INSTRUCTIONS

**WARNING:** When using this product, basic precautions should always be observed, including the following:  
**READ ALL THE INSTRUCTIONS BEFORE USING THE PRODUCT**

<p><b>WARNING: RISK OF BURNS</b></p> 	<ol style="list-style-type: none"> <li>1. Never allow any part of your body to contact the heat exchanger or the vent piping.</li> </ol>	<p>Serious injury may occur from touching the heat exchanger or vent piping. These areas can remain hot for some time after the pressure washer is shutdown.</p>
<p><b>WARNING: RISK OF BURSTING</b></p> 	<ol style="list-style-type: none"> <li>1. Never make adjustments to the factory set pressures.</li> <li>2. If burner fails to shut off, turn off the gas supply and contact your serviceman.</li> <li>3. Never exceed manufacturers maximum allowable pressure rating of attachments.</li> <li>4. Do not allow any hoses to make contact with the heat exchanger to prevent the possibility of bursting. Avoid dragging the hoses over abrasive surfaces such as cement.</li> <li>5. Use only manufacturer recommended repair parts for your pressure washer.</li> <li>6. In freezing temperatures, the unit must always be warm enough to ensure there is no ice formation in the unit. Do not start the pressure washer without first allowing the unit to thaw.</li> </ol>	<p>Serious injury may occur from a pressure washer malfunction or exploding accessories if incorrect system components, attachments or accessories are used.</p> <p>Serious injury or death may occur if attempting to start the pressure washer when the unit is frozen.</p>
<p><b>WARNING: RISK FROM MOVING PARTS</b></p> 	<ol style="list-style-type: none"> <li>1. Do not operate the unit without all protective covers in place or make any adjustments without shutting off the pressure washer, relieving pressure and disconnecting the pressure washer from the power source. Allow pressure washer to cool down. Never assume the pressure washer is safe to work on just because it is not operating. It could restart at any time!</li> </ol>	<p>Serious injury may occur to the operator from moving parts on the pressure washer.</p>



## IMPORTANT SAFETY INSTRUCTIONS

**WARNING:** When using this product, basic precautions should always be observed, including the following:  
**READ ALL THE INSTRUCTIONS BEFORE USING THE PRODUCT**

**WARNING: RISK OF BODILY INJURY**



1. SEEK EMERGENCY MEDICAL CARE if the spray appears to have penetrated the skin! DO NOT TREAT AS A SIMPLE CUT! Be prepared to tell a physician exactly what kind of cleaning agents you were using by reading the Material Safety Data Sheet (MSDS) provided with your detergent.
2. Never use any solvents or highly corrosive detergents or acid type cleaners with this pressure washer.
3. Protective equipment such as rubber suits, gloves and respirators are advisable, especially when using cleaning detergents.
4. Keep all detergents out of the reach of children!
5. ALWAYS wear protective goggles when operating the unit to shield the eyes from flying debris and detergents.
6. DO NOT direct spray toward fragile materials such as glass for shattering could occur.
7. Stay alert-watch what you are doing. Do not operate the unit when fatigued or under the influence of alcohol or drugs.
8. NEVER squeeze the trigger unless securely braced.
9. DO NOT overreach or stand on unstable support. Keep good footing and balance at all times.
10. Wet surfaces can be slippery, wear protective foot gear.
11. NEVER trigger the gun while on a ladder or roof.
12. ALWAYS hold on firmly to the gun/lance assembly when starting and operating the unit. Failure to do so can cause the lance to fall and whip dangerously.
13. Know how to stop the pressure washer and bleed pressures quickly. Be thoroughly familiar with controls.
14. DO NOT leave pressurized unit unattended. Shut off the pressure washer and release trapped pressure before leaving.
15. DO NOT operate the unit if you see any oil or water leaks from the machine. DO NOT resume operation until the unit has been inspected and repaired by a qualified serviceman.
16. Never make adjustments on the machine while in operation.
17. Before servicing the unit: shut off the pressure washer, relieve pressure and disconnect the pressure washer from the power source. Allow pressure washer to cool down. Never assume the pressure washer is safe to work on just because it is not operating. It could restart at any time!
18. Follow the maintenance instructions specified in the manual.

Serious injury or death may occur from detergents contacting or penetrating the skin.

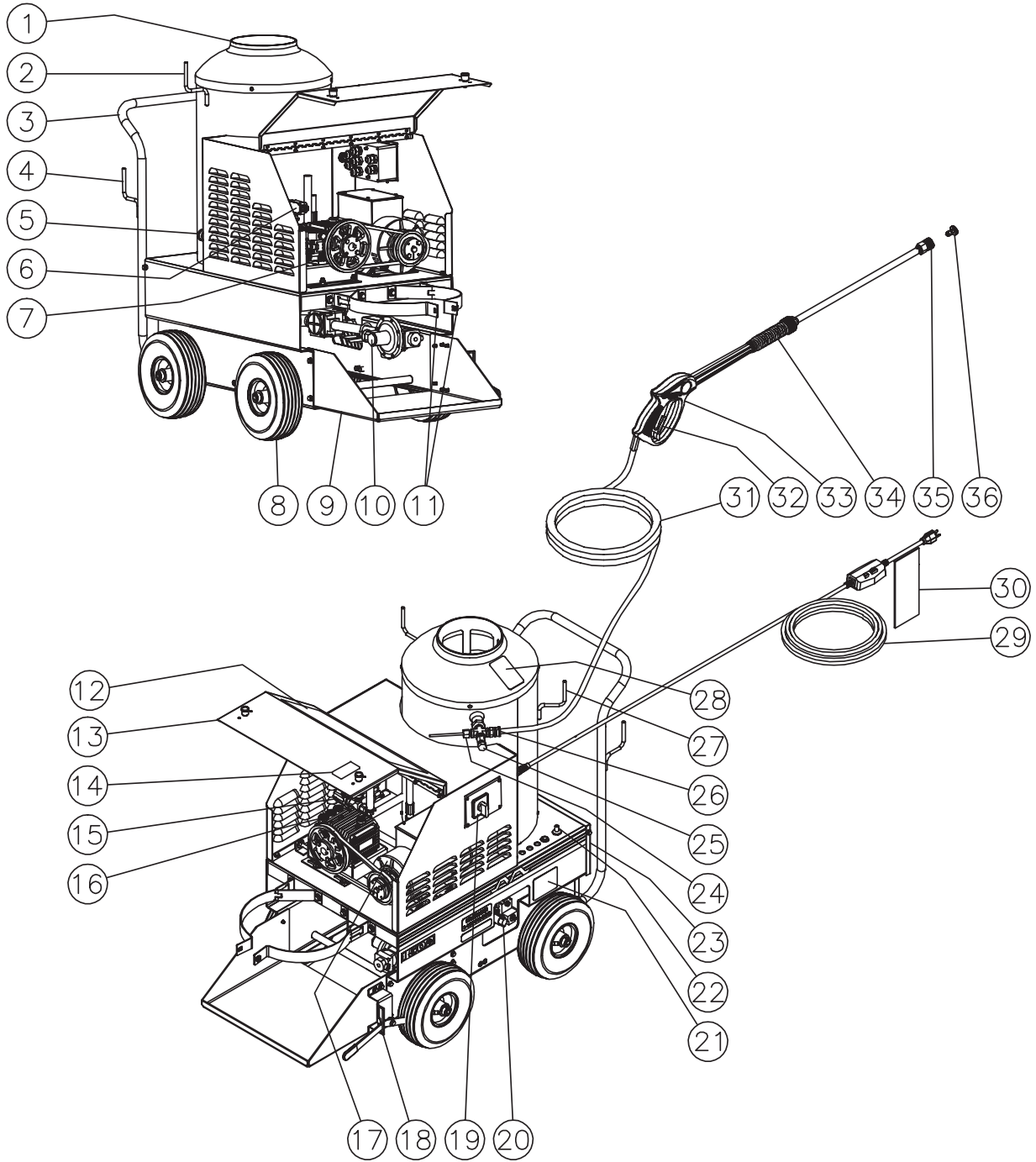
Serious injury can occur from loose debris being propelled at a high speed from the spray gun.

Injury may occur if the operator loses his balance caused by the thrust of water traveling through the spray nozzle.

Injury may occur from the pressure washer.



# SERIES FEATURES




GH LP FIRED FEATURES-100303-BAR

## FEATURES LISTING


1. Heat Exchanger Exhaust
2. Wand Holder
3. Push / Pull Handle
4. Hose Hanger
5. Water Inlet / Backflow Preventor
6. Pressure Switch
7. Thermal Relief Valve
8. Wheels
9. L.P.-Gas Cylinder Platform
10. L.P.-Gas Regulator
11. L.P.-Gas Cylinder Strap
12. Decal- Warning/Caution/Operation
13. Panel
14. Decal- Warning: Risk of Injury
15. Unloader
16. High Pressure Pump
17. Motor
18. Brake
19. Switch- OFF/PUMP/BURNER
20. L.P.-Gas Valve
21. Decal- Data Plate
22. Manual Ignitor
23. Brass Firing Valve
24. High Limit Sensor
25. Pressure Relief Valve
26. Water Outlet
27. Electric Cord Hanger
28. Decal- Warning: Hot Surface
29. Power Cord w/GFCI
30. Tag- Warning: Risk of Electrocution
31. High Pressure Hose
32. Trigger Safety Lock
33. Trigger Gun
34. Insulated Lance
35. Lance
36. High Pressure Nozzle

## INSTALLATION INSTRUCTIONS

 **DANGER**

**RISK OF EXPLOSION OR FIRE!**  
**DO NOT PLACE UNIT IN AN AREA WHERE FLAMMABLE GAS VAPORS MAY BE PRESENT. A SPARK COULD CAUSE AN EXPLOSION OR FIRE!**

**RISK OF UNIT BURSTING!**  
**DO NOT LOCATE THE UNIT IN FREEZING ENVIRONMENTS!**

 **WARNING**

**RISK OF ASPHYXIATION!**  
**USE THIS PRODUCT ONLY IN WELL VENTILATED AREAS! THE EXHAUST CONTAINS CARBON MONOXIDE, A POISONOUS, ODORLESS AND INVISIBLE GAS. BREATHING THIS GAS CAN CAUSE SERIOUS INJURY, ILLNESS & POSSIBLE DEATH.**

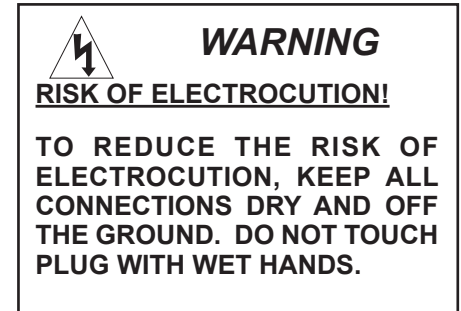
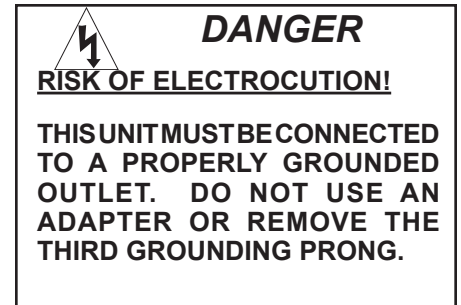
### SET-UP:

1. This unit should only be placed on a level surface to ensure proper lubrication of the water pump during operation. NEVER spray water directly on the unit.
2. This unit must be placed in an area away from flammable or combustible material. These types of materials must be kept at least 20 feet from the unit.
3. Do not use this unit in an area where any of the following conditions are present:
  - a. Flammable gas vapors
  - b. Insufficient ventilation
  - c. Evidence of oil or fuel leaks
4. Do not allow this unit to be exposed to rain, snow, or freezing temperatures. If any part of the unit becomes frozen, excessive pressure may build up in the unit which could cause it to burst resulting in possible serious injury to the operator or bystanders.
5. Pump oil level should be checked before each use. Make certain the oil is on the full mark on the dipstick. If the level is low, fill with SAE20 or 30 non-detergent pump oil.

## INSTALLATION INSTRUCTIONS

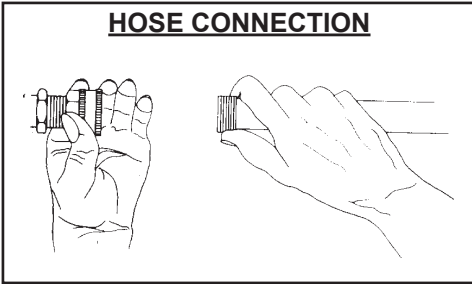
### ELECTRICAL:

1. Make certain the switch is in the "OFF" position.
2. Ensure electrical supply is identical to the specifications listed on the pressure washer data plate.
3. **GROUNDING INSTRUCTIONS:** This product must be grounded. If it should malfunction or breakdown, grounding provides a path of least resistance for electric current to reduce the risk of electric shock. This product is equipped with a cord having an equipment-grounding conductor. The plug must be plugged into an appropriate outlet that is properly installed and grounded in accordance with all local codes and ordinances.
4. **DANGER:** Improper connection of the equipment-grounding conductor can result in a risk of electrocution. Check with a qualified electrician or service personnel if you are in doubt as to whether the outlet is properly grounded. Do not modify the plug - if it will not fit the outlet, have a proper outlet installed by a qualified electrician. Do not use any type of adaptor with this product.
5. **GROUND FAULT CIRCUIT INTERRUPTER PROTECTION:** This pressure washer is provided with a Ground Fault Circuit Interrupter (GFCI) built into the plug of the power supply cord, test the GFCI each time it is plugged into an outlet according to instructions on the GFCI. **DO NOT** use the pressure washer if the test fails! The GFCI provides additional protection from the risk of electric shock. Should replacement of the plug or cord become necessary, use only identical replacement parts that include GFCI protection.
6. **EXTENSION CORDS:** *The manufacturer DOES NOT RECOMMEND THE USE OF EXTENSION CORDS!* If use of an extension cord is unavoidable, it must be plugged into a GFCI found in circuit boxes or protected receptacles. When using an extension cord, consult a qualified electrician to determine the proper wire gauge needed for the length of the extension cord. Use only 3-wire extension cords that have 3-prong grounding-type plugs and 3-pole cord connectors that accept the plug from the product. Use only extension cords that are intended for outdoor use. These extension cords are identified by a marking "Acceptable for use with outdoor appliances; store indoors while not in use." Use only extension cords having an electrical rating not less than the rating of the product. Do not use damaged extension cords. Examine extension cord before using and replace if damaged. Do not abuse extension cord and do not yank on any cord to disconnect. Keep cord away from heat and sharp edges. Always connect and disconnect the extension cord from the receptacle before connecting and disconnecting the product from the extension cord.
7. Ensure the area between the pressure washer cord and outlet is kept dry.
8. Insert the male plug into a grounded AC outlet. **DO NOT use an adapter OR remove the grounding plug!!**



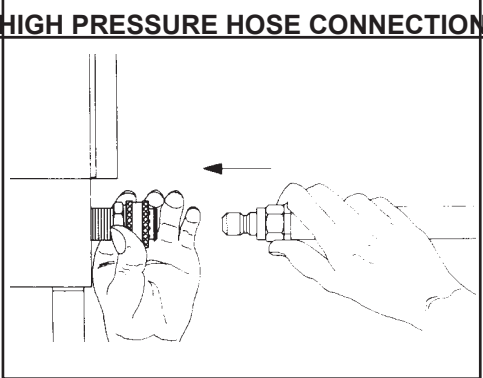
## INSTALLATION INSTRUCTIONS

### WATER SUPPLY:



1. Select a water supply hose which is a quality grade of garden hose measuring at least 3/4" ID and no longer than 50'.
2. Connect one end of the water supply hose to the water inlet of the unit. Connect the other end of the hose to your pressurized water supply.

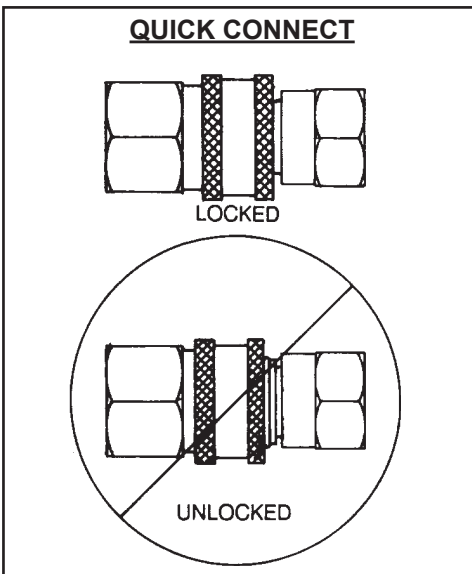
**NOTE:** *If there is a high mineral content in your water, it is recommended that a water softener be used to prevent the possibility of excessive scale buildup inside the heat exchanger coil.*



3. Be certain all connections are securely tightened.
  - a. Water supply hose to the Water Inlet on the unit.
  - b. Water supply hose to the Pressurized Water Supply.
4. Follow the incoming water requirements listed below:
  - a. Water pressure must be between a minimum of 20 pounds per square inch (PSI) and a maximum of 65 PSI.
  - b. Incoming GPM must be approximately one gallon more than the outgoing GPM stated on the pressure washer I.D. Plate. (You can check GPM by timing how long it takes to fill a 5 gallon container.)
  - c. Incoming water temperature must not exceed 125°F. Excessive pump damage may result if the water temperature exceeds this acceptable level.

**NOTE:** *If the water supply is inadequate or the hose is kinked, the unit will run rough and the burner will not fire.*

5. Never allow the unit to operate without the incoming water line attached and the water supply completely turned on.



### HIGH PRESSURE CONNECTION:

Connect the high pressure discharge hose by connecting one end to the pressure washer and the other end to the gun assembly. Make certain the quick connects are securely locked together.

## INSTALLATION INSTRUCTIONS

### INSPECTING AND VERIFYING CONDITIONS:

Inspecting gas connections must be done with extreme caution. Make sure there is proper ventilation and no ignition source present in the event a leak is found.

1. Connect the L.P.-Gas hose to the regulator at the front of the unit using pipe compound on the male threads of the hose.
2. Screw the POL fitting into the LP-Gas cylinder.

**NOTE:** When installing propane hose to the L.P.-Gas tank, note that it has left hand threads.

3. Remove the back panel on the unit. This panel contains the mirror to check the pilot and flame.
4. Slowly open the valve on the LP-gas cylinder.
5. Immediately check the piping connections from the LP-Gas cylinder to the regulator and the regulator to the gas valve with soapy water. Replace any leaking connections immediately.
6. Close the brass firing valve at the back of the unit and replace back panel.
7. Light the pilot using the pilot lighting instructions below:
  - a. Turn knob on the gas valve to the pilot position.

**NOTE:** On the first initial hook up, depress the control knob for 30-60 seconds to bleed the line.

- b. Depress the control knob and hold. After five seconds, firmly depress red ignitor button. Repeat two or three times, if necessary, until pilot lights. Once pilot is lit, continue to hold control knob down for approximately one minute.
  - c. Check the mirror at the rear of the unit to view the pilot. If the pilot does not remain lit, wait five minutes. Then repeat section 7-b, holding the control knob down for a longer period of time.
  - d. Turn gas valve control to the "ON" position.
8. Make sure the water supply to the unit is on and the unit has power. Start the unit by moving the control switch to the "PUMP" position. Trigger the gun and move the control switch to the "BURNER" position. After 15 seconds, turn the control switch to the "OFF" position. Make sure the gun was triggered to release any trapped pressure.
  9. Immediately check the piping connections from the gas valve to the brass firing valve and the pilot plumbing assembly. Replace any leaking connections immediately.
  10. Extinguish the pilot by turning the knob on the gas valve to the "OFF" position.
  11. After removing the back panel, open the brass firing valve on the machine and replace the back panel.

The machine should now be ready for use.



### WARNING

**30LB. L.P.-GAS (VAPOR ONLY) CYLINDER OR LARGER REQUIRED FOR PROPER OPERATION.**



### WARNING

**USE ONLY YOUR HAND TO PUSH IN OR TURN THE GAS CONTROL KNOB. NEVER USE A TOOL. IF THE KNOB WILL NOT PUSH IN OR TURN BY HAND, DON'T TRY TO REPAIR IT; CALL A QUALIFIED SERVICE TECHNICIAN.**



### WARNING

**RISK OF FIRE OR EXPLOSION! NEVER ATTEMPT TO LIGHT PILOT UNLESS PILOT MANUAL VALVE HAS BEEN SHUT OFF FOR 5 MINUTES.**

## INSTALLATION INSTRUCTIONS

### PRE-OPERATION CHECKLIST:

Before starting the unit, answer the questions in this checklist:

### QUESTIONS

<b>CODES:</b>	YES	NO
1. Does the electrical supply meet respected codes?	___	___
2. Does all gas supply piping meet respected codes?	___	___
<b>LOCATION:</b>		
1. Is the unit on a level surface in a dry area protected from excessive wind, rain and moisture?	___	___
2. Is the unit located away from flammable and combustible material?	___	___
3. Is the unit located in a large enough area for adequate air flow?	___	___
<b>ELECTRICAL:</b>		
1. Is the unit properly grounded?	___	___
2. Do all electrical components used meet requirements shown on the unit I.D. Plate and is the voltage correct?	___	___
<b>GAS SUPPLY:</b>		
1. Is the proper fuel type (L.P.-Gas) being used for your pressure washer?	___	___
2. Does the gas supply meet the demand of the BTU rating of the burner?	___	___
3. Is all piping the right size and have all gas connections been checked for leaks?	___	___
4. Is the gas valve completely open?	___	___
5. Are the propane tanks (if applicable) employed large enough to avoid freezing according to the unit's rating (30lb. L.P.-Gas Cylinder or larger)?	___	___
<b>GENERAL:</b>		
1. Have all operators using this unit read the Installation and Operator's Manual and understood all safety warnings?	___	___
2. If installed, has the unit been installed by qualified service people who followed the Installation and Operator's Manual instructions?	___	___
3. Is there ample water supply?	___	___

**IF NO WAS MARKED FOR ANY OF THESE QUESTIONS, CORRECT THE SITUATION BEFORE OPERATING THIS GAS-FIRED UNIT.**



## PREPARATION INSTRUCTIONS


### ATTIRE:

Proper attire is essential to your safety. It is advised to utilize whatever means necessary to protect eyes, ears, and skin. Additional safety attire (such as respiratory mask) may be required when using detergent cleaning agents with this pressure washer.



### PRE-START:

1. Before lighting, smell all around the machine for gas. Especially, sniff the floor area because L.P.-Gas is heavier than air and will settle on the floor. Do not operate unit if smell exists. Leave the location and contact a qualified serviceman.
2. Check to ensure the unit is plugged in.
3. Pump oil level should be checked before each use. The proper oil level should be at the notch on the dipstick. If the level appears low, use SAE20 or 30 non-detergent pump oil.

 **DANGER**

**RISK OF EXPLOSION OR FIRE!**  
**SMELL FOR GAS BEFORE STARTING UNIT. ALWAYS SNIFF AREA AROUND THE MACHINE FOR A GAS SMELL. BE SURE TO SNIFF FLOOR AREA, SINCE L.P.-GAS IS HEAVIER THAN AIR AND WILL SETTLE ON THE FLOOR.**

**IF YOU SMELL GAS:**

- DO NOT START UNIT AND TURN OFF GAS SUPPLY.
- DO NOT OPERATE ANY ELECTRICAL SWITCH.
- DO NOT LIGHT ANY APPLIANCE.
- DO NOT USE ANY PHONE IN THE ROOM OR AREA.
- LEAVE, GO TO ANOTHER LOCATION AND USE A PHONE TO CALL YOUR GAS SUPPLIER.
- FOLLOW THE GAS SUPPLIER'S INSTRUCTIONS.
- IF YOU CANNOT REACH YOUR GAS SUPPLIER, CALL THE FIRE DEPARTMENT.

 **WARNING**

**RISK OF FIRE OR EXPLOSION!**

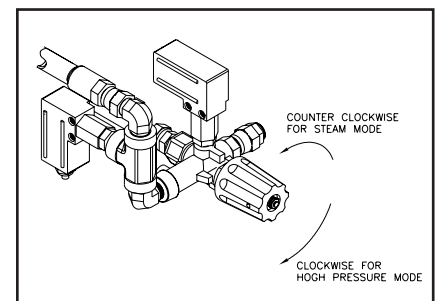
**YOU MUST FOLLOW INSTRUCTIONSEXACTLY,AFIRE OR EXPLOSION MAY RESULT CAUSING PROPERTY DAMAGE, PERSONAL INJURY OR LOSS OF LIFE.**

### UNLOADER:

**0703:** The unloader has an adjustment knob which has a minimum/maximum setting. Turn the unloader knob clockwise to the maximum setting for Cold/Hot water operation. Turn counterclockwise to minimum setting for Steam operation.

**1502:** The unloader has been preset at the factory and should only be adjusted by a trained serviceman.

**0703**



## PREPARATION INSTRUCTIONS

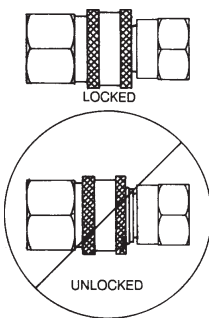
### **WARNING**

#### **RISK OF INJECTION CAUSING SEVERE INJURY!**

**THE TRIGGER GUN SHOULD ALWAYS BE LOCKED IN THE OFF POSITION WHEN NOT IN USE!**

**NEVER LOOK DIRECTLY AT THE NOZZLE UNLESS IT IS DISCONNECTED FROM THE TRIGGER GUN / LANCE ASSEMBLY!**

#### **QUICK CONNECT**

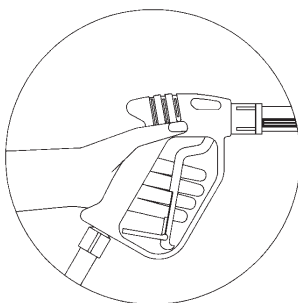


#### **QUICK-CONNECT NOZZLES:**

Various nozzles may be quick connected into the end of the lance to change the spray pattern or use the detergent feature. When using Quick-connects (Q.C.), be certain the connection is securely locked. If not, the high pressure water may shoot the nozzle from the lance, causing severe injury or serious damage. To determine spray fan, refer to the actual number stamped on the nozzle. The first two digits indicate the spray fan in degrees, i.e., 00=0°, 15=15°, 25=25°, 40=40°.

1. **The 0° nozzle (RED) (OPTIONAL):** This is a blasting nozzle. It delivers a very concentrated stream of water. Be cautious when using the straight narrow stream. It is not recommended for use on painted or wood surfaces or items attached with adhesive backing. Uses: Removing weeds from sidewalk cracks, stubborn stains from concrete, masonry, aluminum and steel, caked mud from equipment, and cleaning lawn mower undersides.
2. **The 15° nozzle (YELLOW) (STANDARD):** This is a chiseling nozzle. The spray should be directed at a 45° angle to the surface and used like a scraper to remove paint, grease and dirt. Uses: Surface preparation (removing mildew stains and paint chips).
3. **The 25° nozzle (GREEN) (OPTIONAL):**
  - a. This is a flushing nozzle. This pattern is best suited for flushing dirt, mud, and grime. Uses: Wet sweeping leaves from walk, curbs and driveways, cleaning stable floors, washing swimming pool bottoms, degreasing engines.
  - b. On units with steam option, this nozzle is used for 250°F Wet Steam operation. This nozzle is sized for operation with the unloader and steam valve (where applicable) to provide high pressure wet steam. Replacement of this nozzle with an improperly sized nozzle may cause operational problems with the machine.
4. **The 40° nozzle (WHITE) (OPTIONAL):** This is a wash nozzle. This wide spray pattern disperses the water pressure over a large area and is recommended for moderate washing. Uses: Washing down aluminum siding, washing vehicles, spraying sidewalks, driveways, and patios.

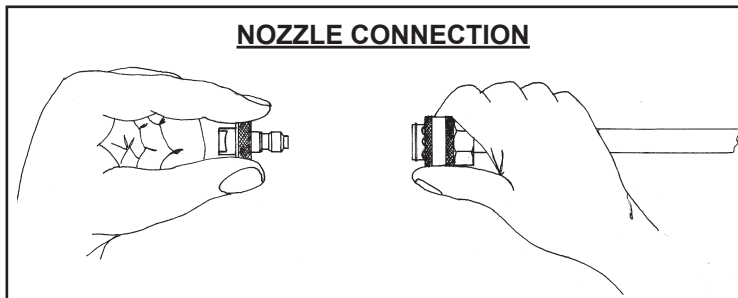
#### **GUN LOCK**



#### **NOZZLE CONNECTION:**

1. Ensure the trigger gun is locked in the OFF position.
2. The quick-connect nozzle should be disconnected from the lance at this time. As shown below, retract the locking ring on the quick-connect fitting to remove the nozzle.

#### **NOZZLE CONNECTION**



## PREPARATION INSTRUCTIONS

### PRE-START INSPECTION PROCEDURES:

1. Before starting the unit, perform the following procedures:
  - a. Check for gas smell. If a gas smell is detected, DO NOT START UNIT! See "Risk of Explosion or Fire" warnings, pg. 4.
  - b. Check all hose connections to ensure they are securely tightened.
  - c. Inspect for system water and oil leaks.
  - d. Inspect high pressure hoses for kinking, cuts and leaks. If a kink, cut or leak is found, DO NOT USE HOSE! Replace hose before starting unit. See "Risk of Injection" warnings, pg. 7. Be sure that all damaged parts are replaced and that the mechanical problems are corrected prior to operation of the unit. If you require service, contact your Customer Service Representative.

# **WARNING**

**THE FOLLOWING PAGES CONTAIN OPERATING AND MAINTENANCE INSTRUCTIONS.**

**DO NOT ATTEMPT TO OPERATE THIS PRESSURE WASHER UNTIL YOU HAVE READ AND UNDERSTOOD ALL SAFETY PRECAUTIONS AND INSTRUCTIONS LISTED IN THIS MANUAL. FOLLOW THE MAINTENANCE INSTRUCTIONS SPECIFIED IN THE MANUAL.**

**INCORRECT OPERATION OF THIS UNIT CAN CAUSE SERIOUS INJURY!!**

**DO NOT ALTER OR MODIFY THIS EQUIPMENT IN ANY MANNER!**

## OPERATING INSTRUCTIONS

Once you have completed the PRE-OPERATION CHECKLIST on pg. 16, you are ready for operation. The following steps will help you operate your machine safely.

### FLUSHING THE SYSTEM:

1. This unit has a steel coil which, after setting, will cause the water remaining in the coil from the previous usage to turn brown or black. This water must be flushed from the system before start-up. This procedure should be performed **without** the gun installed.
  - a. Verify the water supply is on.
  - b. Move the control switch to the "PUMP" position to start the pumping unit.
  - c. Run the unit for 3-5 minutes.
  - d. Turn off machine.
  - e. Turn off water supply.
  - f. Once the system is flushed, connect the trigger gun to the high pressure hose.



### CAUTION

#### RISK OF UNIT DAMAGE!

**BE CERTAIN THE GUN IS NOT CONNECTED TO THE UNIT WHILE FLUSHING THE SYSTEM. FLUSHING ALLOWS MINERAL DEPOSITS TO BE RELEASED FROM THE SYSTEM WHICH WOULD OBSTRUCT OR DAMAGE THE GUN AND RESULTING IN COSTLY REPAIRS.**

### COLD WATER OPERATION:

1. Refer to the "Safety Precautions" pgs. 4-9 before starting the unit.
2. Locate the Safety Decals on your unit and heed their warnings.
3. Pointing the trigger gun in a safe direction, unlock the trigger gun and squeeze the trigger. Brace yourself for possible gun kickback when the pump starts.
4. Move the control switch to the "PUMP" position to start the pumping unit.
5. Once the unit has started, perform the following procedures with the gun open:
  - a. Inspect for system water and oil leaks.
  - b. Inspect high pressure hoses for leaks. If a leak is found, **DONOT TOUCH HOSE AT LEAK!!! TURN UNIT OFF IMMEDIATELY!** Replace hose before using the unit. See "Risk of Injection" warnings, pg. 7. Be sure that all damaged parts are replaced and that the mechanical problems are corrected prior to operation of the unit.
6. At this point, the unit is operating as a cold water pressure washer. Trigger the gun several times. **NEVER** place hand or fingers in front of the nozzle or look directly into the nozzle! High pressure water creates a risk of severe injury!
7. Your pressure washer can deliver high pressure spray using cold water. If you wish to use the hot water or steam application; or cleaning with detergents, see pg. 22 for the correct procedures.



### DANGER

#### RISK OF INJECTION CAUSING SEVERE INJURY!

**KEEP CLEAR OF NOZZLE! NEVER PLACE HAND OR FINGERS IN FRONT OF NOZZLE!**

**DO NOT DIRECT DISCHARGE STREAM AT PEOPLE OR PETS!**



### CAUTION

#### RISK OF DAMAGE!

**DONOT ALLOW SPRAY PATTERN TO REMAIN ON A FIXED AREA FOR AN EXTENDED PERIOD OF TIME. POSSIBLE DAMAGE MAY OCCUR TO THE AREA.**

### LIGHTING PILOT VALVE:

1. Ensure that all the switches are in the "OFF" position.
2. Remove the L.P.-Gas tank from unit. Move tank away from unit as far as the supply hose allows.
3. Open the valve on the L.P.-Gas tank. Turn knob on the gas valve to the pilot position.
4. Depress the control knob and hold. After five seconds, firmly depress red ignitor button. Repeat two or three times, if necessary, until pilot lights. Once pilot is lit, continue to hold control knob down for approximately one minute.
5. Check the mirror at the rear of the unit to view the pilot. If the pilot does not remain lit, wait five minutes. Then repeat step 4, holding the control knob down for a longer period of time.



### WARNING

#### RISK OF EXPLOSION OR FIRE!

**FOLLOW INSTRUCTIONS EXACTLY! IF NOT, A FIRE OR EXPLOSION MAY RESULT CAUSING PROPERTY DAMAGE, PERSONAL INJURY OR LOSS OF LIFE.**

## OPERATING INSTRUCTIONS



### **WARNING**

#### **RISK OF BURN!**

**THE WATER TEMPERATURE COULD BECOME VERY HOT DURING HOT WATER OPERATION. BE CAUTIOUS WHEN ADJUSTING PRESSURE OR CONTROLLING THE TRIGGER GUN AND LANCE ASSEMBLY.**



### **IMPORTANT**

**WHEN COLD WATER IS BEING PUMPED INTO THE HEAT EXCHANGER AND THE BURNER IS ON, CONDENSATION MAY FORM ON THE COIL AND DRIP. THIS WILL GIVE THE APPEARANCE OF A LEAKING COIL PARTICULARLY IN COLD HUMID WEATHER.**

#### **HOT WATER OPERATION:**

1. Follow the steps outlined for "COLD WATER OPERATION AND LIGHTING PILOT VALVE." on page 21.
2. Move the control switch to the "BURNER" position. On initial start-up, water will begin turning hot in approximately 60 seconds and will reach maximum temperature in approximately 3 minutes, provided the trigger remains squeezed. The burner will stop firing when the trigger is released.

At this point, the unit is operating as a hot water pressure washer. Be certain to be extremely cautious when adjusting the pressure and controlling the trigger gun and lance assembly to avoid the possibility of burns.

**NOTE:** *While spraying, it is normal for the burner to fire intermittently. The high limit switch will cause combustion to cease when the temperature of the discharged water exceeds the temperature setting of the switch. Combustion will begin again when the water temperature drops below the minimum setting.*

---

#### **STEAM OPERATION (0703 ONLY):**

1. Follow the steps outlined for "LIGHTING PILOT VALVE AND COLD WATER OPERATION."
2. Turn unloader knob counterclockwise to the minimum setting.

**At this point, the unit will operate as a steam pressure washer. Be extremely cautious when adjusting the pressure and controlling the trigger gun and lance assembly to avoid the possibility of burns.**

## OPERATING INSTRUCTIONS

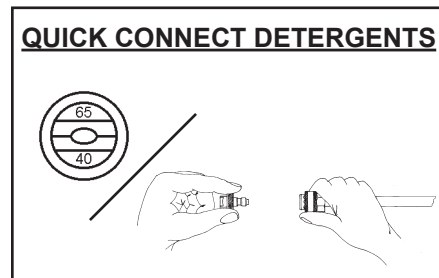
### CLEANING WITH DETERGENTS:

Connect the Detergent Injector to the unit as directed in the Detergent Injector Manual #AW-8300-0000.

1. Refer to "Risk of Bodily Injury," pg. 9, and the Detergent Injector Manual which accompanies part #AW-8300-0000. Be certain to wear protective safety attire as stated on pg. 17.
2. Prepare detergent solution according to label directions. Never pump acids, alkaline, abrasive fluids or solvents through the unit. Due to the unknown and often corrosive characteristics of many detergents commonly used in the pressure washer cleaning industry, it is recommended to use only mild detergents with this unit.
3. Adjust the amount of detergent desired by locating the adjustment knob at the end of the clear vinyl hose near at the Detergent Injector. Turn the knob completely counterclockwise to set at the maximum siphon rate.
4. Immerse the strainer into the detergent solution to allow detergent to siphon.
5. With the trigger gun locked in the **OFF** position, securely quick-connect the detergent spray nozzle (#6540° BLACK) into the end of the lance.

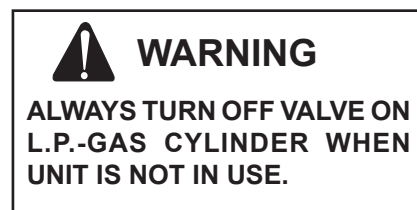
**NOTE:** *This injection system is designed to apply detergents under low pressure only. It will not allow detergent solutions to be introduced into the system unless the detergent nozzle is installed in the lance.*

6. To apply solution, unlock the trigger gun and squeeze the trigger. In a few moments a detergent/water mixture will exit the low pressure nozzle. Start spraying the lower portion of the surface being cleaned and move up, using long overlapping strokes. Applying from the bottom up helps avoid streaking. Allow to soak briefly. (Avoid working on hot surfaces or in direct sunlight to minimize the chances of the detergent drying, which may result in damaging painted surfaces.) Be certain to apply cleaning solution to a small section at a time.
7. To rinse: lock the trigger gun in the **OFF** position, securely quick-connect the 40° nozzle into the end of the lance. Unlock the trigger gun and spray. It will take about 30 seconds to purge all detergent from the line. For best rinsing results, start at the top and work down.
8. Siphon a gallon of water through the low pressure detergent injection system after each use. This prevents the possibility of corrosion or detergent residue causing mechanical problems during the next use.



### SHUTDOWN:

1. Close the valve on the L.P.-Gas tank. Shut the pilot valve off by depressing the gas valve control knob and turn it off.
2. Squeeze the trigger and discharge the water for a period of three minutes to cool the heat exchanger and high pressure hose. (Insufficient cool down period of the high pressure hose will cause excessive wear and eventual rupturing of the hose.)
3. Turn the control switch to the "OFF" position to stop the pumping unit.
4. Trigger the gun momentarily to relieve trapped pressure.
5. Secure the tank to the unit for transport.





## MAINTENANCE INSTRUCTIONS

### PREVENTIVE MAINTENANCE:

#### LEAKS:

Promptly eliminate any leaks found in the pumping system by removing suspect parts, applying thread sealant to the threads and reinstalling.

**NOTE:** If using teflon tape, be certain no tape gets inside any plumbing to prevent the possibility of a plugged spray nozzle.

#### QUICK COUPLERS:

There are o-ring seals inside the couplers which will deteriorate. To replace, simply install a replacement o-ring to correct the leak. (Additional o-rings can be purchased from your dealer.)

#### NOZZLE:

Water flow through the spray nozzle will erode the orifice, making it larger, resulting in a pressure loss. Nozzles should be replaced whenever pressure is less than 85% of the maximum. The frequency of replacement will depend upon such variables as mineral content in the water and number of hours the nozzle is used.

#### PUMP:

1. Change the pump oil after the first 50 hours of operation. After initial change, every 3 months or 250 hour intervals are recommended. If oil appears dirty or milky, changes may be required in greater frequency.
2. Locate the pump oil drain hose.
3. Use an empty container to catch the oil and remove the plug from the drain line.
4. Let all the oil drain from the pump and replace drain plug. Dispose of used oil according to local, state and national regulations.
5. Fill the pump crankcase to the notch on the dipstick with SAE20 or 30 non-detergent pump oil. Do not overfill.

#### BELT TENSION:

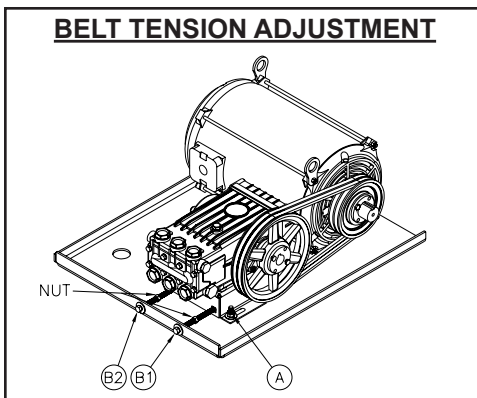
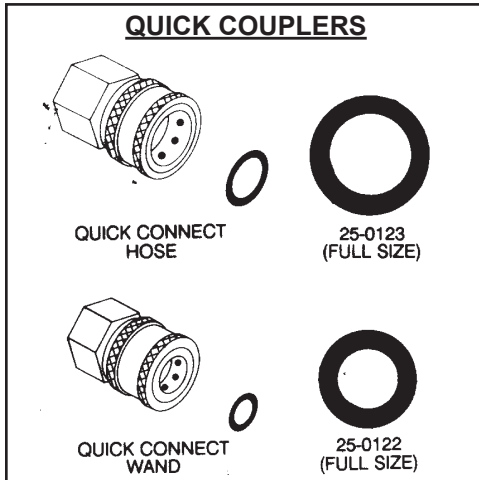
Ensure unit is off and unplugged. Unlock latches and lift lid to inspect the v-belts for wear and tightness. If the v-belt needs to be replaced or tightened, follow the procedures listed below and see illustration.

#### REPLACEMENT:

1. Loosen the four pump mounting bolts (A).
2. Loosen the two alignment nuts approximately one inch on the alignment bolts (B1 & B2).
3. Slide the pump toward the motor to loosen belts.
4. Remove and replace belt.

**TIGHTEN:** (If v-belt was not replaced, you will need to loosen the nuts on the alignment bolts B1 and B2 before proceeding.)

1. Tighten B2 alignment bolt. The pump will shift to the left until there is tension on the belt. Then tighten B2 nut.
2. Tighten B1 alignment bolt, until sheaves are straight. (Use a straightedge for alignment.)
3. Push on the v-belt to check belt deflection for tension. There should be 1/4" to 1/2" deflection for correct tension.
4. If sheaves are straight and tension is correct, tighten B1 nut and the four pump mounting bolts (A).
5. If tension is not correct, repeat steps 6 and 7 until correct alignment and tension is achieved. Tighten the four mounting bolts (A) when completed.
6. Loosen B2 nut, tighten B2 bolt, tighten B2 nut.
7. Loosen B1 nut, tighten B1 bolt, tighten B1 nut.





## MAINTENANCE INSTRUCTIONS

### WINTERIZING:

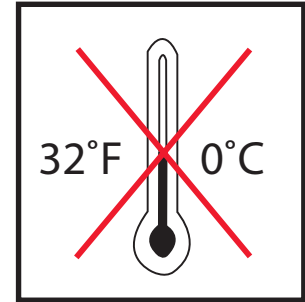
For storage and transportation purposes in subfreezing ambient temperatures, it will be necessary to winterize this unit. This unit must be protected to the lowest incurred temperature for the following reasons:

- a. If any part of the pumping system becomes frozen; excessive pressure may build up in the unit which could cause the unit to burst resulting in possible serious injury to the operator or bystanders.
- b. The pumping system in this unit may be permanently damaged if frozen. FREEZE DAMAGE IS NOT COVERED BY WARRANTY.



If you must store your unit in an area where the temperature may fall below 32°F, you can protect your unit by following the procedure outlined below.

1. Gather the following items:
  - a. Two 5 gallon containers.
  - b. One gallon of antifreeze. (Use an environmentally safe antifreeze.)
  - c. Water supply.
  - d. Three foot hose, 1/2-3/4 I.D. with a 3/4 inch male garden hose fitting.
2. Procedure:
  - a. To start winterizing, unit must be run according to the "Start-up Cold Water Operation" listed on page 21.
  - b. After running, shut off the unit and water supply.
  - c. Relieve system pressure by pointing the trigger gun in a safe direction and squeezing the trigger until water flow ceases to exit the lance assembly.
  - d. Lock the trigger gun in the OFF position.



**NOTE:** Proper winterizing is based on the recommended manufacturer's instructions listed on the "Protection Chart" shown on the back label of most antifreeze containers.

- e. Remove the water supply hose from the unit and attach the 3 foot hose securely to the inlet connection.
- f. Shut off the detergent injector (if applicable).
- g. Fill one 5 gallon container with water.
- h. Holding the 3 foot hose in an upright position, completely fill the hose with water. Then plug the open end of the hose with your thumb or finger. Place the plugged end into the 5 gallon container of water.
- i. Start the unit. Trigger the gun several times until all the air is worked out of the system (unit is primed).
- j. With the trigger gun held open, siphon enough water out of the 5 gallon container until there is just enough water left to mix with the antifreeze.
- k. Point the trigger gun into the empty container. (Be certain to wear safety attire for protection from splashing.)
- l. Trigger the gun until the antifreeze begins to exit the trigger gun. Release the trigger for 3 seconds, then trigger the gun for 3 seconds. Continue cycling the trigger gun several times until all the antifreeze mixture is siphoned from the container.
- m. Stop the unit.
- n. Detach the 3 foot hose from the unit and drain any excess antifreeze back into the 5 gallon container.

### AIR BLOW OUT:

1. Remove the nozzle from the wand assembly. Squeeze the trigger until water ceases to exit the wand assembly.
2. Connect an air fitting from an air hose to the unit's inlet.
3. Run compressed air into the system to remove all water from the system.

## MAINTENANCE INSTRUCTIONS

### PREVENTIVE OPERATOR MAINTENANCE CHART

PROCEDURE	DAILY	3 MONTHS	6 MONTHS	9 MONTHS	12 MONTHS
Gas leak inspection	X				
Water leak inspection	X				
Oil leak inspections	X				
Quick-connect and hose inspection	X				
Check pump oil level	X				
*Change pump oil		X	X	X	X
Check belt tension		X	X	X	X
Replace high pressure nozzle		X	X	X	X
Test water pressure			X		X
Test water temperature			X		X

\*The pump oil must be changed after the first 50 hours of operation and every 250 hours or 3 months, whichever comes first.

### DEALER MAINTENANCE CHART

PROCEDURE	12 MONTHS
Gas supply inspection	X
Clean gas line drip legs	X
Burner inspection	X
Exhaust ventilation inspection	X
*Descale coil	X
Test Voltage & Amp Draw	X

\*Scale buildup will vary with mineral content in the water and amount of usage. Descaling can range from monthly to yearly maintenance.

## TROUBLESHOOTING

SYMPTOM	PROBABLE CAUSE	REMEDY
Motor will not run.	Circuit overload.  Motor overload.	Determine if voltage is on. If not, check wall breaker or fuse.  Reset thermal overload button on pump motor or thermal overload in electrical box. Contact Customer Service.
No discharge at nozzle when trigger mechanism is squeezed.	Water turned off.	Check incoming water supply. Increase hose diameter and provide adequate water supply (20 PSI, 6 GPM).
Low or fluctuating pressure.	Inadequate water supply. Pump sucking air. (Prime eliminated.) High pressure detergent valve is open without the end of the hose inserted into detergent (causes vacuum leak and eliminates prime).  Kink in high pressure discharge hose. Obstructed or worn spray nozzle.  Damaged or obstructed valve assy. in pump.  Pump packings worn.  Unloader/bypass valve not operating correctly.	Tighten all water intake connections. Eliminate leaks in intake line.  Close valve or submerge detergent hose into solution. Reprime pump.  Replace kinked high pressure hose.  Remove, clean or replace.  Remove, clean or replace.  Replace packings.  Repair or replace.
Oil appears milky or foamy.	Water in oil.	Change pump oil. Fill to proper level.
Oil leaking from pump.	Worn seals or o-rings.	Contact Customer Service.
Detergent will not siphon.	Detergent strainer is not completely submerged in detergent solution.  Detergent strainer obstructed.  Detergent hose cut, obstructed or kinked.  Detergent adjusting knob turned to "OFF" position.	Check, submerge if necessary.  Inspect, clean or replace.  Inspect, clean or replace.  Open adjusting knob. Refer to "Cleaning With Detergents".
Water flows back into detergent container.	Ball and spring in strainer missing or corroded.	Remove, clean or replace.
Water flows from the nozzle when the trigger gun is locked in OFF position.	Trigger gun is malfunctioning.	Repair or replace.

## TROUBLESHOOTING

SYMPTOM	PROBABLE CAUSE	REMEDY
Before start-up, you smell gas around the machine.	Gas is leaking.	Go to another location and call your gas supplier for instructions, or if you cannot reach the supplier, call the fire department.
Burner will not ignite.	Control switch is not in the "BURNER" position.  Trigger gun is closed.  Defective High Limit Switch  High limit switch override.  No fuel.  Gas line obstruction.  Pilot valve is out.  Gas valve failure.	Check switch position.  Open trigger gun for pressure.  Replace switch.  Unit will automatically reignite when cool.  Check gas valve is open.  Check L.P.-Gas tank, refill if empty.  Check gas pressure.  Light Pilot.  Replace.
Pilot does not light.	Manual pilot valve closed.  Gas leak at pilot valve.  Piezo ignitor.	Open pilot valve.  Call qualified serviceman.  Call qualified serviceman.
Pilot ignites but will not stay on when gas cock dial is released.	Pilot too far away from thermocouple.  Thermocouple loose at regulator safety valve.	Call qualified serviceman.  Call qualified serviceman.
Short thermocouple life.	Excessive heat from pilot light.  Thermocouple too close to pilot.	Decrease pilot supply gas.  Call qualified serviceman.
Water is leaking under heat exchanger coil.	Condensation.  Ruptured heat exchanger coil.	May occur in cool, humid conditions. coil.  Replace.

## STATEMENT OF WARRANTY

The manufacturer warrants all parts (except those referred to below) of your new pressure washer to be free from defects in materials and workmanship during the following periods:

For Lifetime against freezing and cracking:  
Pump Manifold

For Seven (7) Years from the date of original purchase:  
High Pressure Pump

For Five (5) Years from the date of original purchase:  
Heat Exchanger Coil

For Two (2) Years from the date of original purchase:  
Guard or Shields  
Frames  
Plumbing  
Pulleys

For One (1) Year from the date of original purchase:  
Gas Valve  
Ignition Control

For Ninety (90) Days from the date of original purchase:  
Unloader Valve  
Ignitor Assembly  
Pressure Switch  
High Limit Thermostat

For Thirty (30) Days from the date of original purchase:  
High Pressure Hose  
Strainers/Filters  
Trigger Gun  
Wand

Defective parts not subject to normal wear and tear will be repaired or replaced at our option during the warranty period. In any event, reimbursement is limited to the purchase price paid.

## EXCLUSIONS

1. Engine/motor is covered under separate warranty by its respective manufacturer and is subject to the terms set forth therein.
2. Normal wear parts:  
Pump Packings  
Pump Valves  
Quick Couplings  
Spray Nozzles  
Detergent Valves
3. This warranty does not cover parts damaged due to normal wear, misapplication, misuse, operation at other than recommended speeds, pressures or temperature. Parts damaged or worn because of the use of caustic liquids or by operation in abrasive or corrosive environments or under conditions causing pump cavitation are not warranted. Failure to follow recommended operating and maintenance procedures also voids warranty.
4. The use of other than Genuine Manufacturer Repair Parts will void warranty. Parts returned, prepaid to our factory or to an Authorized Service Center will be inspected and replaced free of charge if found to be defective and subject to warranty. There are no warranties which extend beyond the description of the face hereof. Under no circumstances shall the manufacturer bear any responsibility for loss of use of the unit, loss of time or rental, inconvenience, commercial loss or consequential damages.



# TABLE DES MATIÈRES

<b>INTRODUCTION .....</b>	<b>31</b>
<b>AVERTISSEMENTS CONCERNANT LA SÉCURITÉ.....</b>	<b>32-41</b>
RISQUES D'INCENDIE OU D'EXPLOSION .....	32
RISQUES D'ASPHYXIE .....	33
RISQUES D'ÉLECTROCUTION OU DE CHOC ÉLECTRIQUE .....	34
RISQUES D'INJECTION OU DE COUPURE GRAVE .....	35
RISQUES DE BRÛLURES.....	36
RISQUES D'ÉCLATEMENT .....	36
RISQUES POSÉS PAR LES PIÈCES EN MOUVEMENT.....	36
RISQUES DE BLESSURES CORPORELLES.....	37
<b>COMPOSANTS DES LAVEURS.....</b>	<b>38-39</b>
<b>INSTALLATION D'UTILISATION.....</b>	<b>40-44</b>
INSTALLATION.....	40
ELECTRIQUE.....	41
ALIMENTATION EN EAU.....	42
RACCORDEMENT HAUTE PRESSION .....	42
INSPECTION ET VÉRIFICATIONS.....	43
LISTE DE VÉRIFICATIONS AVANT LA MISE EN MARCHÉ .....	44
<b>PRÉPARATION D'UTILISATION .....</b>	<b>45-47</b>
TENUE DE TRAVAIL.....	45
AVANT LA MISE EN MARCHÉ.....	45
DÉCHARGEUR.....	45
BUSES À MONTAGE RAPIDE.....	46
RACCORDEMENT DES BUSES.....	46
INSPECTION DE SÉCURITÉ AVANT LA MISE EN MARCHÉ.....	47
<b>INSTRUCTION D'UTILISATION.....</b>	<b>49-51</b>
RINÇAGE DU SYSTÈME.....	49
UTILISATION AVEC EAU FROIDE .....	49
ALLUMAGE DE LA VEILLEUSE .....	49
UTILISATION AVEC EAU CHAUDE.....	50
GÉNÉRATION DE VAPEUR.....	50
NETTOYAGE AVEC ADDITION DE DÉTERGENTS.....	51
ARRÊT DE L'APPAREIL.....	51
<b>ENTRETIEN D'UTILISATION .....</b>	<b>52-53</b>
ENTRETIEN PRÉVENTIF.....	52
PRÉPARATION À L'HIVER .....	53
<b>TABLEAU DE MAINTENANCE.....</b>	<b>54</b>
<b>DEPANNAGE .....</b>	<b>55-56</b>
<b>CONDITIONS DE GARANTIE.....</b>	<b>57</b>

## **⚠ AVERTISSEMENT**

**⚠ AVERTISSEMENT:** Ce produit peut vous exposer à des produits chimiques, tel que le plomb, qui est reconnu par l'état de la Californie comme étant une cause de cancer, d'anomalies congénitales et d'autres problèmes liés à la reproduction. Pour plus de renseignements, aller à [www.P65Warnings.ca.gov](http://www.P65Warnings.ca.gov)

### **CODES NATIONAUX:**

**ANSI Z223.1 (NFPA N° 54) - CODE NATIONAL DES CARBURANTS GAZEUX (É-U)**  
**NFPA N° 70 (NEC) - CODE NATIONAL ÉLECTRIQUE (É-U)**  
**AU CANADA; SE RÉFÉRER AU CODE D'INSTALLATION DE GAZ CSA B149.1**  
**AU CANADA; SE RÉFÉRER AU CODE ÉLECTRIQUE CANADIEN CSA C22.1 PARTIE 1**

## **⚠ AVERTISSEMENT**

**⚠ AVERTISSEMENT:** Ce produit peut vous exposer à des agents chimiques, y compris carbon monoxide, identifiés par l'État de Californie comme pouvant causer des malformations congénitales ou autres troubles de l'appareil reproducteur. Pour de plus amples informations, prière de consulter [www.P65Warnings.ca.gov](http://www.P65Warnings.ca.gov).

## INTRODUCTION

Nous vous félicitons d'avoir acheté ce nouveau laveur haute pression de la série HLP ! Soyez assuré que votre laveur haute pression a été conçu et construit avec un souci de qualité et de haute performance. Chaque composant a subi des essais rigoureux pour garantir le plus haut degré de satisfaction.

Ce manuel de l'utilisateur, établi à votre intention, est composé de simples rubriques consacrées à la sécurité, à l'installation, à l'exploitation, à l'entretien et au dépannage de votre nouveau laveur haute pression. En lisant ce manuel et en observant scrupuleusement les instructions fournies, vous serez assuré d'un fonctionnement sans problème pendant de longues années. Le contenu de ce manuel est basé sur les informations les plus récentes disponibles au moment de la publication sur les divers composants du laveur. Manufacturé se réserve le droit de modifier le prix, la couleur, les matériaux, l'équipement, les spécifications ou les modèles sans aucun préavis.

**Ces paragraphes sont insérés dans un « ENCADRÉ DE SÉCURITÉ ». Cet encadré identifie et signale des avertissements de sécurité qui doivent être suivis durant la marche du laveur haute pression. Accompagnant ces avertissements de sécurité, des mots clés indiquent le sérieux du danger. Les mots clés utilisés dans ce manuel sont les suivants:**

- DANGER:** indique une situation présentant un danger imminent qui, s'il elle n'est pas évitée, VA provoquer des blessures graves, voire mortelles.
- AVERTISSEMENT:** indique une situation potentiellement dangereuse qui, s'il elle n'est pas évitée, RISQUE de provoquer des blessures graves, voire mortelles.
- ATTENTION:** indique une situation potentiellement dangereuse qui, s'il elle n'est pas évitée, RISQUE de provoquer des blessures légères ou de gravité moyenne.



Les symboles à gauche de ce paragraphe sont des symboles avertisseurs. Ces symboles attirent l'attention du lecteur quant aux éléments et procédures présentant un danger potentiel pour lui et pour les autres utilisateurs de ce matériel. **TOUJOURS FOURNIR UNE COPIE DE CE MANUEL À QUICONQUE UTILISE CE MATÉRIEL. L'OPÉRATEUR DOIT LIRE TOUTES LES INSTRUCTIONS AVANT D'UTILISER CE LAVEUR HAUTE PRESSION, EN INSISTANT BIEN SUR LES AVERTISSEMENTS TOUCHANT À LA SÉCURITÉ POUR ÉVITER LES RISQUES DE BLESSURES.**

Une fois l'appareil déballé, inscrire immédiatement son numéro de série à la ligne ci-dessous.

**NUMÉRO DE SÉRIE** \_\_\_\_\_

Inspecter le matériel reçu pour vérifier qu'aucun dommage évident ou caché n'est présent. En cas de dommages, porter immédiatement une réclamation auprès du transporteur. S'assurer que toutes les pièces endommagées ont été remplacées et que tous les problèmes d'ordre mécanique ou électrique ont été résolus avant de mettre l'appareil en marche. Pour cela, veuillez vous adresser au détaillant qui vous a vendu l'appareil ou au centre d'entretien agréé de votre localité.

En cas d'appel de dépannage, avoir sous la main toutes les informations ci-dessous :

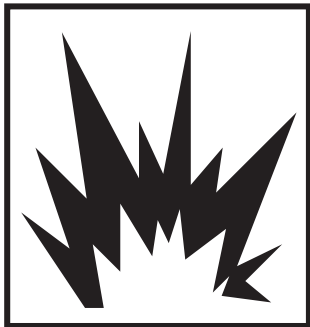
1. Numéro de modèle
2. Numéro de série
3. Date et lieu d'achat

## INSTRUCTIONS DE SÛRETÉ IMPORTANTES

APPLIQUER SYSTÉMATIQUEMENT LES MESURES DE PRÉCAUTION ÉLÉMENTAIRES, COMME:

LIRE TOUS LES AVERTISSEMENTS DE SÉCURITÉ AVANT L'INSTALLATION ET L'EXPLOITATION DU LAVEUR HAUTE PRESSION.

### AVERTISSEMENT: RISQUE D'INCENDIE OU D'EXPLOSION



1. L'installation de cet appareil, tuyauterie de gaz incluse, doit se conformer à tous les codes locaux, provinciaux et nationaux. (Parmi les normes à respecter, le « National Fuel Gas Code » (code national des combustibles gazeux) ANSI Z223.1/ NFPA N° 54. Au Canada; Se référer au code d'installation de gaz CSA B149.1).
2. Utiliser un combustible (L.P. gaz vaporisé) correspondant à l'appareil utilisé.
3. Ne pas raccorder les tuyaux d'alimentation en gaz au laveur haute pression sans avoir au préalable vérifié la pression du gaz, sinon la vanne de gaz risque d'être endommagée.
4. Ne pas régler la pression du gaz à un niveau supérieur à la pression recommandée. Une pression excessive risque d'endommager la vanne de gaz.
5. Les modèles au propane liquide sont conçus pour brûler le propane vaporisé. **Ne pas utiliser de carburant liquide.**
6. Ne pas remplacer ou remplir le réservoir de L.P. gaz pendant la marche de l'appareil.
7. En présence d'une odeur de gaz, éteindre toute flamme non protégée et vérifier tous les raccords avec une solution savonneuse. Si l'odeur persiste, couper l'arrivée du gaz et appeler le service de dépannage.
8. Le L.P. gaz est un gaz plus lourd que l'air qui a tendance à se concentrer près du sol. Veiller à toujours prévoir un local suffisamment grand et une ventilation adéquate pour les systèmes au propane liquide. Renifler l'air au voisinage du sol pour détecter toute présence de gaz avant d'utiliser l'appareil. Ne pas l'utiliser si l'on sent une odeur de gaz.
9. Ne jamais exposer une étincelle ou une flamme dans un endroit où du gaz non brûlé peut se trouver.
10. Ne jamais essayer d'allumer la veilleuse sans s'assurer que la valve pilote manuelle est éteinte depuis au moins 5 minutes.
11. Utilisez seulement votre main pour enfoncer ou pour tourner le bouton de commande de gaz. N'utilisez jamais un outil. Si le bouton n'enfoncera pas ou ne tournera pas à la main, n'essayez pas de le réparer ; appelez un technicien qualifié de service.
12. Ne jamais laisser un appareil en fonctionnement sans surveillance.
13. Ne jamais utiliser l'appareil si le réservoir de Gaz de Pétrole Liquéfié se trouve sur l'étagère de l'appareil. Eloigner le réservoir de Gaz de Pétrole Liquéfié aussi loin de l'appareil que le tuyau le permet.
14. Lors du dépannage de l'appareil, songer au préalable à fermer l'arrivée du gaz.

Si vous ne suivez pas ces instructions exactement, une incendie ou une explosion peut résulter entraînant des dégâts matériels, des blessures ou la perte de la vie.

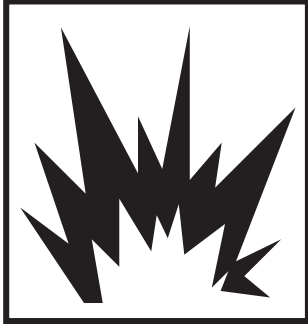

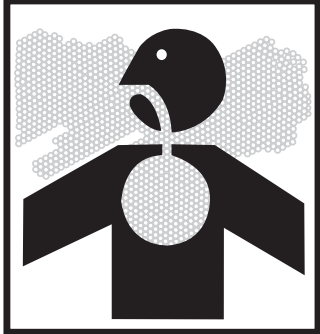
Une fuite de gaz peut entraîner des blessures graves, voire mortelles.



## INSTRUCTIONS DE SÛRETÉ IMPORTANTES

APPLIQUER SYSTÉMATIQUEMENT LES MESURES DE PRÉCAUTION ÉLÉMENTAIRES, COMME:

LIRE TOUS LES AVERTISSEMENTS DE SÉCURITÉ AVANT L'INSTALLATION ET L'EXPLOITATION DU LAVEUR HAUTE PRESSION.

<p><b>AVERTISSEMENT: RISQUE D'INCENDIE OU D'EXPLOSION</b></p>  	<ol style="list-style-type: none"> <li>15. Ne se servir ou installer le nettoyeur haute pression que dans des endroits où une flamme nue ou torche est permise.</li> <li>16. Actionnez toujours la rondelle de pression dans un secteur exempt bien aéré des vapeurs inflammables, des matériaux combustibles comprenant la poussière ou des gaz.</li> <li>17. Ne pas se servir de ce laveur haute pression pour pulvériser des liquides inflammables ! Les liquides inflammables peuvent produire des vapeurs susceptibles de s'embraser.</li> <li>18. Ne laissez pas la fibre ou la poussière se rassembler en secteur de brûleur.</li> <li>19. Ce laveur haute pression incorpore de nombreux dispositifs de sécurité que l'on ne doit jamais altérer, modifier, retirer ou rendre inopérant. Remplacer immédiatement un dispositif de sécurité défaillant par un dispositif de rechange en provenance du fabricant.</li> </ol>	<p>Les étincelles, normales au niveau des multiples allumeurs de cet appareil, peuvent entraîner des blessures graves, voire mortelles.</p> <p>Faute d'un entretien correct, les dispositifs de sécurité peuvent mal fonctionner et entraîner des blessures graves, voire mortelles.</p>
<p><b>AVERTISSEMENT: RISQUES D'ASPHYXIE</b></p> 	<ol style="list-style-type: none"> <li>1. L'installation de cet appareil, ventilation des gaz de combustion incluse, doit se conformer à tous les codes locaux, provinciaux et nationaux. (Parmi les normes à respecter, le « National Fuel Gas Code » (code national des combustibles gazeux) ANSI Z223.1/NFPA N° 54. Au Canada; Se référer au code d'installation de gaz CSA B149.1).</li> <li>2. Toujours s'assurer que la ventilation est adéquate (air frais venant de l'extérieur) pour permettre la respiration et la combustion. Ceci évitera une accumulation dangereuse d'oxyde de carbone. Se méfier des locaux mal aérés ou des locaux possédant des ventilateurs d'évacuation susceptibles de nuire aux échanges d'air.</li> <li>3. Si une odeur de gaz est décelée, couper l'alimentation en gaz de l'appareil, éteindre toutes les flammes et vérifier tous les raccords à l'aide d'une solution savonneuse. Si l'odeur persiste, avertir immédiatement le fournisseur de gaz.</li> <li>4. Suivre toutes les recommandations applicables aux matériaux soumis à la pulvérisation. L'utilisation d'un respirateur peut être nécessaire avec certains matériaux. Ne pas se servir du laveur haute pression pour pulvériser des produits nocifs.</li> </ol>	<p>L'inhalation des gaz d'échappement du brûleur ou de vapeurs toxiques peut entraîner des lésions graves, voire mortelles.</p>

## INSTRUCTIONS DE SÛRETÉ IMPORTANTES

APPLIQUER SYSTÉMATIQUEMENT LES MESURES DE PRÉCAUTION ÉLÉMENTAIRES, COMME:

LIRE TOUS LES AVERTISSEMENTS DE SÉCURITÉ AVANT L'INSTALLATION ET L'EXPLOITATION DU LAVEUR HAUTE PRESSION.

### AVERTISSEMENT: RISQUES D'ÉLECTROCUTION OU DE CHOC ÉLECTRIQUE



- |  |  |
|--|--|
| <ol style="list-style-type: none"> <li>1. Ne dirigez pas le jet sur ou dans des installations électriques d'aucune sorte! Ceci inclut les prises électriques, les ampoules, les boîtes à fusibles, les transformateurs électriques, l'appareil lui-même.</li> <li>2. Ce produit est équipé d'interrupteur moulu de circuit de défaut construit dans la prise de cordon de secteur. Si les pièces de rechange de la prise ou de la corde est nécessaire, employez seulement les pièces de rechange identiques.</li> <li>3. Terre: Installation voir section électrique. Cet appareil doit être branché à une installation électrique permanente avec mise à la terre; ou un fil conducteur relié à une terre doit être tiré avec les fils conducteurs du circuit électrique et branché sur la borne de mise à la terre de l'appareil.</li> <li>4. Vérifier que le laveur haute pression est branché à une source correctement mise à la terre, fournissant la tension correcte et protégée comme il se doit par un disjoncteur. Couper l'alimentation électrique lorsque l'appareil est inutilisé ou avant de procéder à des réparations.</li> <li>5. Ne jamais utiliser le laveur haute pression lorsque ses armoires électriques sont ouvertes, démontées ou endommagées.</li> <li>6. Ne pas toucher la machine avec des mains mouillées ou si l'on est sur un sol mouillé. Ne jamais laisser les câbles d'alimentation ni une quelconque connexion reposer dans l'eau. Ne touchez pas la prise avec les mains humides.</li> <li>7. NE JAMAIS diriger directement le jet de pulvérisation vers du matériel électrique, quel qu'il soit ! Ceci inclut les prises électriques, les ampoules, les tableaux de distribution, les transformateurs, l'appareil lui-même, etc.</li> <li>8. NE JAMAIS mettre en contact les parties métalliques du laveur haute pression avec des composants sous tension.</li> <li>9. Toute réparation ou câblage électrique de ce laveur haute pression doit être effectué par un réparateur agréé et conformément aux codes électriques locaux et nationaux.</li> <li>10. Avant d'ouvrir une quelconque armoire électrique, toujours éteindre puis dépressuriser le laveur haute pression et le débrancher de son alimentation électrique. Attendre qu'il se refroidisse. Ne jamais présumer que l'on peut intervenir sans danger sur le laveur haute pression simplement parce qu'il est arrêté. Il pourrait redémarrer à tout moment!</li> </ol> | <p>Une installation incorrecte peut entraîner des blessures graves, voire mortelles.</p> <p>Une mise à la masse incorrecte du laveur haute pression peut entraîner des blessures graves, voire mortelles. Ce laveur haute pression marche à l'électricité et risque de provoquer des électrocutions ou des chocs électriques s'il est utilisé de manière incorrecte.</p> <p>Des chocs électriques sont possibles si le laveur haute pression est utilisé de manière incorrecte.</p> <p>Le contact avec la source de courant peut entraîner des blessures graves, voire mortelles.</p> <p>Des réparations électriques par des personnes non qualifiées peuvent entraîner des blessures graves, voire mortelles.</p> |
|--|--|

## INSTRUCTIONS DE SÛRETÉ IMPORTANTES

APPLIQUER SYSTÉMATIQUEMENT LES MESURES DE PRÉCAUTION ÉLÉMENTAIRES, COMME:  
LIRE TOUS LES AVERTISSEMENTS DE SÉCURITÉ AVANT L'INSTALLATION ET L'EXPLOITATION DU LAVEUR HAUTE  
PRESSION.

### AVERTISSEMENT: RISQUES D'INJECTION OU DE COUPURE GRAVE



1. Se tenir à distance de la buse et de la pulvérisation ! Ne jamais placer la main, les doigts ou toute partie du corps sur la buse de pulvérisation.
2. Se tenir à l'écart du jet. Ne pas diriger le jet de sortie vers d'autres personnes.
3. Ce produit est destiné uniquement à des personnes formées à son utilisation.
4. Personne ne doit se trouver dans la zone d'utilisation de l'appareil.
5. Pour réduire le risque de blessures, surveiller les enfants de près quand vous vous servez de l'appareil à côté d'eux. INTERDIRE aux enfants d'utiliser cet appareil.
6. OBTENIR DES SOINS MÉDICAUX D'URGENCE si la pulvérisation paraît avoir pénétré la peau ! NE PAS TRAITER CECI COMME UNE SIMPLE COUPURE ! Être prêt à informer le médecin du type de produits nettoyants utilisé en consultant les fiches signalétiques (MSDS) fournies avec les détergents.
7. Les boyaux haute pression doivent être inspectés quotidiennement pour vérifier l'absence de signes d'usure. Si une défectuosité est évidente, remplacer tous les boyaux suspects pour éviter le risque de blessures par la pulvérisation haute pression. Si un boyau ou un raccord fuit, NE PLACER JAMAIS LA MAIN DIRECTEMENT SUR LA FUITE.
8. Avant d'utiliser le laveur haute pression, ou lors de la connexion par raccord rapide des boyaux haute pression aux buses de pulvérisation, s'assurer que le collier du raccord rapide femelle est soigneusement verrouillé afin d'éviter une décharge fortuite et que tous les raccords d'accouplement rapide sont solidement engagés.
9. NE JAMAIS UTILISER le pistolet avec sa gâchette bloquée en position ouverte. Pour éviter des décharges accidentelles, cette gâchette doit être solidement verrouillée lorsque le pistolet est inutilisé.
10. Avant de démonter la buse de pulvérisation ou avant un dépannage de l'appareil, TOUJOURS arrêter l'appareil et appuyer sur la gâchette du pistolet pour relâcher la pression résiduelle au sein du système. (Même après l'arrêt de l'appareil, la pompe, le boyau et le pistolet contiennent encore de l'eau sous forte pression, la pression n'étant dissipée qu'en actionnant la gâchette du pistolet.)

La pulvérisation à haute pression risque de pénétrer la peau et de provoquer des blessures graves, voire mortelles.

## INSTRUCTIONS DE SÛRETÉ IMPORTANTES

APPLIQUER SYSTÉMATIQUEMENT LES MESURES DE PRÉCAUTION ÉLÉMENTAIRES, COMME:  
LIRE TOUS LES AVERTISSEMENTS DE SÉCURITÉ AVANT L'INSTALLATION ET L'EXPLOITATION DU LAVEUR HAUTE  
PRESSION.

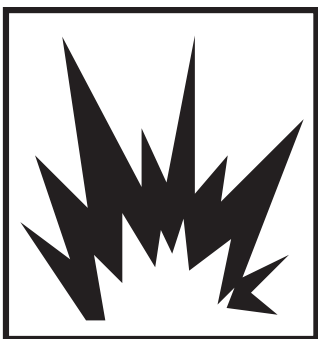
### AVERTISSEMENT: RISQUES DE BRÛLURES



1. Veiller à ne jamais toucher l'échangeur de chaleur ou le conduit d'évacuation.

Le fait de toucher l'échangeur de chaleur ou la conduite d'évacuation risque de provoquer de graves blessures. Ces pièces peuvent rester brûlantes, même après l'arrêt du laveur haute pression.

### AVERTISSEMENT: RISQUES D'ÉCLATEMENT



1. Ne jamais modifier les réglages de pression faits en usine.
2. Si le brûleur ne s'éteint pas, couper l'arrivée de gaz et contacter le réparateur.
3. Ne jamais dépasser la pression maximale permise par le fabricant des accessoires utilisés.
4. Pour éviter des éclatements accidentels, faire en sorte qu'aucun boyau ne puisse venir en contact avec l'échangeur de chaleur. Éviter de traîner les boyaux sur des surfaces abrasives, telles les surfaces cimentées.
5. N'utiliser que des pièces de rechange recommandées par le fabricant du laveur haute pression.
6. En cas de gel, l'appareil doit toujours être suffisamment chaud pour empêcher la formation de glace à l'intérieur. Ne pas mettre en marche le laveur tant qu'il n'est pas dégelé.

Si l'on utilise des composants, ou accessoires incorrects, de graves blessures sont à craindre par suite d'un mauvais fonctionnement du laveur haute pression ou de l'explosion d'un de ses accessoires.

Toute tentative de mise en marche d'un laveur haute pression gelé risque de provoquer des blessures graves, voire mortelles.

### AVERTISSEMENT: RISQUES POSÉS PAR LES PIÈCES EN MOUVEMENT



1. Ne pas utiliser l'appareil sans que tous ses capots de protection soient en place et ne faire aucun réglage sans tout d'abord arrêter et dépressuriser l'appareil, puis le débrancher de son alimentation électrique. Laisser l'appareil se refroidir. Ne jamais présumer que l'on peut intervenir sans danger sur le laveur haute pression simplement parce qu'il est arrêté. Il pourrait redémarrer à tout moment !

Les pièces en mouvement du laveur haute pression sont susceptibles de blesser grièvement l'opérateur.

## INSTRUCTIONS DE SÛRETÉ IMPORTANTES

APPLIQUER SYSTÉMATIQUEMENT LES MESURES DE PRÉCAUTION ÉLÉMENTAIRES, COMME:  
LIRE TOUS LES AVERTISSEMENTS DE SÉCURITÉ AVANT L'INSTALLATION ET L'EXPLOITATION DU LAVEUR HAUTE  
PRESSION.

### AVERTISSEMENT: RISQUES DE BLESSURES CORPORELLES



1. OBTENIR DES SOINS MÉDICAUX D'URGENCE si la pulvérisation paraît avoir pénétré la peau ! NE PAS TRAITER CECI COMME UNE SIMPLE COUPURE ! Être prêt à informer le médecin du type de produits nettoyants utilisés en consultant les fiches signalétiques (MSDS) fournies avec les détergents.
2. Ne jamais utiliser de solvants ou de détergents fortement corrosifs ou des produits nettoyants acides avec ce laveur haute pression.
3. Il est conseillé de porter des équipements de protection, tels combinaisons caoutchoutées, gants et respirateurs, surtout lorsqu'on utilise des détergents.
4. Tenir tous les détergents hors de portée des enfants.
5. TOUJOURS porter des lunettes protectrices durant l'utilisation de l'appareil afin de se protéger des projections de débris et de détergent.
6. NE PAS diriger la pulvérisation sur des matériaux fragiles comme le verre car ils risquent de se briser.
7. Rester attentif - être conscient de ce que l'on fait. Ne pas utiliser l'appareil s'il l'on est fatigué, en état d'ébriété ou sous l'influence de médicaments ou drogues.
8. NE JAMAIS presser sur la gâchette tant que l'on n'a pas assuré sa position.
9. NE PAS essayer d'atteindre des objets trop éloignés. NE PAS se tenir sur des supports instables.
10. Les surfaces mouillées peuvent être glissantes. Porter des chaussures de protection et constamment assurer son équilibre et avoir le pied sûr.
11. NE JAMAIS presser sur la gâchette s'il l'on est sur un toit ou une échelle.
12. TOUJOURS tenir fermement le pistolet / la lance durant la mise en marche et l'utilisation de l'appareil. L'inobservation de cette consigne peut entraîner la chute de la lance qui risque alors de se déplacer avec violence.
13. Savoir comment arrêter le laveur haute pression et le dépressuriser rapidement. Bien connaître toutes ses commandes.
14. NE PAS laisser l'appareil sous pression sans surveillance. Avant de s'en éloigner, l'arrêter et relâcher la pression résiduelle.
15. NE PAS utiliser l'appareil si des fuites l'huile ou d'eau se manifestent. NE PAS reprendre l'utilisation tant que l'appareil n'a pas été inspecté et réparé par un réparateur qualifié.
16. Ne jamais modifier les réglages de l'appareil pendant la marche.
17. Avant tout dépannage, arrêter l'appareil, relâcher sa pression résiduelle et le débrancher de son alimentation électrique. Laisser l'appareil se refroidir. Ne jamais présumer que l'on peut intervenir sans danger sur le laveur haute pression simplement parce qu'il est arrêté. Il pourrait redémarrer à tout moment !
18. Suivez les instructions d'entretien indiquées dans le manuel.

Des blessures graves, voire mortelles sont possibles si le détergent pénètre la peau ou entre en contact avec elle.

La projection de débris à très grande vitesse par le pistolet de pulvérisation peut provoquer de graves blessures.

L'opérateur risque de se blesser si la pression de l'eau sortant de la buse de pulvérisation le déséquilibre.

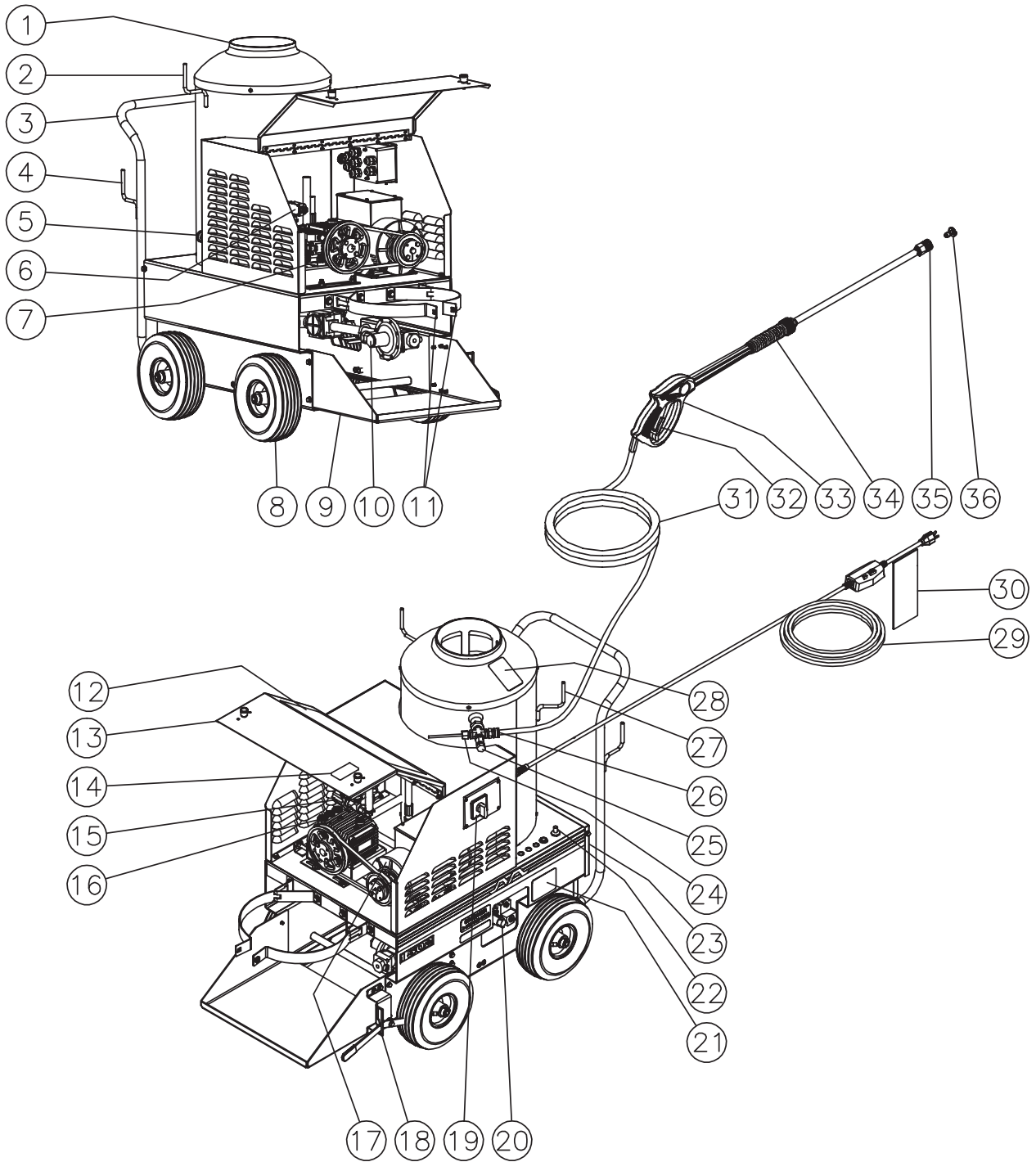
Le laveur haute pression risque de blesser.



**CONSERVEZ CES INSTRUCTIONS**



# COMPOSANTS DES LAVEURS



GH LP FIRED FEATURES-100303-BAR



## LISTE DES COMPOSANTS

1. Echappement de l'échangeur de chaleur
2. Support de lance
3. Poignée de Pousser/Tirer
4. Crochet pour tuyau
5. Entrée d'eau / Dispositif de non-retour d'eau
6. Interrupteur de pression
7. Clapet de décharge thermique
8. Roues
9. Plateforme de la bouteille de GPL (L.P.-Gas)
10. Régulateur de GPL (L.P.-Gas)
11. Courroie de la bouteille de GPL (L.P.-Gas)
12. Décalque- Avertissement/Attention/Utilisation
13. Panneau
14. Décalque- Avertissement: Risque de blessures
15. Dispositif de déchargement
16. Pompe haute pression
17. Moteur
18. Frein
19. Interrupteur- OFF/POMPE/BRULEUR
20. Vanne de GPL (L.P. Gas)
21. Décalque- Plaque de données
22. Allumage manuel
23. Raccord d'allumage en laiton
24. Capteur de limite supérieure
25. Clapet détendeur de tension
26. Sortie d'eau
27. Crochet cordon électrique
28. Décalque- Avertissement: Surface chaude
29. Cordon d'alimentation avec/GFCI
30. Etiquette- Avertissement: Risque d'électrocution
31. Tuyau haute pression
32. Cran de sûreté du pistolet
33. Pistolet de déclenchement
34. Lance isolée
35. Lance
36. Buse haute pression

## INSTRUCTIONS D'INSTALLATION

### INSTALLATION:

 **DANGER**  
**RISQUES D'INCENDIE OU D'EXPLOSION !**  
**NE PAS PLACER L'APPAREIL DANS UN ENDROIT OÙ DES VAPEURS INFLAMMABLES RISQUENT D'ÊTRE PRÉSENTES. UNE ÉTINCELLE PEUT PROVOQUER UNE EXPLOSION OU UN INCENDIE !**  
**RISQUES D'ÉCLATEMENT DE L'APPAREIL ! NE PAS SITUER L'APPAREIL DANS UN ENDROIT OÙ IL RISQUE DE GELER.**

 **ATTENTION**  
**RISQUES D'ASPHYXIE !**  
**N'UTILISER CE PRODUIT QUE DANS UN LOCAL BIEN VENTILÉ ! LES GAZ D'ÉCHAPPEMENT CONTIENNENT DE L'OXYDE DE CARBONE, UN GAS INODORE, INVISIBLE ET TOXIQUE. L'INHALATION DE CE GAZ PEUT PROVOQUER DES MALADIES ET DES LÉSIONS GRAVES, VOIRE MORTELLES.**

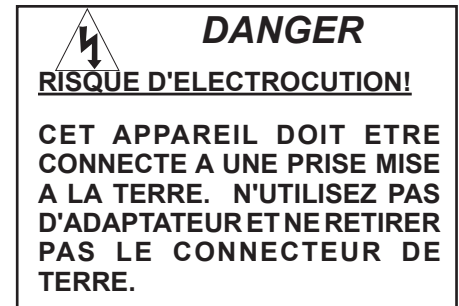
1. Cet appareil doit toujours être placé sur une surface plane afin d'assurer une lubrification appropriée de la pompe à eau pendant le fonctionnement. Ne JAMAIS pulvériser d'eau directement sur l'appareil.
2. L'appareil doit être placé à bonne distance de tout matériau inflammable ou combustible. Ces types de matériaux doivent être au moins à 6 mètres des appareils.
3. **NE PAS** placer l'appareil à un endroit:
  - a. où des vapeurs inflammables risquent d'être présentes
  - b. où la ventilation est insuffisante
  - c. où des fuites d'huiles ou de carburant sont évidentes
4. Ne laissez pas l'appareil exposé à la pluie, à la neige ou à des températures glaciales. Si une partie de l'appareil venait à geler, une pression excessive pourrait s'accumuler dans l'appareil, ce qui pourrait le faire éclater ayant pour résultat des dommages sérieux pour l'utilisateur ou pour des tiers.
5. Le niveau d'huile de pompe doit être vérifié avant chaque utilisation. Assurez-vous que l'huile est au point «Full» sur le jaugeur ou au centre de l'orifice de vérification d'huile. Si le niveau semble être bas, faites le plein avec de l'huile de pompe SAE20 ou 30 non détergent.



## INSTRUCTIONS D'INSTALLATION

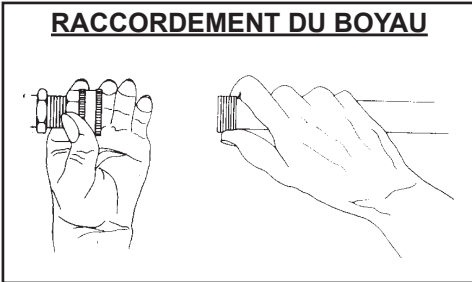
### ELECTRICAL:

1. Assurez-vous que le commutateur est en position «off».
2. Assurez-vous que l'alimentation électrique est conforme aux caractéristiques stipulées de la plaque de données de la machine.
3. **INSTRUCTIONS POUR LA MISE A LA TERRE:** Ce produit doit être raccordé à la terre. Si une dysfonction ou une panne devait survenir, la masse fournit un circuit de résistance moindre pour le courant électrique afin de réduire le risque de décharge. Ce produit est équipé d'un fil électrique ayant un conducteur pour la terre et une prise de masse. La fiche doit être branchée à une sortie appropriée correctement installée et reliée à la terre selon tous les codes et dispositions en vigueur locaux.
4. **DANGER:** Un mauvais raccordement du conducteur de masse peut avoir comme conséquence un risque d'électrocution. Vérifiez avec un électricien ou un personnel de service qualifié si vous avez un doute quant au raccordement de la masse. Ne modifiez pas la prise fournie avec le produit—si elle ne rentre pas dans la prise de courant, faites installer une prise appropriée par un électricien qualifié. N'employez aucun type d'adaptateur avec ce produit.
5. **GFCI (DISJONCTEUR DIFFÉRENTIEL À FAUTE DE TERRE):** Cette machine est fournie avec le GFCI (Ground Fault Circuit Interrupter : Disjoncteur différentiel) dans la prise ou le cordon d'alimentation, examinez le GFCI chaque fois qu'il est branché à une sortie selon les instructions du GFCI. N'utilisez pas la machine si l'essai échoue! Le GFCI assure une protection supplémentaire en cas de risque de décharge électrique. Si le remplacement de la prise ou du cordon devient nécessaire, employez seulement des pièces de rechange identiques qui incluent la protection GFCI.
6. **RALLONGES ÉLECTRIQUES:** Le fabricant NE RECOMMANDE PAS L'UTILISATION DE RALLONGES ELECTRIQUES! Si l'utilisation d'une rallonge électrique est inévitable, elle doit être branchée à un GFCI se trouvant dans des boîtiers de circuit ou des réceptacles protégés. Lors de l'utilisation d'une rallonge électrique, consultez un électricien qualifié pour déterminer la mesure appropriée de fil électrique requise pour la longueur de la rallonge électrique. Utiliser exclusivement des rallonges électriques à trois fils qui ont des prises à trois connecteurs ainsi qu'une prise femelle à trois connecteurs acceptant la prise du produit. Utiliser exclusivement des rallonges qui sont prévues pour l'usage extérieur. Ces rallonges sont identifiées par une inscription « approprié pour fonctionner avec des appareils extérieurs; ranger en intérieur entre chaque utilisation.» Utilisez seulement les rallonges ayant une intensité électrique au moins égale à l'intensité électrique du produit. N'employez pas de rallonges électriques abîmées. Examinez la rallonge avant chaque utilisation et remplacez la si elle est endommagée. Ne malmenez pas la rallonge et ne tirez sur aucun fil pour le débrancher. Tenez le fil électrique à l'écart de la chaleur et des bords coupants. Branchez et débranchez toujours la rallonge électrique du réceptacle avant de brancher ou débrancher celle-ci de l'appareil.
7. Assurez-vous que l'endroit se trouvant entre le fil de la machine et la prise est au sec
8. Insérez la fiche mâle dans une prise de courant alternatif mise à la terre.  
**N'utilisez pas un adaptateur ou ne retirez pas la prise de terre!!**



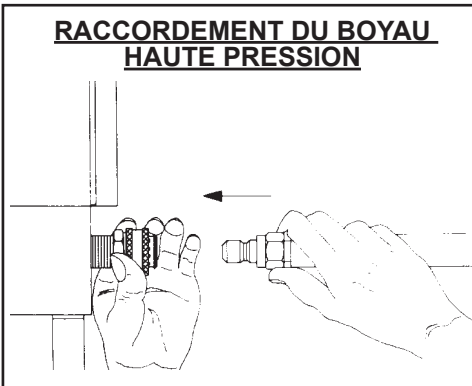
## INSTRUCTIONS D'INSTALLATION

### ALIMENTATION EN EAU:



1. Comme boyau d'alimentation en eau, choisir un tuyau d'arrosage de bonne qualité ayant un diamètre intérieur d'au moins  $\frac{1}{2}$  pouce (19 mm) et ne dépassant pas 15 mètres de longueur.
2. Raccorder une extrémité de ce boyau à l'entrée d'eau de l'appareil. Raccorder l'autre extrémité à l'eau de la ville.

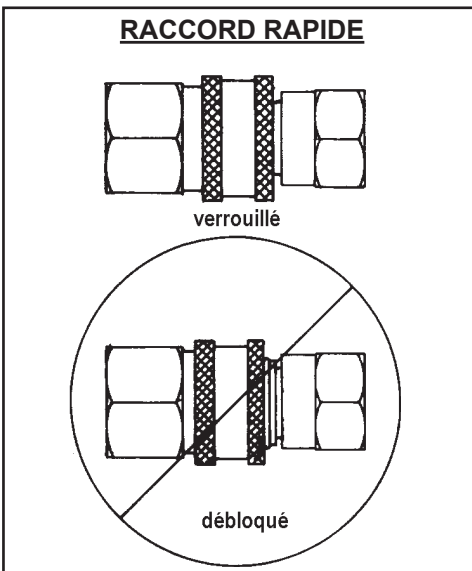
**NOTE :** *si l'eau utilisée contient une forte quantité de sels minéraux, il est recommandé d'installer un adoucisseur d'eau pour éviter un excès de dépôts calcaires à l'intérieur du serpentin de l'échangeur de chaleur.*



3. S'assurer que tous les raccords sont bien serrés.
  - a. Boyau d'alimentation à l'entrée d'eau de l'appareil.
  - b. Boyau d'alimentation à l'eau de la ville.
4. L'alimentation en eau doit répondre aux exigences suivantes:
  - a. La pression d'eau doit se situer entre 140 kPa (minimum) et 455 kPa (maximum).
  - b. Le débit d'arrivée doit être environ supérieur de 4 litres/mn au débit de sortie indiqué sur la plaque signalétique du laveur haute pression. (Il est possible d'évaluer le débit d'entrée en chronométrant la durée de remplissage d'un récipient de contenance connue, par exemple 25 litres).
  - c. La température de l'eau d'alimentation ne doit pas dépasser 52 °C. La pompe risque d'être endommagée si la température de l'eau dépasse cette valeur.

**NOTE :** *Si l'alimentation en eau est inadéquate ou si le tuyau est vrillé, l'appareil ne marchera pas correctement et le brûleur ne s'allumera pas.*

5. Ne jamais laisser l'appareil fonctionner si le boyau d'arrivée d'eau n'est pas raccordé ou si l'alimentation en eau n'est pas ouverte à fond.



### RACCORDEMENT HAUTE PRESSION:

Raccorder le boyau haute pression en le branchant d'un côté au laveur haute pression et de l'autre côté au pistolet. Vérifier que les raccords rapides sont bien verrouillés.

## INSTRUCTIONS D'INSTALLATION

### INSPECTION ET VERIFICATION DES CONDITIONS:

L'inspection des raccords de gaz doit être faite avec une très grande prudence. S'assurer qu'il y a une bonne ventilation et qu'aucune source d'ignition est présente dans le cas qu'une fuite soit découverte.

1. Relier le tuyau de Gaz de Pétrole Liquéfié au régulateur se trouvant à l'avant de l'appareil en mettant du mastic pour joints sur les filets mâle du tuyau.
2. Visser le raccord POL dans la bouteille de Gaz de Pétrole Liquéfié.


**NOTE:** Pendant l'installation du tuyau de propane au réservoir de Gaz de Pétrole Liquéfié, remarquer qu'il a un filetage à gauche.


3. Retirer le panneau arrière de l'appareil. Ce panneau contient le miroir qui sert à vérifier la veilleuse et la flamme.
4. Ouvrir lentement la vanne de la bouteille de Gaz de Pétrole Liquéfié.
5. Vérifier immédiatement avec de l'eau savonneuse les raccords de tuyauteries allant de la bouteille de Gaz de Pétrole Liquéfié au régulateur et allant du régulateur à la vanne de gaz. Remplacer tout raccord qui fuit immédiatement.
6. Fermer le robinet d'allumage à l'arrière de l'appareil et remplacez en arrière le panneau.
7. Allumer la veilleuse selon les instructions d'allumage de la veilleuse ci-dessous:
  - a. Tourner le bouton de la vanne de gaz sur la position veilleuse.


**NOTE:** Au moment de la première connexion, appuyer sur le bouton de contrôle pendant 30-60 secondes pour vider la ligne.

- b. Appuyer sur le bouton de contrôle et maintenir en position enfoncée. Au bout de cinq secondes, presser fermement sur le bouton rouge d'allumage. Répéter l'opération deux ou trois fois si nécessaire jusqu'à ce que la veilleuse s'allume. Une fois la veilleuse allumée, maintenir le bouton de contrôle enfoncé pendant une minute environ.
  - c. Vérifier par le miroir à l'arrière de l'appareil que la veilleuse reste allumée. Si la veilleuse s'éteint, attendre cinq minutes. Puis répéter l'étape 7-b en pressant le bouton de contrôle plus longtemps.
  - d. Mettre le bouton de contrôle de la vanne de gaz en position de marche (ON).
8. S'assurer que l'alimentation en eau reliée à l'appareil est ouverte et que l'appareil a du courant. Démarrer l'appareil en déplaçant l'interrupteur de contrôle jusqu'à la position "POMPE". Déclencher le pistolet et déplacer l'interrupteur de contrôle jusqu'à la position "BRULEUR". Au bout de 15 secondes, tourner l'interrupteur de contrôle jusqu'à la position d'arrêt (OFF). S'assurer que le pistolet a été déclenché afin de relâcher toute pression restante.
  9. Vérifier immédiatement les raccords de tuyauterie allant de la vanne de gaz au robinet d'allumage et l'assemblage de tuyauterie de la veilleuse. Remplacer tout raccord qui fuit immédiatement.
  10. Eteindre la veilleuse en tournant le bouton de la vanne de gaz jusqu'à la position d'arrêt (OFF).
  11. Après enlèvement du panneau arrière, ouvrir le robinet d'allumage de l'appareil et remplacez en arrière le panneau.

Cet appareil devrait maintenant être prêt à l'emploi.

 **AVERTISSEMENT**  
BOUTEILLE DE GAZ GPL  
(UNIQUEMENT DU GAZ GPL  
VAPORISÉ) D'UN POIDS MINI-  
MUM DE 30 LB. (13.60 KG) EST  
REQUISE POUR UN BON  
FONCTIONNEMENT

 **AVERTISSEMENT**  
UTILISEZ SEULEMENT VOTRE  
MAIN POUR ENFONCER OU  
POUR TOURNER LE BOUTON DE  
COMMANDE DE GAZ. N'UTILISEZ  
JAMAIS UN OUTIL. SI LE BOU-  
TON N'ENFONCERA PAS OU  
NE TOURNERA PAS À LA MAIN,  
N'ESSEYER PAS DE LE RÉPARER;  
APPELEZ UN TECHNICIEN  
QUALIFIÉ DE SERVICE.

 **AVERTISSEMENT**  
RISQUE D'INCENDIE OU  
D'EXPLOSION ! NE JAMAIS ES-  
SAYER D'ALLUMER LA VEILLEUSE  
SANS S'ASSURER QUE LA VALVE  
PILOTE MANUELLE EST ÉTEINTE  
DEPUIS AU MOINS 5 MINUTES.

## INSTRUCTIONS D'INSTALLATION

### LISTE DE VERIFICATIONS AVANT LA MISE EN MARCHE:

Avant la mise en marche de l'appareil, répondre aux questions de la liste ci-dessous:

#### QUESTIONS

	YES	NO
<b>CODES:</b>		
1. L'alimentation électrique est-elle conforme aux codes en vigueur?	___	___
2. L'alimentation en gaz est-elle conforme aux codes en vigueur?	___	___
<b>EMPLACEMENT:</b>		
1. L'appareil est-il installé en intérieur sur un sol incombustible dans un endroit sec protégé de la pluie, de l'humidité et des vents excessifs?	___	___
2. L'appareil est-il situé à l'écart de matériaux inflammables ou combustibles?	___	___
3. L'appareil est-il installé dans un local ayant un volume suffisant pour assurer une aération correcte?	___	___
<b>CIRCUIT ÉLECTRIQUE:</b>		
1. L'appareil est-il correctement mis à la terre?	___	___
2. Tous les composants électriques satisfont-ils aux exigences stipulées sur la plaque signalétique de l'appareil (schéma n° 32) et la tension d'alimentation est-elle correcte?	___	___
<b>ALIMENTATION EN GAZ :</b>		
1. L'appareil est-il alimenté en gaz correct (propane liquide)?	___	___
2. L'alimentation en gaz répond-elle aux exigences de la puissance calorifique nominale (thermies) du brûleur?	___	___
3. La tuyauterie de gaz a-t-elle la taille correcte et a-t-on vérifié qu'aucun raccord ne fuit?	___	___
4. La vanne de gaz est-elle ouverte à fond?	___	___
5. La réservoir de propane ont-ils une contenance suffisante pour ne pas geler, étant donnée la puissance de l'appareil (Bouteille de gaz GPL (uniquement du gaz GPL vaporisé) d'un poids minimum de 30 lb. (13.60 kg))?	___	___
<b>INSTRUCTIONS GENERALES:</b>		
1. Tous les opérateurs de cet appareils ont-ils lu le manuel d'installation et d'utilisation et bien compris les avertissement touchant à la sécurité?	___	___
2. S'installé, l'appareil a-t-il été installé par un personnel qualifié conformément aux instructions du manuel d'installation et d'utilisation?	___	___
3. L'alimentation en eau est-elle suffisamment abondante?	___	___

**SI LA REPONSE A UNE QUELCONQUE DE CES QUESTIONS EST NON, REMEDIER A LA SITUATION AVANT DE METTRE L'APPAREIL EN MARCHE.**

## PRÉPARATION D'INSTALLATION

### TENUE DE TRAVAIL:

Pour des raisons de sécurité, une tenue appropriée est essentielle. Il est recommandé d'utiliser tous les moyens disponibles pour se protéger les yeux, les oreilles et la peau. Des équipements protecteurs additionnels (tels un respirateur) peuvent être requis lorsque des détergents de nettoyage sont utilisés avec ce laveur haute pression.



### AVANT LA MISE EN MARCHÉ:

1. Avant d'allumer, sentir l'air tout autour de l'appareil pour détecter toute odeur de gaz. Renifler surtout l'air au voisinage du sol car le Gaz de Pétrole Liquéfié est plus lourd que l'air et s'installera au sol. Ne pas se servir de l'appareil si une odeur de gaz existe. Quitter le local et contacter un personnel qualifié.
2. S'assurer que l'appareil est branché.
3. Le niveau d'huile dans la pompe doit être vérifié avant chaque utilisation. Vérifier le niveau d'huile en retirant la jauge d'huile à la partie supérieure du carter. Le niveau correct correspond à l'encoche située sur la jauge. Si le niveau paraît bas, utiliser de l'huile pour pompe SAE20 ou 30 non détergent.



### **DANGER**

#### **RISQUES D'EXPLOSION OU D'INCENDIE!**

Sentir l'air pour détecter toute odeur de gaz avant de démarrer l'appareil. Renifler toujours la zone autour de l'appareil pour détecter une odeur de gaz. Ne manquer pas de renifler au voisinage du sol car le Gaz de Pétrole Liquéfié est plus lourd que l'air et s'installera au sol.

#### **SI L'ON SENT LE GAZ**

- NE PAS DEMARRER L'APPAREIL.
- N'ACTIVER AUCUN INTERRUPTEUR ÉLECTRIQUE.
- N'ALLUMER AUCUN APPAREIL.
- N'UTILISER AUCUN TÉLÉPHONE DANS LE LOCAL SUSPECT.
- QUITTER LE LOCAL ET UTILISER LE TÉLÉPHONE D'UN AUTRE LOCAL POUR APPELER LA COMPAGNIE DU GAZ.
- SUIVRE LES INSTRUCTIONS FOURNIES PAR LA COMPAGNIE DU GAZ.
- S'IL EST IMPOSSIBLE DE JOINDRE LA COMPAGNIE DU GAZ, APPELER LES POMPIERS.



### **AVERTISSEMENT**

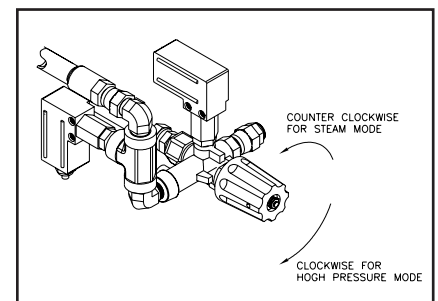
#### **RISQUES D'EXPLOSION OU D'INCENDIE!**

SUIVRE EXACTEMENT LES INSTRUCTIONS CONTENUES DANS CE MANUEL. LE NON-RESPECT DE CES INSTRUCTIONS POURRAIT ÊTRE LA CAUSE D'UN INCENDIE OU D'UNE EXPLOSION CAUSANT DES DÉGÂTS MATÉRIELS, DES BLESSURES PERSONNELLES OU LA PERTE DE VIE.

### DÉCHARGEUR:

- 0703:** Le déchargeur a un bouton de réglage qui a un minimum/maximum. Tourner le déchargeur dans le sens des aiguilles d'une montre au maximum pour le fonctionnement eau froide/eau chaude. Tourner dans le sens contraire des aiguilles d'une montre au réglage minimum pour le fonctionnement en mode vapeur.
- 1502:** Le déchargeur étant pré-réglé en usine, tout ajustement ne doit être effectué que par un réparateur qualifié.

0703



## PRÉPARATION D'INSTALLATION



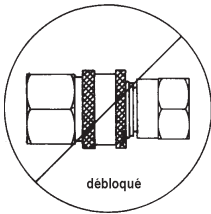
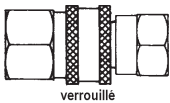
### AVERTISSEMENT

#### RISQUES D'INJECTION PROVOQUANT DES BLESSURES GRAVES

Le pistolet doit toujours être verrouillé en position d'arrêt lorsqu'il est inutilisé.

Ne jamais regarder directement dans l'axe de la buse sauf si elle détachée du pistolet ou de la lance.

### RACCORD RAPIDE

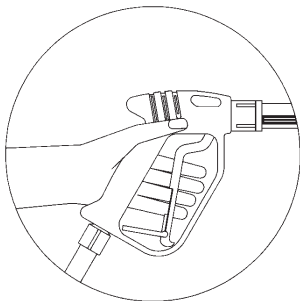


### BUSES À MONTAGE RAPIDE:

Divers types de buses peuvent se monter rapidement à l'extrémité de la lance à pression réglable afin de modifier le profil de pulvérisation ou d'ajouter un détergent. Lors de l'utilisation des raccords rapides (RR), s'assurer que le raccordement est solidement enclenché (voir le schéma 11). En cas contraire, l'eau fortement pressurisée risque de projeter violemment la buse de la lance, causant des blessures graves et des dégâts sérieux. Pour déterminer le profil de pulvérisation (voir le schéma n° 12), se reporter au numéro gravé sur la buse. Les deux premiers chiffres indiquent l'angle de dispersion en degrés, par exemple 00 = 0°, 15 = 15°, 25 = 25°, 40 = 40°.

1. **La buse 0° (ROUGE) (FACULTATIF):** une buse décupante. Elle fournit un jet d'eau très concentré. Faire très attention lorsque ce jet très étroit est utilisé. Il est déconseillé sur les surfaces peintes ou en bois ou sur les objets attachés par un dos adhésif. Utilisations : destruction des herbes dans les fissures des trottoirs, enlèvement des taches récalcitrantes sur le béton, la maçonnerie, l'aluminium et l'acier, des boues desséchées adhérant au matériel et nettoyage du dessous des tondeuses à gazon.
2. **La buse 15° (JAUNE) (STANDARD):** une buse de raclage. La pulvérisation doit être inclinée à 45° par rapport à la surface. Elle agit alors comme un grattoir pour l'enlèvement de la peinture, de la graisse et des saletés. Utilisations : apprêt des surfaces (élimination des taches de moisissure et des écailles de peintures), nettoyage des chéneaux et des tuyaux de descente.
3. **La buse 25° (VERTE) (FACULTATIF):**
  - a. une buse de curage. Son profil de pulvérisation est idéal pour éliminer la poussière, la boue et autre saletés. Utilisations : nettoyage des feuilles mortes sur les trottoirs et les allées, nettoyage du sol des étables, du fond des piscines, dégraissage des moteurs.
  - b. Sur les appareils avec option vapeur, cette buse est utilisée pour fonctionnement vapeur humide à 250°F (121°C). Cette buse est de taille pour fonctionnement avec le déchargeur et la soupape de vapeur (quand applicable) pour fournir une vapeur haute pression humide. Le remplacement de cette buse avec une buse de la mauvaise taille pourrait être la cause de problèmes de fonctionnement de l'appareil.
4. **La buse 40° (BLANCHE) (FACULTATIF):** une buse de lavage. L'angle très large, qui disperse l'eau sur une très grande surface, est recommandé pour les lavages modérés. Utilisations: lavage des revêtements de maisons en aluminium, des automobiles, des trottoirs et des patios.

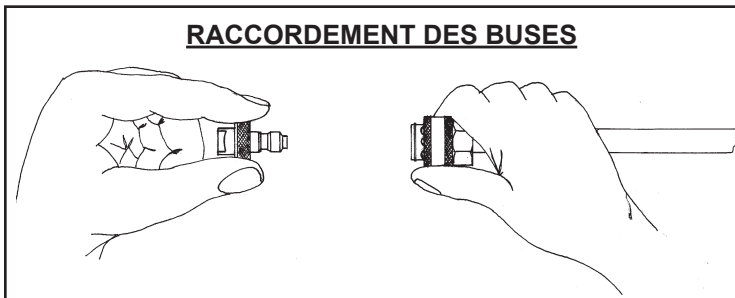
### VERROUILLAGE DU PISTOLET



### RACCORDEMENT DES BUSES:

1. S'assurer que le pistolet est bien verrouillé (position « OFF »).
2. Détacher alors le raccord rapide de lance à pression réglable. Comme montré ci-dessous, rétracter la bague de blocage du raccord rapide pour retirer la buse.

### RACCORDEMENT DES BUSES



## PRÉPARATION D'INSTALLATION

### INSPECTION DE SECURITE AVANT LA MISE EN MARCHÉ:

1. Avant de mettre l'appareil en marche, effectuer les opérations suivantes :
  - a. Renifler autour de l'appareil pour détecter une odeur de gaz éventuelle. Si l'on sent le gaz, **NE PAS DÉMARRER L'APPAREIL !** Se reporter aux avertissements en page 32 «Risques d'incendie ou d'explosion »
  - b. Vérifier le serrage de tous les raccords des tuyaux.
  - c. Vérifier qu'il n'y a pas de fuites d'eau ou d'huile.
  - d. S'assurer que les boyaux haute pression ne sont pas vrillés ou coupés et qu'ils ne fuient pas. Si l'on détecte une fuite ou une entaille, **NE PAS UTILISER LE BOYAU !** Le remplacer avant de démarrer l'appareil. Se reporter aux avertissement en page 35 « Risques d'injection ». Veiller à remplacer toutes les pièces endommagées et à corriger tout problème mécanique avant de démarrer l'appareil. Si un dépannage est nécessaire, appeler le service clients.



# **ATTENTION**

**LES PAGES SUIVANTES CONTIENNENT LES INSTRUCTIONS D'UTILISATION ET D'ENTRETIEN.**

**NE PAS UTILISER CE LAVEUR HAUTE PRESSION TANT QUE L'ON A PAS LU ET BIEN COMPRIS TOUTES LES PRÉCAUTIONS ET CONSIGNES DE SÉCURITÉ CONTENUES DANS CE MANUEL. SUIVRE LES INSTRUCTIONS D'ENTRETIEN SPÉCIFIÉES DANS CE MANUEL.**

**UNE UTILISATION INCORRECTE DE CET APPAREIL RISQUE DE PROVOQUER DE GRAVES BLESSURES!!**

**NE MODIFIER CET APPAREIL EN AUCUNE FAÇON!**

## INSTRUCTIONS D'UTILISATION

Une fois que l'appareil a été installé par un technicien qualifié et que l'on a effectué toutes les vérifications de LA LISTE DE VÉRIFICATIONS AVANT LA MISE EN MARCHÉ à la page 49, l'appareil est prêt à l'emploi. Les diverses opérations ci-dessous contribueront à assurer une exploitation sans danger de l'appareil.

### RINÇAGE DU SYSTÈME:

1. Cet appareil comportant un serpentín d'acier, l'eau stagnant dans le serpentín après utilisation va à longue devenir marron ou noire. Cette eau doit être évacuée du système avant sa remise en marche. Cette opération doit se faire alors que le pistolet et la lance à pression réglable **sont démontés**.
  - a. Vérifier que l'eau arrive bien à l'appareil.
  - b. Mettre l'interrupteur de commande en position "POMPE" pour commencer le dispositif de pompage.
  - c. Faire marcher l'appareil pendant 3 à 5 minutes.
  - d. Arrêter l'appareil.
  - e. Arrêtez l'approvisionnement en eau.
  - f. Lorsque le rinçage du système est terminé, brancher le pistolet et la lance à pression réglable au boyau haute pression.

### UTILISATION AVEC EAU FROIDE:

1. Se reporter aux « Avertissements concernant la sécurité », aux pages 32-37 avant de démarrer l'appareil.
2. Repérer les autocollants de sécurité sur l'appareil et respecter leurs consignes.
3. En pointant le pistolet dans une direction n'offrant aucun danger, déverrouiller le pistolet et appuyer sur sa gâchette. L'opérateur doit assurer sa position en prévision d'un recul possible du pistolet lorsque la pompe démarre.
4. Mettre l'interrupteur de commande en position "POMPE" pour démarrer la pompe.
5. Dès que l'appareil est en marche, faire les vérifications suivantes avec le pistolet ouvert:
  - a. S'assurer que le système ne présente aucune fuite d'eau ou d'huile.
  - b. S'assurer que les boyaux haute pression ne fuient pas. En cas de fuites, **NE PAS TOUCHER LE BOYAU A L'ENDROIT OÙ IL FUIT !! ARRÊTER IMMÉDIATEMENT L'APPAREIL!** Remplacer le boyau avant de redémarrer l'appareil. Se reporter aux avertissements « Risque d'injection » à la page 39. Veiller à remplacer toutes les pièces endommagées et à corriger tous les problèmes mécaniques avant de remettre l'appareil en marche.
6. Arrivé à ce point, l'appareil fonctionne comme laveur haute pression à eau froide. Presser la gâchette du pistolet à plusieurs reprises. **NE JAMAIS** placer la main ou les doigts devant la buse, ni regarder directement dans la buse ! L'eau fortement pressurisée risque de provoquer de graves blessures!
7. Le laveur peut fournir une pulvérisation à haute pression sous divers profils en utilisant de l'eau froide. Si l'on souhaite utiliser de l'eau chaude ou bien nettoyer avec l'addition de détergents, se reporter à la page 51 qui indique la marche à suivre.

### ALLUMAGE DE LA VALVE PILOTE:

1. Vérifier que tous les boutons sont en position d'arrêt (OFF).
2. Enlever le réservoir de Gaz de Pétrole Liquéfié de l'appareil. Eloigner ce réservoir aussi loin de l'appareil que le flexible d'alimentation le permet.
3. Ouvrir le robinet du réservoir de Gaz de Pétrole Liquéfié. Tourner le bouton de la vanne de gaz sur la position veilleuse.
4. Appuyer sur le bouton de contrôle et maintenir en position enfoncée. Au bout de 5 secondes, presser fermement sur le bouton rouge d'allumage. Répéter l'opération deux ou trois fois si nécessaire jusqu'à ce que la veilleuse s'allume. Une fois la veilleuse allumée, maintenir le bouton de contrôle enfoncé pendant 1 minute environ.
5. Vérifier par le miroir à l'arrière de l'appareil que la veilleuse reste allumée. Si la veilleuse s'éteint, attendre cinq minutes. Puis répéter l'étape 4 en pressant le bouton de contrôle plus longtemps.



### ATTENTION

**RISQUES DE DÉGÂTS À L'APPAREIL! S'ASSURER QUE LE PISTOLET ET LA LANCE NE SONT PAS RACCORDÉS À L'APPAREIL DURANT LE RINÇAGE DU SYSTÈME. LE RINÇAGE PERMET D'ÉLIMINER DU SYSTÈME TOUS LES DÉPÔTS MINÉRAUX QUI RISQUENT D'OBSTRUER OU D'ENDOMMAGER LE PISTOLET ET LA BUSE ET D'ENTRAÎNER DES RÉPARATIONS CÔUTEUSES.**



### DANGER

**RISQUES D'INJECTION SUSCEPTIBLE DE PROVOQUER DES GRAVES BLESSURES! SE TENIR À DISTANCE DE LA BUSE! NE JAMAIS PLACER LA MAIN OU LES DOIGTS DEVANT LA BUSE! NE PAS POINTER LE PISTOLET EN DIRECTION DE PERSONNES OU D'ANIMAUX!**



### ATTENTION

**RISQUES DE DÉGÂTS NE PAS POINTER LE PISTOLET AU MÊME ENDROIT PENDANT UNE PÉRIODE PROLONGÉE. CELA RISQUE DE CAUSER DES DOMMAGES À L'ENDROIT EXPOSÉ.**



### AVERTISSEMENT

**RISQUE D'EXPLOSION OU D'INCENDIE!**

**SUIVRE LES INSTRUCTIONS EXACTEMENT! SINON, UN INCENDIE OU UNE EXPLOSION PEUT RESULTER CAUSANT DES DÉGÂTS MATÉRIELS, DES BLESSURES PERSONNELLES ET LA PERTE DE VIE.**

## INSTRUCTIONS D'UTILISATION



### AVERTISSEMENT

**RISQUES DE BRÛLURES !**  
L'EAU RISQUE DE DEVENIR BRÛLANTE LORSQU'ON UTILISE L'APPAREIL AVEC DE L'EAU CHAUFFÉE. ÊTRE TRÈS PRUDENT DURANT LES RÉGLAGES DE PRESSION ET DURANT LA MANIPULATION DE L'ENSEMBLE PISTOLET/LANCE.



### IMPORTANT

LORSQUE DE L'EAU FROIDE CIRCULE DANS L'ÉCHANGEUR DE CHALEUR ET QUE LE BRÛLEUR EST ALLUMÉ, DE LA CONDENSATION VA SE FORMER SUR LE SERPENTIN ET S'ÉGOUTTER. ON AURA L'IMPRESSION QUE LE SERPENTIN FUIT, SURTOUT SI LE TEMPS EST FROID ET HUMIDE.

#### UTILISATION AVEC EAU CHAUDE:

1. Suivre la procédure indiquée à la rubrique « Utilisation avec eau froide » et "allumage de la valve pilote" page 49.
2. Déplacer l'interrupteur en position « BRÛLEUR ». Initialement, l'eau commencera à devenir chaude au bout de 60 secondes environ et elle atteindra sa température maximale en 3 minutes environ, sous réserve que l'on continue à appuyer sur la gâchette, vu que le brûleur s'éteint dès que l'on relâche la gâchette.

Arrivé là, l'appareil fonctionne comme laveur haute pression à eau chaude. Faire preuve d'une extrême prudence durant les réglages de pression et durant la manipulation de l'ensemble pistolet/lance afin d'éviter des brûlures.

*NOTE: Pendant la pulvérisation, il est normal que le brûleur chauffe par intermittence. Le commutateur thermique fera cesser la combustion quand la température de l'eau déchargée excédera la température réglée sur le commutateur. La combustion recommencera quand la température de l'eau chutera au dessous du réglage minimum.*

#### FONCTIONNEMENT A LA VAPEUR: (0703 SEULEMENT):

1. Suivre la procédure indiquée à la rubrique « Utilisation avec eau froide » et "allumage de la valve pilote" page 49.
2. Tournez le bouton du déchargeur complètement dans le sens contraire des aiguilles d'une montre au réglage minimum.

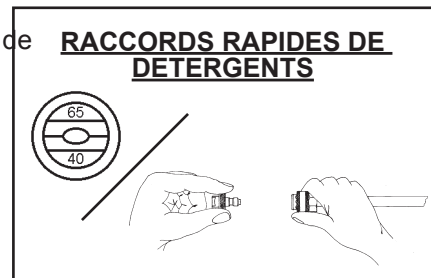
**Après cela, l'appareil fonctionne comme nettoyeur haute pression de vapeur. Soyez extrêmement prudent en réglant la pression et en inspectant le pistolet de déclenchement lance pour éviter la possibilité de brûlures.**

## INSTRUCTIONS D'UTILISATION

### NETTOYAGE AVEC DES DETERGENTS:

Relier l'injecteur de détergents à l'appareil comme indiqué dans le manuel d'injecteur de détergents #AW-8300-0000.

1. Se référer à "Risques de blessures physiques," page 9 et au Manuel Injecteur de Détergents qui accompagne la pièce #AW-8300-0000. Assurez-vous de porter un vêtement de sécurité comme indiqué.
2. Préparer la solution détersive selon les directives de l'étiquette. Jamais d'acides de pompe, alcalines, fluides abrasifs ou de dissolvants dans l'appareil. En raison des produits inconnus souvent corrosifs de beaucoup de détergents généralement utilisés dans l'industrie de nettoyage, il est recommandé d'employer uniquement des détergents doux avec cet appareil.
3. Ajuster la quantité désirée de détergent en trouvant le bouton de réglage qui se trouve au bout du tuyau en vinyl clair près de l'injecteur de détergent. Tourner complètement le bouton dans le sens contraire des aiguilles d'une montre pour régler au taux de siphon maximum.
4. Plonger la crépine dans la solution de détergents pour que le détergent puisse être siphonné.
5. Après avoir verrouillé la détente du pistolet en position d'arrêt (OFF), attacher solidement la buse de pulvérisation de détergent par raccord rapide (#6540° NOIRE) au bout de la lance.

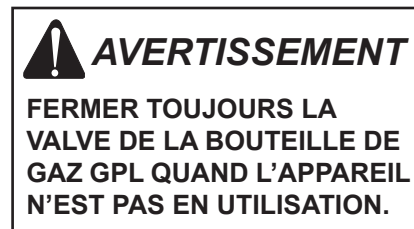


**NOTE:** Ce système d'injection est conçu pour l'application de détergents sous pression basse uniquement. Les solutions de détergents ne pourront être introduites dans le système que si la buse de détergents est installée sur la lance.

6. Pour appliquer la solution; ouvrez le pistolet de déclenchement et presser la gâchette. En quelques instants un mélange de détergent/eau sortira de la buse. Commencer à pulvériser la partie inférieure de la surface à nettoyer et relevez-vous, tout en décrivant de longues courbes. L'application du produit du bas vers le haut aide à éviter les stries. Laisser brièvement imbiber. Éviter de travailler sur les surfaces chaudes ou au soleil pour réduire au minimum les chances du séchage de détergent, qui peut avoir comme conséquence d'abîmer ces surfaces. Appliquer la solution de nettoyage petite section par petite section.
7. Pour rincer: bloquer le pistolet de déclenchement en position d'arrêt (OFF); attacher solidement la buses 40° par raccord rapide dans le bout de la lance. Déverrouiller le pistolet de déclenchement et pulvériser. Cela prendra environ 30 secondes pour purger tout le détergent de la ligne. Pour les meilleurs résultats au rinçage, commencer par le haut et finir par le bas.
8. Siphonner un gallon d'eau par le système d'injection du détergent après chaque utilisation. Cela empêche la corrosion ou le résidu détersif qui pourraient poser des problèmes mécaniques à la prochaine utilisation.

### ARRÊT:

1. Fermer la valve du réservoir de Gaz de Pétrole Liquéfié. Fermer la valve pilote en appuyant sur le bouton de contrôle de la vanne de gaz et en le mettant à l'arrêt.
2. Presser la gâchette et décharger l'eau pendant une période de trois minutes pour refroidir l'échangeur de chaleur et le tuyau à haute pression. (Un temps de refroidissement du tuyau à haute pression insuffisant abîmera le tuyau et augmentera les risques de rupture de celui-ci.)
3. Tourner le commutateur de contrôle jusqu'à la position d'arrêt (OFF) pour arrêter l'élément pompe.
4. Actionner le pistolet momentanément pour relâcher la pression.
5. Attacher solidement le réservoir à l'appareil pour le transport.



## ENTRETIEN D'UTILISATION

### ENTRETIEN PREVENTIF:

**FUITES:** Remédier sans délai à toute fuite dans le système de pompage en démontant les pièces suspectes, en appliquant un mastic d'étanchéité sur le filets et en réinstallant les pièces.

**NOTE :** Si l'on utilise un ruban de Téflon, veiller à ce qu'aucun morceau de ruban ne pénètre à l'intérieur du circuit car il risque de colmater la buse de pulvérisation.

**RACCORDS RAPIDES:** Ces raccords rapides contiennent un joint torique interne qui risque de se détériorer. Pour les remplacer, il suffit d'installer un nouveau joint, ce qui va éliminer les fuites. Des joints toriques peuvent être achetés auprès de votre concessionnaire).

**BUSE:** Le passage de l'eau à travers la buse de pulvérisation va à la longue éroder l'orifice qui va s'élargir et provoquer une baisse de pression. Remplacer les buses dès que la pression tombe à moins de 85 % de la pression maximale. La fréquence de remplacement va dépendre de différents facteurs, tels la teneur de l'eau en sels minéraux et le nombre d'heure d'utilisation de la buse.

### POMPE:

1. Initialement, changer l'huile de la pompe au bout de 50 heures de fonctionnement. Après cette vidange initiale, il suffit de remplacer l'huile tous les 3 mois ou toutes les 250 heures. Si l'huile paraît sale ou laiteuse, des vidanges plus fréquentes peuvent être nécessaires.
2. Repérer le boyau de vidange de l'huile de la pompe.
3. Placer un récipient vide sous l'appareil pour récupérer l'huile usée puis retirer le bouchon de l'orifice de vidange.
4. Attendre que l'huile soit complètement évacuée de la pompe et réinstaller le bouchon de vidange. Se débarrasser de l'huile usée conformément aux réglementations locales, provinciales ou nationales.
5. Remplir le carter de la pompe d'huile pour pompe SAE20 ou 30 non détergent, jusqu'à l'encoche de la jauge. Ne pas trop remplir.

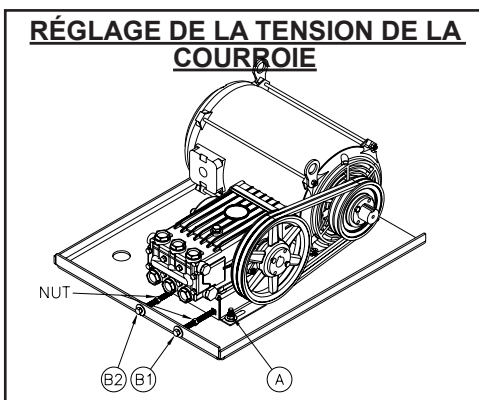
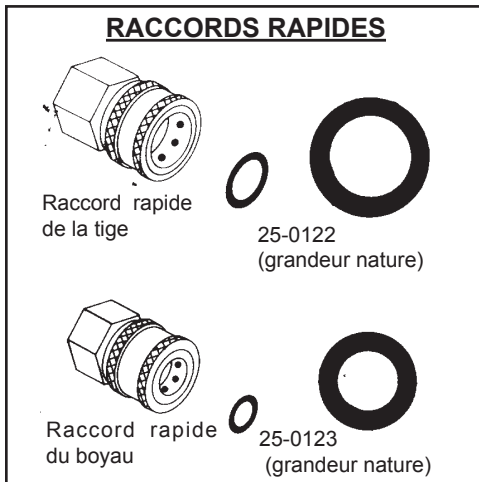
**TENSION DE LA COURROIE:** Arrêtez et débranchez l'appareil et débranché. Ouvrir les loquets et soulever le couvercle pour vérifier que les courroies trapézoïdales ne sont pas usées et qu'elles sont serrées. Le cas échéant, remplacez ou serrez la courroie de la manière suivante:

### REPLACEMENT:

1. Desserrez les quatre boulons de fixation (A).
2. Desserrez les deux écrous d'alignement d'environ un pouce par aux boulons d'alignement (B1 & B2).
3. Poussez la pompe vers le moteur pour détendre la courroie.
4. Remplacez la courroie.

**SERRAGE:** (Si la courroie n'a pas été remplacée, il sera nécessaire de desserrer les boulons B1 et B2 avant de procéder.)

1. Serrez le boulon d'alignement B2. La pompe se déplacera vers la gauche et tendra la courroie. Ensuite, serrez l'écrou du boulon B2.
2. Serrez le boulon d'alignement B1 jusqu'à ce que les poulies s'alignent. (Servez-vous d'une règle pour vérifier l'alignement.)
3. Appuyez sur la courroie trapézoïdale pour vérifier sa tension. Il devrait y avoir entre 1/4 et 1/2 pouce de flexion lorsque la tension est correcte.
4. Lorsque les poulies sont alignées et que la tension est correcte, resserrez l'écrou B1 et les quatre boulons de fixation (A).
5. Si la tension n'est pas correcte, répétez les étapes 6 et 7 jusqu'à obtenir l'alignement et la tension nécessaires. Serrez les quatre boulons de fixation (A) en fin d'opération.
6. Desserrez l'écrou B2, serrez le boulon B2, serrez l'écrou B2.
7. Desserrez l'écrou B1, serrez le boulon B1, serrez l'écrou B1.



## ENTRETIEN D'UTILISATION

### PREPARATION POUR L'HIVER:

Pour le stockage et le transport dans des températures glaciales, il faudra préparer l'appareil pour l'hiver. Cet appareil doit être protégé aux plus basses températures pour les raisons suivantes:

- a. si n'importe quelle partie du système de pompage venait à geler; un trop-plein de pression pourrait s'accumuler dans l'appareil, ce qui pourrait le faire éclater, il en résulterait des blessures graves pour l'utilisateur ou des tiers.
- b. le système de pompage de cet appareil peut être endommagé de manière permanente si il gèle. Les DOMMAGES de GEL NE SONT PAS COUVERTS PAR LA GARANTIE.

Si vous devez entreposer votre appareil dans un endroit où la température peut tomber en dessous de 32°F (0°C) vous pouvez tout de même protéger votre appareil en utilisant la procédure ci-dessous.

1. Rassemblez les éléments suivants:
  - a. deux récipients de 5 gallons (19l).
  - b. un gallon d'antigel. (employez un antigel qui protège l'environnement.)
  - c. un approvisionnement d'eau.
  - d. un tuyau de trois pieds (0.9 m), 1/2-3/4 ID avec un adaptateur male de 3/4 inch (19mm) pour tuyau de jardin .
2. Procédure:
  - a. pour commencer la préparation pour l'hiver, l'appareil doit être mis en marche selon "Démarrage/ Fonctionnement à l'eau froide" exposé page 49.
  - b. après la mise en route, coupez l'appareil et l'alimentation en eau.
  - c. relâcher la pression du système en dirigeant le pistolet de déclenchement dans une direction sûre et en pressant la gâchette jusqu'à ce que l'eau cesse de couler de la lance.
  - d. bloquez le pistolet de déclenchement en position "OFF" et régler la lance sur le mode de basse pression.

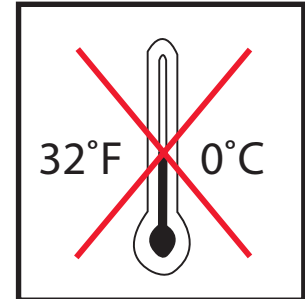
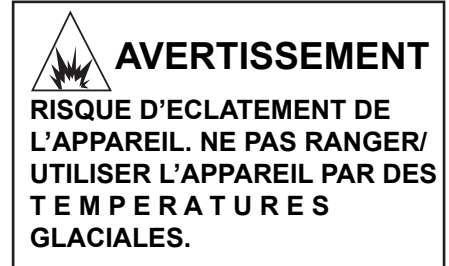
**NOTE:** La préparation pour l'hiver correcte se base sur les instructions du fabricant énumérées sur le "tableau de protection" visible sur l'étiquette arrière de la plupart des récipients d'antigel.

- e. Enlever le tuyau d'alimentation en eau de l'appareil et bien attacher le tuyau de 3 pieds (91cm) au raccord d'admission.
- f. Fermer l'injecteur en détergent (si applicable).
- g. Remplir un récipient de 5 gallons (19 litres) avec de l'eau.
- h. Tout en tenant le tuyau de 3 pieds (91 cm) en position droite, le remplir entièrement avec de l'eau. Puis boucher le côté ouvert du tuyau avec votre pouce ou doigt. Mettre le côté bouché dans le récipient d'eau de 5 gallon (19 litres).
- i. Mettre l'appareil en marche. Déclencher le pistolet plusieurs fois jusqu'à ce que tout l'air soit expulsé (l'appareil sera amorcé).
- j. Avec le pistolet à gâchette en position ouverte, siphonner assez d'eau du récipient de 5 gallons (91 cm) jusqu'à ce qu'il en reste juste assez pour mélanger avec l'antigel.
- k. Diriger le pistolet à gâchette dans le récipient vide. (Veiller toujours à porter des vêtements de protection pour vous protéger contre les éclabousses.)
- l. Appuyer sur la gâchette du pistolet jusqu'à ce que l'antigel commence à sortir du pistolet. Relâcher la gâchette pendant 3 secondes, puis appuyer sur la gâchette pendant 3 secondes. Répéter ce cycle du pistolet plusieurs fois jusqu'à ce que tout le mélange d'antigel soit siphonné du récipient .
- m. Mettre l'appareil à l'arrêt.
- n. Détacher le tuyau de 3 pieds (91 cm) de l'appareil et vider tout excès d'antigel dans le récipient de 5 gallons (19 litres).

### SOUFFLAGE À L'AIR COMPRIMÉ:

1. Enlevez l'embout de la lance. Appuyez sur la gâchette jusqu'à ce que l'eau cesse de s'écouler de la lance.
2. Raccordez un flexible à air comprimé au raccord de la crépine du réservoir d'eau.
3. Passez le système à l'air comprimé jusqu'à ce que toute eau ait été chassée du système.

Manuel de l'utilisateur - Laveur haute pression à eau chaude,





## ENTRETIEN D'UTILISATION

### TABLEAU DE MAINTENANCE PRÉVENTIVE PAR L'OPÉRATEUR

Procédure	Quotidi- ennement	3 mois	6 mois	9 mois	12 mois
Absence de fuites de gaz	X				
Absence de fuites d'eau	X				
Absence de fuites d'huile	X				
Inspection raccords rapides et boyaux	X				
Vérification niveau d'huile pompe	X				
*Vidange pompe		X	X	X	X
Vérification tension courroie		X	X	X	X
Remplacement buse haute pression		X	X	X	X
Vérification pression d'eau			X		X
Vérification température d'ea			X		X

\* Changer initialement l'huile de la pompe au bout de 50 heures de fonctionnement, puis au moins tous les 3 mois ou toutes les 250 heures de fonctionnement, l'intervalle le plus court étant pris en compte.

### TABLEAU DE MAINTENANCE EFFECTUEE PAR LE CONCESSIONNAIRE

Procédure	Annuellement
Inspection de l'alimentation en gaz	X
Nettoyage des branches de condensation de la conduite de gaz	X
Inspection du brûleur	X
Inspection de l'évacuation	X
*Détartrage du serpentin	X
Mesure de la tension et de l'ampérage	X

\* L'entartrage va varier en fonction de la minéralisation de l'eau et de l'utilisation de l'appareil. Le détartrage peut être mensuel aussi bien qu'annuel.



## GUIDE DE DÉPANNAGE

SYMPTÔME	CAUSE PROBABLE	SOLUTION
Le moteur ne tourne pas.	Surcharge du circuit.  Surcharge du moteur.	Déterminer si de mise sous tension est allumé. S'il ne l'est pas, inspecter le fusible ou le disjoncteur du circuit.  Réarmer le déclencheur thermique de surcharge du moteur de la pompe ou celui se trouvant dans l'armoire électrique. Appeler le service clients.
Rien ne sort de la buse lorsqu'on presse la gâchette.	L'arrivée d'eau est coupée.	Vérifier l'alimentation en eau. Augmenter la taille du boyau et fournir une alimentation adéquate (23 litres/mn sous 140 kPa).
Pression basse ou fluctuante.	Alimentation en eau inadéquate. La pompe aspire de l'air (désamorçage).  La vanne de détergent haute pression est ouverte alors que l'extrémité du boyau n'est pas immergée dans le détergent (crée une perte d'aspiration qui désamorce la pompe).  Le boyau haute pression est vrillé.  La poignée réglable de la double lance n'est pas en position haute pression.  Buse de pulvérisation obstruée ou usée.	Resserrer tous les raccords au niveau de l'arrivée d'eau et éliminer toutes les fuites éventuelles dans la conduite d'alimentation en eau.  Fermer la vanne ou immerger le boyau de détergent dans la solution. Réamorcer la pompe.  Remplacer le boyau haute pression vrillé.  Tourner la poignée <b>dans le sens antihoraire</b> pour passer en mode haute pression.  Retirer, nettoyer ou remplacer.
L'huile mousse ou paraît laiteuse.	Vanne de la pompe endommagée ou usée.	Retirer, nettoyer ou remplacer.
Fuite d'huile au niveau de la pompe.	La garniture de la pompe est usée.	Remplacer la garniture.
Aucun siphonnage du détergent.	La vanne du déchargeur/de dérivation ne fonctionne pas correctement.  Présence d'eau dans l'huile.  Joints ou joints toriques usés.  Le filtre à détergent n'est pas complètement submergé dans la solution détergente.	Réparer ou remplacer.  Changer l'huile de la pompe. Remplir au niveau correct.  Consulter le service clients.  Inspecter, submergé si nécessaire.
De l'eau s'introduit dans le récipient contenant le détergent.	Le filtre à détergent est colmaté.	Inspecter, nettoyer ou remplacer.
De l'eau sort de la buse même lorsque la gâchette est verrouillée en position fermée.	Le boyau de détergent est fissuré, colmaté ou vrillé.  La molette de dosage du détergent est en position « OFF » (arrêt).  La bille ou le ressort intégré au filtre sont corrodés ou manquants.  Le pistolet fonctionne mal.	Inspecter, nettoyer ou remplacer  Ouvrir la molette de dosage. Se reporter à « Nettoyage avec addition de détergents ».  Réparer ou remplacer.  Réparer ou remplacer.

## GUIDE DE DÉPANNAGE

SYMPTÔME	CAUSE PROBABLE	SOLUTION
On sent une odeur de gaz aux environs de l'appareil avant la mise en marche.	Présence d'une fuite de gaz.	D'un autre local, appeler la compagnie du gaz pour obtenir les instructions nécessaires, ou à défaut de la compagnie du gaz, appeler les pompiers.
Le brûleur ne s'allume pas.	L'interrupteur n'est pas en position «BRÛLEUR ». La gâchette est en position fermée. Interrupteur de limite supérieure est défectueux L'interrupteur de limite supérieure s'est activé. Plus de carburant  Obstruction de la ligne de gaz. La valve pilote est éteinte. Défaillance de la vanne de gaz. La valve pilote manuelle est fermée.	Vérifier la position de l'interrupteur. Presser sur la gâchette du pistolet. Remplacer l'interrupteur. L'appareil redémarrera automatiquement après refroidissement. S'assurer que la valve de gaz est ouverte. Vérifier le réservoir de Gaz de Pétrole Liquéfié. Le remplir si vide. Vérifier la pression de gaz. Allumer la veilleuse. Remplacer. Ouvrir la valve pilote.
La veilleuse ne s'allume pas.	Fuite de gaz au niveau de la valve pilote. Vérifier la bougie d'allumage piezo. La veilleuse est trop éloignée du thermocouple.	Appeler un réparateur qualifié. Appeler un réparateur qualifié. Appeler un réparateur qualifié.
La veilleuse s'allume mais ne reste pas allumée quand le bouton d'alimentation de gaz est relâché.	Le thermocouple est desserré au niveau de la valve de sûreté du régulateur. Chaleur excessive provenant de la veilleuse.	Appeler un réparateur qualifié. Diminuer l'alimentation en gaz de la veilleuse.
Courte durée de vie du thermocouple.	Le thermocouple est trop près de la veilleuse. Condensation.	Appeler un réparateur qualifié. Peut se produire lors de conditions froides et humides.
De l'eau fuit sous le serpentín de l'échangeur de chaleur.	Fissure du serpentín de l'échangeur de chaleur.	Remplacer le serpentín.

## BON DE GARANTIE

Le fabricant garantit toutes les pièces (hormis les pièces indiquées ci-dessous) de votre laveur haute pression contre tout défaut de matériau ou de main d'oeuvre pendant les périodes suivantes:

Pour une vie de la congélation et de fendre:  
Collecteur de la pompe

Pendant sept (7) ans à compter de la date d'achat initial :  
la pompe haute pression

Pendant cinq (5) ans à compter de la date d'achat initial :  
le serpentín de l'échangeur de chaleur

Pendant deux (2) ans à compter de la date d'achat initial :  
les écrans et dispositifs de protection      le châssis  
la tuyauterie      les poulies

Pendant un (1) an à compter de la date d'achat initial :  
la vanne de gaz      le transformateur du circuit de commande

Pendant quatre-vingt dix (90) jours à compter de la date d'achat initial :  
Soupape de déchargement      Interrupteur de pression  
Assemblage d'allumage      Thermostat Haute Limite

Pendant trente (30) jours à compter de la date d'achat initial :  
le boyau haute pression      le pistolet  
les filtres      la tige

Les pièces défectueuses, si elles ne sont pas normalement sujettes à usure, seront réparées ou remplacées à notre choix durant la période de garantie. Dans tous les cas, le remboursement sera limité au prix d'achat de la pièce en question.

## EXCLUSIONS

1. Le moteur est couvert par la propre garantie de son fabricant et il est sujet aux termes de la garantie en question.
2. Pièces d'usure :  
Garniture de la pompe      Vanne de la pompe  
Raccords rapides      Buses de pulvérisation      Vannes de détergent
3. Cette garantie ne couvre pas les dommages résultant d'une usure normale, d'une utilisation incorrecte ou abusive, à des vitesses, des pressions et des températures autres que celles recommandées. Les pièces endommagées ou usées par suite de l'utilisation de liquides caustiques ou d'un fonctionnement dans un environnement abrasif ou corrosif ou dans des conditions entraînant une cavitation de la pompe ne sont pas garanties. L'inobservation des procédures d'exploitation et d'entretien recommandées annule également la garantie.
4. L'utilisation de pièces autres que d'authentiques pièces de rechange annulera la garantie. Les pièces retournées à notre usine ou à un centre de réparation agréé seront inspectées et remplacées gratuitement si elles s'avèrent être défectueuses et couvertes par la garantie. Aucune garantie ne sera étendue au-delà de termes stipulés sur le présent document. Le fabricant ne pourra en aucun cas être tenu responsable du manque à gagner dû à la non utilisation de l'appareil, au temps perdu ou à la perte de locations, des dérangements causés, des pertes commerciales ou des dommages indirects.

## TABLA DE CONTENIDO

<b>INTRODUCCIÓN .....</b>	<b>59</b>
<b>ADVERTENCIAS DE SEGURIDAD IMPORTANTES .....</b>	<b>60-65</b>
RIESGO DE EXPLOSIÓN O INCENDIO .....	60
RIESGO DE ASFIXIA .....	61
RIESGO DE ELECTROCUCIÓN O CHOQUE ELÉCTRICO .....	62
RIESGO DE INYECCIÓN O LESIÓN SEVERA POR CORTADURA .....	63
RIESGO DE QUEMADURAS .....	64
RIESGO DE EXPLOSIÓN .....	64
RIESGO POR PIEZAS EN MOVIMIENTO .....	64
RIESGO DE LESIÓN CORPORAL .....	65
<b>CARACTERÍSTICAS .....</b>	<b>66-67</b>
<b>INSTRUCCIONES DE INSTALACIÓN .....</b>	<b>68-72</b>
INSTALACIÓN .....	68
ELÉCTRICA .....	69
SUMINISTRO DE AGUA .....	70
CONEXIÓN DE ALTA PRESIÓN .....	70
INSPECCIÓN Y VERIFICACIÓN DE CONDICIONES .....	71
LISTA DE VERIFICACIÓN PREOPERATIVA .....	72
<b>INSTRUCCIONES DE PREPARACIÓN .....</b>	<b>73-75</b>
VESTIMENTA .....	73
PRE-ENCENDIDO .....	73
DESCARGADOR .....	73
BOQUILLAS DE CONEXIÓN RÁPIDA .....	74
CONEXIÓN DE BOQUILLAS .....	74
INSPECCIÓN DE SEGURIDAD ANTES DEL ENCENDIDO .....	75
<b>INSTRUCCIONES DE OPERACIÓN .....</b>	<b>77-79</b>
ENJUAGUE DEL SISTEMA .....	77
OPERACIÓN CON AGUA FRÍA .....	77
ENCIENDA VÁLVULA PILOTA .....	77
OPERACIÓN CON AGUA CALIENTE .....	78
OPCIÓN DE VAPOR .....	78
LAVADO CON DETERGENTES .....	79
APAGADO .....	79
<b>INSTRUCCIONES DE MANTENIMIENTO .....</b>	<b>80-81</b>
MANTENIMIENTO PREVENTIVO .....	80
PREPARACIÓN PARA EL INVIERNO .....	81
<b>TABLAS DE MANTENIMIENTO .....</b>	<b>82</b>
<b>DIAGNÓSTICO Y SOLUCIÓN DE FALLAS .....</b>	<b>83-84</b>
<b>INFORME DE GARANTÍA .....</b>	<b>85</b>

### **⚠ ADVERTENCIA**

⚠ **ADVERTENCIA:** Este producto puede exponerlo a productos químicos, incluido el plomo, que el Estado de California conoce a causar cáncer y defectos congénitos u otros daños reproductivos. Para obtener más información, visite [www.P65Warnings.ca.gov](http://www.P65Warnings.ca.gov)

### **⚠ ADVERTENCIA**

⚠ **ADVERTENCIA:** Este producto puede exponerle a químicos incluyendo carbon monoxide, que es conocido por el Estado de California como causante de defectos de nacimiento u otros daños reproductivos. Para mayor información, visite [www.P65Warnings.ca.gov](http://www.P65Warnings.ca.gov).

#### **CÓDIGOS NACIONALES:**

**CÓDIGO NACIONAL DE GAS COMBUSTIBLE**

**ANSI Z223.1 (NFPA No. 54)**

**CÓDIGO NACIONAL ELÉCTRICO NFPA No. 70 (NEC)**

**CÓDIGO DE INSTALACIÓN DE GAS-NUMERO CSA B149.1**

**CÓDIGO CANADIENSE ELÉCTRICO**

**PARTE 1 - NUMERO CSA C22.1**

## INTRODUCCIÓN

Felicitaciones por haber adquirido su nueva lavadora de presión. Puede estar seguro de que su lavadora de presión fue construida y diseñada pensando en la calidad y la eficacia de funcionamiento. Cada componente ha sido probado rigurosamente para asegurar el nivel más alto de confiabilidad.

Este manual del operador fue preparado para su beneficio. Si lee y sigue los sencillos pasos de seguridad, instalación, operación y mantenimiento, así como de diagnóstico y solución de fallas que se describen en este manual, su nueva lavadora de presión le ofrecerá muchos años de operación sin problemas. El contenido de este manual se basa en la información más reciente del producto, disponible al momento de la publicación. Manufacturar se reserva el derecho de hacer cambios de precio, color, materiales, equipo, especificaciones o modelos en cualquier momento sin previo aviso.

### ¡IMPORTANTE!

Estos párrafos están rodeados por un “CUADRO DE AVISO DE SEGURIDAD”. Este cuadro se usa para especificar y enfatizar las advertencias de seguridad que se deberán cumplir al operar esta lavadora a presión. Junto con las Advertencias de Seguridad se encuentran “palabras clave” que designan el grado o nivel de riesgo. Las “palabras clave” usadas en este manual son las siguientes:

**PELIGRO:** Indica una situación inminentemente peligrosa que, de no evitarse, CAUSARÁ lesiones graves o fatales.



**ADVERTENCIA:** Indica una situación potencialmente peligrosa que, de no evitarse, PODRÍA causar lesiones graves o fatales.



**PRECAUCIÓN:** Indica una situación potencialmente peligrosa que, de no evitarse, PODRÍA causar una lesión menor o moderada.



Los símbolos a la izquierda de este párrafo son “símbolos de aviso de seguridad”. Estos símbolos se usan para señalar puntos o procedimientos que podrían ser peligrosos para usted o para otras personas que usen este equipo.



Siempre proporcione una copia de este manual a quien use este equipo, lea todas las instrucciones antes de operar esta lavadora a presión y especialmente señale las “advertencias de seguridad” para prevenir posibles lesiones al operador.

Una vez que haya sacado la unidad de su caja, anote inmediatamente el número de serie en el espacio proporcionado a continuación.

Número de serie: \_\_\_\_\_

Debe inspeccionar el equipo para determinar si hay señales de daño evidente u oculto ocurrido durante la transportación. Si se encuentra algún daño, presente una queja con la compañía de transportación inmediatamente. Asegúrese de que todas las partes dañadas sean reemplazadas y que los problemas mecánicos y eléctricos sean corregidos antes de operar la unidad. Si requiere de servicio, llame a la oficina de servicio al cliente.

Por favor, prepare la siguiente información cada vez que efectúe una llamada de servicio:

1. Número de modelo
2. Número de serie
3. Fecha y lugar de compra



## INSTRUCCIONES DE SEGURIDAD IMPORTANTES

**PELIGRO:** Deben observarse siempre las precauciones básicas, incluyendo las siguientes.  
LEA TODAS LAS ADVERTENCIAS DE SEGURIDAD ANTES DE INSTALAR Y USAR LA LAVADORA A PRESIÓN

### ADVERTENCIA: RIESGO DE EXPLOSIÓN O INCENDIO



1. En la instalación de esta unidad, incluyendo toda la tubería de gas, deben cumplirse todos los códigos y reglamentos locales, estatales y nacionales (entre las normas a seguir está el código nacional de gas combustible ANSI Z223.1/NFPA No. 54. En Canada; Refiera al código de instalación de gas en numero CSA B149.1).
2. Use el combustible apropiado (L.P. gas vaporizado) para la máquina que esté usando.
3. No conecte las líneas de gas a la lavadora de presión antes de probar la presión de la tubería de gas, ya que se podría dañar la válvula de gas.
4. No ajuste la presión de gas a un nivel superior a los recomendados. Una presión excesiva puede causar daños a la válvula.
5. Los modelos de propano líquido están diseñados para operar con propano vaporizado como combustible. **No los opere con combustible líquido.**
6. No reemplace ni reabastezca el tanque de propano líquido mientras esté funcionando el aparato.
7. Si percibe olor a gas, apague las llamas descubiertas y revise todas las uniones con una solución jabonosa. Si el olor persiste, cierre la válvula principal de suministro de gas y llame al técnico de servicio.
8. El gas de propano líquido es más pesado que el aire y se asentará por el piso. En la instalación de sistemas de propano líquido debe considerarse siempre espacio suficiente en el piso y ventilación adecuada, y debe buscarse olor a gas en el piso antes de operar. No opere el aparato si percibe olor a gas.
9. Nunca exponga una chispa o llama donde estaría presente de gasolina sin quemada.
10. Nunca trate a encender luz de piloto a menos que válvula manual de piloto ha apagado por 5 minutos.
11. Utilice solamente su mano para empujar hacia adentro o para dar vuelta a la perilla de control del gas. Nunca utilice una herramienta. Si la perilla no empuja hacia adentro ni da vuelta a mano, no intente repararla; llame a técnico cualificado del servicio.
12. Nunca deje desatendida la máquina si está en funcionamiento.
13. Nunca opere unidad con tanque de propano líquido en estante de la unidad. Muera el tanque de propano líquido la más distancia afuera de unidad que permita por la manguera.
14. Al mantener esta máquina, tenga especialmente cuidado de apagar correctamente la fuente de gas.
15. Opere o instale la lavadora de presión donde se permitan llamas descubiertas y sopletes.
16. Siempre opere la lavadora de presión en un área bien ventilada, libre de vapores inflamables y materiales combustibles como polvos o gases.
17. No permita que se acumule pelusa o polvo cerca del quemador.
18. ¡No use esta lavadora de presión para rociar líquidos inflamables! Los líquidos inflamables pueden generar humos que se pueden incendiar.
19. Esta lavadora de presión tiene varios dispositivos de seguridad que nunca deben modificarse, quitarse o anularse. Si uno de estos dispositivos falla, reemplácelo inmediatamente usando solamente piezas de repuesto genuinas del fabricante original.

Pueden ocurrir lesiones graves o fatales debido a una instalación inadecuada.

Pueden ocurrir lesiones graves o fatales a causa de fugas de gas

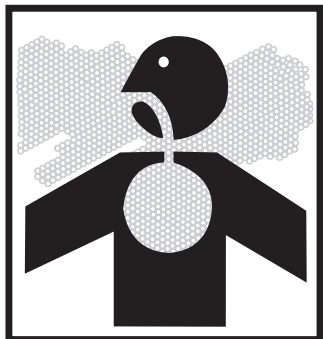
Pueden ocurrir lesiones graves o fatales ocasionadas por chispas normales en las fuentes de ignición múltiples.

Pueden ocurrir lesiones graves o fatales si no se mantienen correctamente los dispositivos de seguridad del sistema.

## INSTRUCCIONES DE SEGURIDAD IMPORTANTES

**PELIGRO:** Deben observarse siempre las precauciones básicas, incluyendo las siguientes.  
LEA TODAS LAS ADVERTENCIAS DE SEGURIDAD ANTES DE INSTALAR Y USAR LA LAVADORA A PRESIÓN

### ADVERTENCIA: RIESGO DE ASFIXIA



1. Para la instalación de esta unidad, e inclusive para la ventilación de los gases de combustión debe cumplirse con todos los códigos y reglamentos locales, estatales y nacionales (las normas que deben seguirse incluyen el código nacional de gas combustible de ANSI Z223.1/NFPA No.54. En Canada; Refiera al código de instalación de gas en numero CSA B149.1).
2. Siempre asegúrese que la ventilación sea adecuada (aire puro del exterior) para respiración y combustión. Esto evitará la acumulación de gases peligrosos como monóxido de carbono. Tenga cuidado en áreas de ventilación escasa, o áreas con ventiladores de extracción que no realicen intercambio de aire adecuado.
3. Si hay olor de gas, parar el suministro de gas al aparato, extinguir algunas llamas abiertas, y examinar todas conexiones con un solución de jabón. Si el olor continua, llamar su proveedor de gas inmediatamente.
4. Siga todas las instrucciones de seguridad que se proporcionan con los materiales que va a rociar. Puede requerirse el uso de un respirador cuando se trabaja con ciertos materiales. No use esta lavadora de presión para rociar materiales peligrosos.

Puede haber riesgo de lesiones graves o fatales a causa de la inhalación del gas de escape del quemador o ciertos vapores peligrosos.



## INSTRUCCIONES DE SEGURIDAD IMPORTANTES

**PELIGRO:** Deben observarse siempre las precauciones básicas, incluyendo las siguientes.  
LEA TODAS LAS ADVERTENCIAS DE SEGURIDAD ANTES DE INSTALAR Y USAR LA LAVADORA A PRESIÓN

### ADVERTENCIA: RIESGO DE ELECTROCUCIÓN O CHOQUE ELÉCTRICO



1. Este producto debe conectarse a tierra. Asegúrese de que la lavadora a presión esté equipada con un Interruptor de circuito de falla a tierra (Ground Fault Circuit Interrupter, GFCI) incorporado en el cordón de alimentación. Si no lo tiene, debe conectarse la lavadora a presión únicamente en un receptáculo que esté protegido por un Interruptor de circuito de falla a tierra. Desconéctela cuando no esté en uso.
2. Este producto se proporciona un interruptor de tierra del circuito de la avería construido en el enchufe del cable eléctrico. Si las piezas de recambio del enchufe o de la cuerda son necesarias, utilice solamente las piezas de recambio idénticas.
3. Esta unidad tiene que conectar a un sistema permanente de eléctrica de la tierra o un conductor del equipo de la tierra tiene que funcionar con los conductores de circuito y conectar al principal del equipo de la tierra en la unidad.
4. Asegúrese que la lavadora de presión esté conectada a una fuente con toma de tierra adecuada, que proporcione el voltaje correcto y tenga la protección adecuada de fusible. Desconecte de la fuente de energía cuando no use el aparato y cuando haga reparaciones.
5. Nunca opere la lavadora de presión con sus compartimentos abiertos o con tapas quitadas o dañadas.
6. No toque la máquina cuando esté parado en piso mojado o con las manos mojadas. Nunca permita que la fuente de alimentación eléctrica o las conexiones hagan contacto con el agua. No toque el enchufe con las manos mojadas.
7. No rocíe directamente sobre instalaciones eléctricas. Esto incluye contactos eléctricos, bombillas, cajas de fusibles, transformadores y la unidad misma.
8. No permita que los componentes metálicos de la lavadora de presión hagan contacto con componentes eléctricos vivos.
9. Cualquier cableado o reparación del sistema eléctrico debe realizarlo un técnico de servicio autorizado y de acuerdo con los códigos eléctricos locales y nacionales.
10. Antes de abrir un gabinete eléctrico, siempre apague la lavadora de presión, libere la presión y desconecte la lavadora de la fuente de alimentación. Permita que la lavadora de presión se enfríe. Nunca suponga que la lavadora de presión es segura, solamente porque no está en operación. Podría encenderse en cualquier momento.

Serious injury or death could result from improper installation.

Pueden sufrirse lesiones graves o fatales si la lavadora de presión no está correctamente conectada a tierra. Su lavadora de presión tiene alimentación de electricidad y puede causar choques eléctricos o electrocución si no se usa correctamente.

Puede sufrirse choque eléctrico si la lavadora de presión no se opera correctamente.

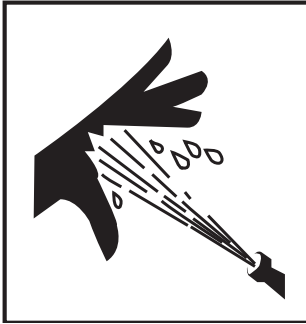
Puede sufrirse una lesión grave o fatal si se hace contacto con el circuito eléctrico.

Puede sufrirse una lesión grave o fatal si se intenta hacer una reparación eléctrica sin haber recibido la capacitación necesaria.

## INSTRUCCIONES DE SEGURIDAD IMPORTANTES

**PELIGRO:** Deben observarse siempre las precauciones básicas, incluyendo las siguientes.  
LEA TODAS LAS ADVERTENCIAS DE SEGURIDAD ANTES DE INSTALAR Y USAR LA LAVADORA A PRESIÓN

### ADVERTENCIA: RIESGO DE INYECCIÓN O LESIÓN SEVERA POR CORTADURA GRAVE






1. Manténgase apartado de la boquilla y del líquido rociado. Nunca ponga la mano, los dedos o el cuerpo directamente enfrente de la boquilla de rocío.
2. Nunca apunte la descarga de alta presión hacia su cuerpo o hacia otra persona.
3. Este producto debe ser usado solamente por operadores capacitados.
4. Siempre mantenga el área de operación despejada de personas.
5. Para reducir el riesgo de lesiones graves, es necesario para tener supervisión bueno cuando usando este equipo cerca de niños. No permita que algún niño opere esta unidad.
6. **CONSIGA ATENCIÓN MÉDICA INMEDIATA** si el rocío parece haber penetrado la piel. **NO TRATE LA HERIDA COMO UNA SIMPLE CORTADURA.** Prepárese para explicar al médico exactamente qué tipo de agentes limpiadores está usando, leyendo la hoja de especificaciones de seguridad del material (MSDS) que viene con su detergente.
7. Las mangueras de alta presión deben ser inspeccionadas diariamente para detectar señales de desgaste. Si existe riesgo de roturas, reemplace todas las mangueras sospechosas para prevenir lesiones causadas por el rocío a alta presión. Si una manguera o conector tiene fuga, **NUNCA PONGA LA MANO DIRECTAMENTE SOBRE LA FUGA.**
8. Antes de usar la lavadora de presión, o cuando use conectores rápidos para las mangueras y boquillas de alta presión, asegúrese que el "collar" de la conexión hembra esté firmemente trabado para prevenir una descarga accidental, y asegúrese que todos los conectores estén bien trabados.
9. **NUNCA** opere la pistola con el gatillo fijado en la posición abierta. Para prevenir una descarga accidental la pistola debe estar trabada firmemente cuando no se use.
10. Antes de retirar la boquilla de rocío o dar servicio a la unidad, apague la unidad y tire del gatillo de la pistola para liberar la presión. (Aun cuando apague la unidad, todavía quedará agua a alta presión en la bomba, la manguera y la pistola hasta que la libere jalando el gatillo de la pistola.)

Hay riesgo de una lesión grave o fatal por penetración de la piel al rociar líquido a alta presión.

## INSTRUCCIONES DE SEGURIDAD IMPORTANTES

**PELIGRO:** Deben observarse siempre las precauciones básicas, incluyendo las siguientes.  
LEA TODAS LAS ADVERTENCIAS DE SEGURIDAD ANTES DE INSTALAR Y USAR LA LAVADORA A PRESIÓN

<p><b>ADVERTENCIA: RIESGO DE QUEMADURAS</b></p> 	<ol style="list-style-type: none"> <li>1. Nunca permita que alguna parte del cuerpo haga contacto con el intercambiador de calor o la tubería de escape.</li> </ol>	<p>Pueden sufrirse lesiones graves si se toca el intercambiador de calor o la tubería de escape. Estas áreas pueden permanecer calientes por algún tiempo después de haber apagado la lavadora de presión.</p>
<p><b>ADVERTENCIA: RIESGO DE EXPLOSIÓN</b></p> 	<ol style="list-style-type: none"> <li>1. Nunca haga ajustes a las presiones que se hayan ajustado en la fábrica.</li> <li>2. Si el quemador no se apaga, cierre la válvula de suministro de gas y llame al técnico de servicio.</li> <li>3. Nunca se exceda de las presiones máximas permitidas por los fabricantes de los aditamentos.</li> <li>4. Nunca permita que las mangueras hagan contacto con el intercambiador de calor, para prevenir la posibilidad de que revienten. No arrastre las mangueras sobre superficies abrasivas como el cemento.</li> <li>5. Use solamente repuestos recomendados por el fabricante para su lavadora de presión.</li> <li>6. En temperaturas de congelación, la unidad debe estar suficientemente caliente para prevenir que se forme hielo en el interior. No encienda la lavadora de presión sin antes permitir que se descongele completamente.</li> </ol>	<p>Pueden sufrirse lesiones graves a causa de mal funcionamiento de la lavadora de presión o explosión de accesorios si se usan componentes, aditamentos o accesorios incorrectos.</p> <p>Pueden sufrirse lesiones graves o fatales si se intenta encender la lavadora a presión cuando se encuentra congelada.</p>
<p><b>ADVERTENCIA: RIESGO POR PARTES EN MOVIMIENTO</b></p> 	<ol style="list-style-type: none"> <li>1. No opere la unidad sin sus tapas protectoras ni haga ajustes sin apagar la lavadora, liberar la presión y desconectarla de la fuente de alimentación. Permita que la lavadora se enfríe. Nunca suponga que la lavadora de presión es segura, solamente porque no está en operación. Podría encenderse en cualquier momento.</li> </ol>	<p>Pueden sufrirse lesiones graves si el operador hace contacto con piezas en movimiento de la lavadora de presión.</p>

## INSTRUCCIONES DE SEGURIDAD IMPORTANTES

**PELIGRO:** Deben observarse siempre las precauciones básicas, incluyendo las siguientes.  
LEA TODAS LAS ADVERTENCIAS DE SEGURIDAD ANTES DE INSTALAR Y USAR LA LAVADORA A PRESIÓN

**ADVERTENCIA: RIESGO DE LESIONES**



1. CONSIGA ATENCIÓN MÉDICA DE EMERGENCIA si el rocío parece haber penetrado la piel. NO TRATE LA HERIDA COMO UNA SIMPLE CORTADURA. Prepárese para explicar al médico exactamente qué tipo de agentes limpiadores estaba usando, leyendo la hoja de especificaciones de seguridad del material (MSDS) proporcionada con su detergente.
2. Nunca use solventes o detergentes altamente corrosivos o limpiadores ácidos con esta lavadora de presión.
3. Se recomienda usar equipo de protección como trajes de goma, guantes y respiradores, especialmente cuando se usan detergentes limpiadores.
4. Mantenga todos los detergentes fuera del alcance de los niños.
5. SIEMPRE use gafas protectoras cuando opere la unidad para proteger sus ojos de residuos y detergentes lanzados al aire.
6. NO dirija el rocío hacia materiales frágiles como cristal porque los podría quebrar. Manténgase alerta y observe lo que hace.
7. No opere la unidad cuando esté cansado o esté bajo la influencia de alcohol o drogas.
8. NUNCA apriete el gatillo sin antes estar bien apoyado.
9. NO se extienda demasiado ni se pare sobre un soporte inestable.
10. Las superficies mojadas pueden ser resbalosas, por lo tanto debe usar calzado resistente y mantener una buena posición y equilibrio en todo momento.
11. NUNCA apriete el gatillo mientras esté parado en una escalera o en un techo.
12. SIEMPRE sostenga firmemente la pistola y varilla cuando encienda y cuando opere la unidad. Si no lo hace, puede caerse la varilla y moverse peligrosamente como un látigo.
13. Debe saber cómo parar la lavadora a presión y cómo liberar la presión rápidamente. Familiarícese bien con los controles.
14. NO deje la unidad a alta presión cuando se aparte. Apague la lavadora y libere la presión antes de apartarse.
15. NO opere la unidad si hay aceite o agua que se ha fugado de la máquina. NO reanude la operación sin que antes la haya inspeccionado y reparado un técnico capacitado de servicio.
16. Nunca haga ajustes en la máquina mientras esté en operación.
17. Antes de mantener la unidad; apague la arandela de la presión y desconectarla de la fuente de alimentación. Permita que la lavadora se enfríe. Nunca suponga que la lavadora de presión es segura, solamente porque no está en operación. Podría encenderse en cualquier momento.
18. Siga las instrucciones del mantenimiento especificadas en el manual.

Pueden sufrirse lesiones graves o fatales cuando los detergentes hacen contacto con la piel o la penetran.

Pueden sufrirse lesiones graves a causa de residuos lanzados a alta velocidad por la pistola de rocío.

Pueden sufrirse lesiones si el operador pierde el equilibrio a causa del chorro de agua que sale de la boquilla de rocío.

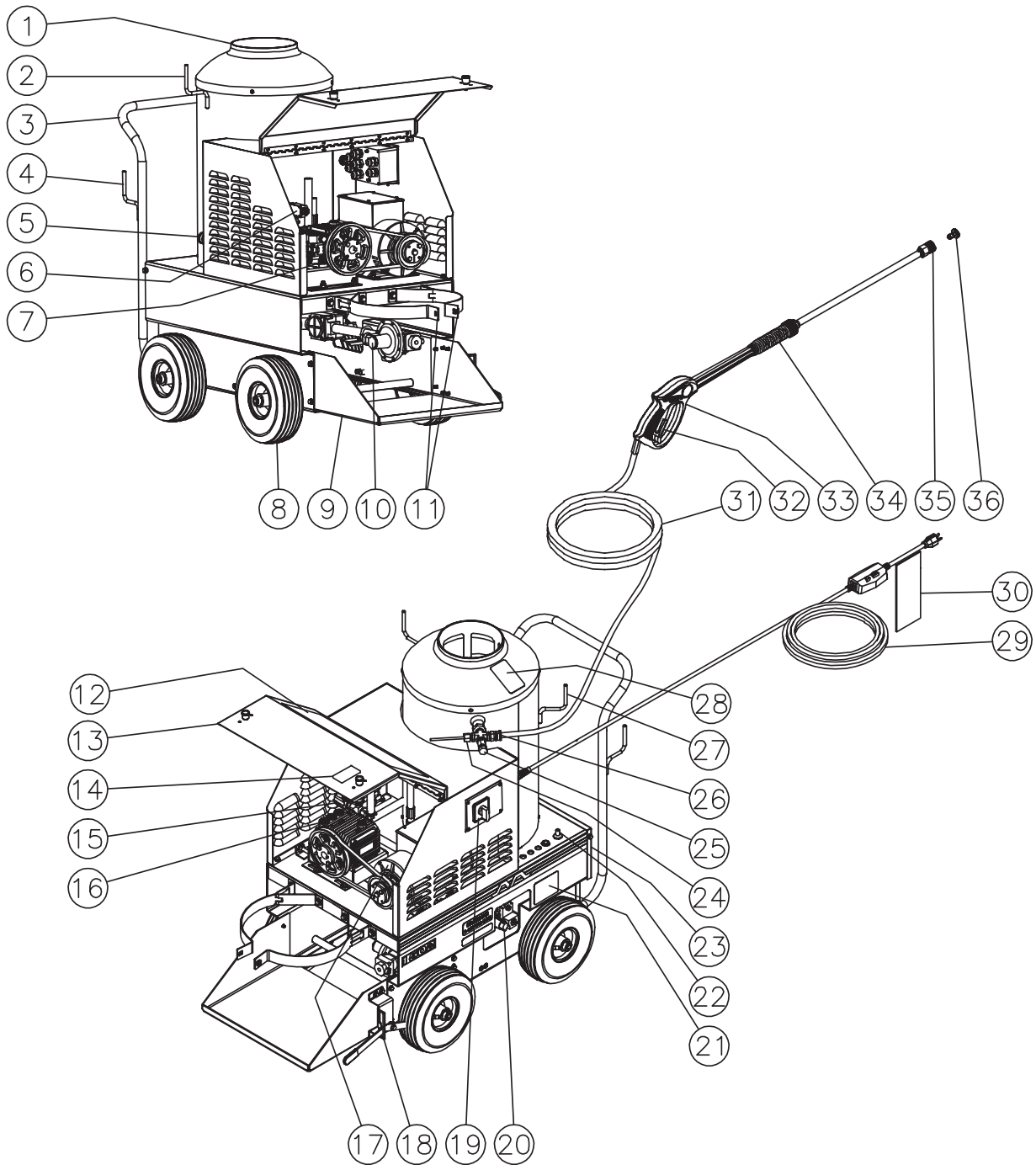
Pueden sufrirse lesiones causadas por la lavadora de presión.



**¡CONSERVE ESTAS INSTRUCCIONES!**



# CARACTERÍSTICAS




GH LP FIRED FEATURES-100303-BAR

## LISTA DE COMPONENTES


1. Exhosto de Intercambiador de Calor
2. Guardador de varita
3. Manivela de Empuje/Tire
4. Percha de Manguera
5. Entrada de Agua/Preventidor de Flujo
6. Interruptor de Presión
7. Válvula de alivio de termal
8. Ruedas
9. Plataforma de bombona de propano líquido
10. Propano líquido – Regulador
11. Propano líquido – Correa de bombona
12. Calcomanía – Advertencia/Precaución/  
Operación
13. Panel
14. Calcomanía – Advertencia: Riesgo de lesiones
15. Descargador
16. Bomba de Presión Alta
17. Motor
18. Freno
19. Interruptor – OFF/Bomba/Quemador
20. Válvua de propano líquido
21. Calcomanía – Plata de Datos
22. Ignición Manual
23. Instalación de Disparos Latónes
24. Sensor de Límite Arriba
25. Válvula de Alivio de Presión
26. Salida de Agua
27. Percha de Cordón eléctrico
28. Calcomanía – Advertencia: Superficie Caliente
29. Cordón eléctrico con GFCI
30. Etiqueta – Advertencia: Riesgo de  
electrocución
31. Manguera de Presión Alta
32. Cerradura de Seguridad de Gatillo
33. Pistola
34. Lanza Aislada
35. Lanza
36. Boquilla de Presión Alta

## INSTRUCCIONES DE INSTALACIÓN

 **PELIGRO**

**¡RIESGO DE EXPLOSIÓN O INCENDIO! NO PONGA LA UNIDAD EN LUGARES DONDE PUEDAN EXISTIR GASES O VAPORES INFLAMABLES. ¡UNA CHISPA PODRÍA CAUSAR UNA EXPLOSIÓN O UN INCENDIO!**

**¡RIESGO DE ESTALLIDO DE LA UNIDAD! ¡NO PONGA LA UNIDAD EN LUGARES DONDE PUEDA CONGELARSE!**

 **ADVERTENCIA**

**¡RIESGO DE ASFIXIA!**  
**¡USE ESTE PRODUCTO SOLAMENTE EN ÁREAS BIEN VENTILADAS! EL GAS QUE ESCAPA CONTIENE MONÓXIDO DE CARBONO, UN GAS VENENOSO, INODORO E INVISIBLE. LA RESPIRACIÓN DE ESTE GAS PUEDE CAUSAR LESIONES, ENFERMEDAD Y POSIBLEMENTE LA MUERTE.**

### INSTALACIÓN


1. Esta unidad debe colocarse sobre un piso nivelado para asegurar la lubricación adecuada de la bomba de agua al operar. NUNCA rocíe agua directamente hacia la unidad.
2. Debe colocarse apartada de materiales inflamables o combustibles. Estos tipos de materiales deben mantenerse por lo menos a 20 pies de las unidades que consuman gas como combustible.
3. NO COLOQUE LA UNIDAD en un área:
  - a. que pueda tener gases o vapores inflamables.
  - b. que tenga ventilación insuficiente.
  - c. donde existan fugas de aceite o combustible.
4. No permita exposición de esta unidad a lluvia, nieve, o temperaturas enfriadas. Si alguna parte de la unidad se congela, la presión excesiva resultante podría causar un estallido y posibles lesiones graves al operador o a las personas que se encuentren cerca.
5. Nivel del aceite de bomba debe revisar antes de cada uso. Asegúrese que el aceite esté en mancha de llena en varilla del aceite. Si parece bajo el nivel, llene el tanque con aceite para bomba SAE20 o 30 no detergente.




## INSTRUCCIONES DE INSTALACIÓN

### ELÉCTRICA:

1. El interruptor debe estar en la posición de apagado (OFF).
2. La fuente de voltaje debe ser idéntica a las especificaciones indicadas en la placa de datos de la lavadora.
3. **INSTRUCCIONES DE CONEXIÓN A TIERRA:** Este producto debe estar conectado a tierra. Si algo funciona mal o se descompone, la conexión a tierra suministra un trayecto eléctrico de baja resistencia para la corriente y así se reduce el riesgo de una descarga eléctrica. Este producto dispone de cordón eléctrico con conductor a tierra para equipo. La clavija debe enchufarse en una toma de corriente adecuada que esté instalada y conectada a tierra según todos los códigos y reglamentos locales.
4. **PELIGRO:** Una conexión inadecuada del conductor a tierra para equipo puede originar un riesgo de electrocución. Consulte con un electricista o técnico de servicio calificados si no está seguro que la toma está conectada a tierra adecuadamente. No modifique la clavija; si no encaja bien en la toma de corriente, permita que un electricista calificado instale una toma correcta. No use ningún tipo de adaptador con este producto.
5. **PROTECCION DEL INTERRUPTER FUNDADO CIRCUITO:** Esta lavadora a presión cuenta con un Interruptor de circuito de falla a tierra (Ground Fault Circuit Interrupter, GFCI) incorporado en el enchufe o en el cordón de alimentación, pruebe el GFCI siempre que se enchufe en un tomacorriente según las instrucciones del GFCI. NO use la lavadora a presión si falla la prueba. El GFCI brinda protección adicional contra el riesgo de choque eléctrico. En caso de que se haga necesario cambiar el enchufe o cordón, utilice sólo repuestos idénticos que incluyan la protección de GFCI.
6. **CORDONES DE EXTENSION:** Fabricante no se recomienda el use de los cordones extensions. Si tiene que usar uno, tiene que poner dentro un GFCI en las cajas circuitas o receptaculos con protección. Cuando está usando el cordón electrico pregunte una persona electrico a ser seguro que el cable medida que tiene es corrector para la longitud del cordón electrico. Use dolemente 3-cable cordones electricos que tiene 3-tipo tapones fundados y 3-pole conectadores que va a aceptar el tapón del producto.
7. Sea seguro que la area entre la varilla de la lavadora a presion y la toma de corriente estar secados.
8. Ponga la varilla masculina dentro la toma de corriente de la tierra (AC).  
**Nunca use un adaptor o quite la varilla de la tierra!!**



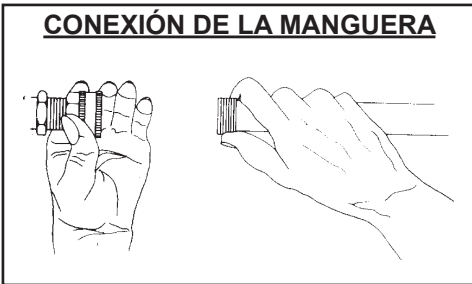
**PELIGRO**  
**RIESGO DE ELECTROCUCIÓN!**  
**ESTA UNIDAD DEBE CONECTARSE A UNA TOMA DE CORRIENTE CON LA DEBIDA CONEXIÓN A TIERRA. NO USE NINGÚN ADAPTADOR NI ELIMINE EL CONTACTO DE TIERRA.**



**ADVERTENCIA**  
**RIESGO DE ELECTROCUCIÓN!**  
**PARA REDUCIR EL RIESGO DE ELECTROCUCIÓN, MANTENGA TODAS LAS CONEXIONES SECAS Y LEJOS DEL PISO. NO TOQUE LA CLAVIJA CON LAS MANOS HÚMEDAS.**

## INSTRUCCIONES DE INSTALACIÓN

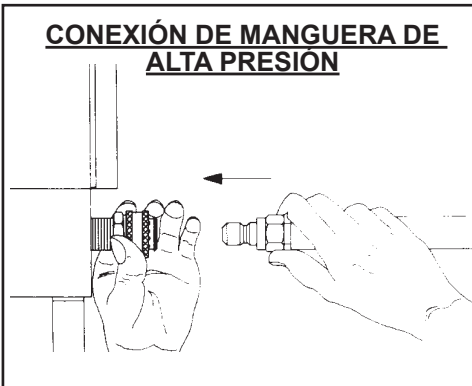
### SUMINISTRO DE AGUA:



**CONEXIÓN DE LA MANGUERA**

1. Seleccione una manguera de suministro de agua de buena calidad similar a una de jardín, que mida por lo menos 3/4" de diámetro interior y 50 pies de largo como máximo.
2. Conecte un extremo de la manguera a la entrada de agua del aparato. Conecte el otro extremo a su red de suministro presurizada.

**NOTA:** *Si hay contenido alto de minerales en el agua, se recomienda usar un ablandador de agua para prevenir la acumulación excesiva de minerales en los serpentines del intercambiador de calor.*

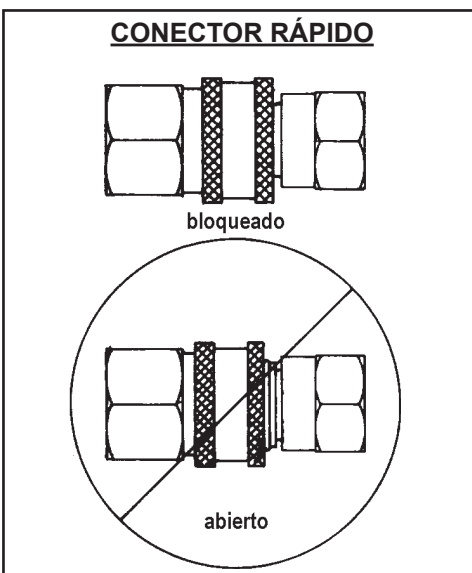


**CONEXIÓN DE MANGUERA DE ALTA PRESIÓN**

3. Asegúrese que todas las conexiones estén firmemente apretadas.
  - a. La manguera de suministro a la entrada de agua del aparato.
  - b. La manguera de suministro a la red presurizada de agua.
4. Cumpla con los requisitos que se mencionan a continuación para el suministro de agua:
  - a. La presión del agua debe estar entre un mínimo de 20 PSI y un máximo de 65 PSI.
  - b. El flujo de entrada en GPM debe ser aproximadamente un galón más que el flujo de salida especificado en GPM en la placa de la lavadora de presión. Puede medir el flujo de la línea tomando el tiempo que tarda en llenar un recipiente de 5 galones.
  - c. La temperatura del agua de entrada no debe exceder de 125°F. Puede causarse daño excesivo a la bomba si la temperatura del agua excede de este nivel aceptable.

**NOTA:** *Si el suministro de agua no es adecuado o la manguera está torcida, el aparato no funcionará debidamente y el quemador no se encenderá.*

5. Nunca permita que el aparato opere sin la línea de agua de entrada conectada y la válvula de suministro de agua completamente abierta.



**CONECTOR RÁPIDO**

bloqueado

abierto

### CONEXIÓN DE ALTA PRESIÓN:

Conecte la manguera de descarga de alta presión uniéndola a la lavadora y el otro extremo a la pistola. Asegúrese que los conectores rápidos estén firmemente trabados.

## INSTRUCCIONES DE INSTALACIÓN

### INSPECCIÓN Y VERIFICACIÓN DE CONDICIONES:

Use caución extremo cuando inspeccionando conexiones de gasolina. Asegúrese que había ventilación correcta y no había present un fuente de ignición en el evento que encuentre un agujero.

1. Conecte manguera de propano líquido a regulador en el frente de unidad. Usando compuesta de cañería en hilos masculino de la manguera.
2. Atornille instalacion de POL en bombona de propano líquido

**NOTA:** Cuando instalando manguera propana a tanque de propano líquido, note que la tiene hilos de mano izquierda.

3. Quite panel respaldo en unidad. Este panel contiene el espejo para revisar el piloto y llamas.
4. Abra despacio la válvula en bombona de gasolina-propano líquid
5. Revise inmediatamente conexiones de cañería de bombona de propano líquido a regulador y el regulador a válvula de gasolina con agua jabonoso. Reemplace conexiones con agujeros inmediatamente.
6. Cierre válvula dispara en el respaldo de unidad y substituya el panel trasero.
7. Encienda el piloto usando instrucciones de encendiendo del piloto abajo:
  - a. Doble perilla en válvula de gasolina a posición de piloto.

**NOTA:** En el primer conectado, baje la perilla de control por 30-60 segundos para purgar la línea.

- b. Baje perilla de control y agarre. Despúes de 5 segundos, baje firmenmente el bónrojo de ignición. Repeate dos o tres tiempos, si necesario, hasta el piloto encienda. Cuando continúe a agrrar la perilla de control abajo por aproximadamente un minuto.
  - c. Revise el espejo en parte trasera de unidad para ver el piloto. Si piloto no queda encender, espere por cinco minutos. Repite sección 7-b, agrrando abajo la perilla de control por un tiempo más largo.
  - d. Doble válvula control de gasolina a posición de "ON".
8. Asegúrese que hay un suministro de agua a la unidad y la unidad tiene potencia. Encenda la unidad como moviendo el interruptor de control a posición de "BOMBA". Provoque la pistola y mueva el interruptor de control al posición de "QUEMADOR". Despúes de 15 segundanos, dole interruptor de control al posición de "OFF" Asegúrese que provocav la pistola para despediv alga presion atrapada.
  9. Revise inmediatamente las conexiones de cañería de válvula de gasolina a válvula dispara y asamblea de cañerías de piloto. Reemplace conexiones con agujeros inmediatamente.
  10. Extinga el piloto como doblando la perilla en válvula de gasolina al posición de "OFF"
  11. Despúes de quitar el panel trasero, abra válvula dispara en la máquina y substituya el panel trasero.

La máquina debe ser lista para uso.



### ADVERTENCIA

30 LIBRAS L.P. -GASOLINA (SOLAMENTE VAPOR) CILINDRO O MAS GRANDE SEA NECESARIO PARA OPERACION CORRECTO.



### ADVERTENCIA

UTILICE SOLAMENTE SU MANO PARA EMPUJAR HACIA ADENTRO O PARA DAR VUELTA A LA PERILLA DE CONTROL DEL GAS. NUNCA UTILICE UNA HERRAMIENTA. SI LA PERILLA NO EMPUJA HACIA ADENTRO NI DA VUELTA A MANO, NO INTENTE REPARARLA; LLAME A TÉCNICO CUALIFICADO DEL SERVICIO.



### ADVERTENCIA

**¡RIESGO DE EXPLOSIÓN O INCENDIO!** NUNCA TRATE A ENCENDER LUZ DE PILOTO A MENOS QUE VÁLVULA MANUAL DE PILOTO HA APAGADO POR 5 MINUTOS.

# INSTRUCCIONES DE INSTALACIÓN

## LISTA DE VERIFICACIÓN PREOPERATIVA:

Antes de encender la unidad, conteste las preguntas de esta lista:

### PREGUNTAS

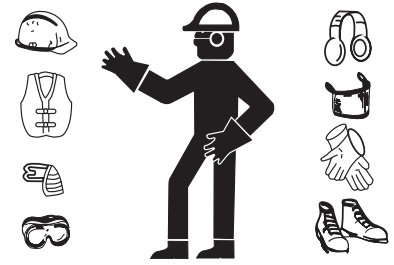
<b>CÓDIGOS:</b>		
1. ¿Cumple la instalación eléctrica con los códigos respectivos?	___	___
2. ¿Cumple la instalación de gas con los códigos respectivos?	___	___
<b>LUBICACIÓN:</b>		
1. ¿Está instalada la unidad en el interior de un edificio sobre un piso no combustible en un área seca protegida de exceso de viento, lluvia y humedad?	___	___
2. ¿Está ubicada la unidad lejos de materiales inflamables y combustibles?	___	___
3. ¿Está ubicada la unidad en un lugar suficientemente grande para tener flujo de aire adecuado?	___	___
<b>INSTALACIÓN ELÉCTRICA:</b>		
1. ¿Está conectada debidamente a tierra la unidad?	___	___
2. ¿Cumplen todos los componentes eléctricos de la instalación con los requisitos mostrados en la placa de especificaciones del aparato y se alimenta el voltaje correcto?	___	___
<b>SUMINISTRO DE GAS:</b>		
1. ¿Se usa el combustible apropiado (gas natural o propano líquido) para su lavadora de presión?	___	___
2. ¿Cumple el gas de suministro con la demanda del quemador (capacidad en BTU)?	___	___
3. ¿Es del tamaño correcto la tubería y se han verificado las conexiones de gas para detectar fugas?	___	___
4. ¿Está completamente abierta la válvula de gas?	___	___
5. ¿Son suficientemente grandes los tanques de propano (si corresponde) para evitar congelación de acuerdo con la capacidad de la unidad (30 libras L.P. -Gasolina cilindro o mas grande)?	___	___
<b>GENERAL:</b>		
1. ¿Han leído todos los operadores de esta unidad el manual de instalación y operación y entendido todas las advertencias de seguridad?	___	___
2. ¿Ha sido instalada la unidad por técnicos capacitados que siguieron las instrucciones del manual de instalación y operación?	___	___
3. ¿Existe un suministro de agua abundante?	___	___

**SI SE MARCA NO EN CUALQUIERA DE ESTAS PREGUNTAS, CORRIJA LA SITUACIÓN ANTES DE OPERAR ESTE APARATO DE GAS.**

## INSTRUCCIONES DE PREPARACIÓN

### VESTIMENTA:

Es esencial usar ropa adecuada para su seguridad. Se recomienda utilizar los medios necesarios para proteger ojos, oídos y piel. Puede requerirse equipo de seguridad adicional (como mascarilla respiratoria) cuando se usan detergentes limpiadores con esta lavadora de presión.



### PRE-ENCENDIDO:

1. Antes de encender, trate de oler alrededor de la máquina para detectar gas. Debe oler especialmente por el piso, ya que algunos gases son más pesados que el aire y se asientan. No opere el aparato si percibe olor a gas. Abandone ese lugar y comuníquese con un técnico capacitado de servicio.
2. Verifique que de "voltaje" esté encendida.
3. Debe revisarse el nivel de aceite de la bomba antes de cada uso. Revise el nivel de aceite sacando al varilla que está encima del cárter de la bomba. El nivel adecuado de aceite está marcado con una muesca en la varilla. Si parece bajo el nivel, llene el tanque con aceite para bomba SAE20 o 30 no detergente. Vuelva a poner las tapas.



### PELIGRO

**¡RIESGO DE EXPLOSIÓN O INCENDIO! TRATE DE PERCIBIR OLOR A GAS ANTES DE ENCENDER LA UNIDAD. DEBE OLER ALREDEDOR DEL ÁREA DE LA MÁQUINA PARA DETECTAR OLOR A GAS. ASEGURESE DE OLER CERCA DEL PISO, YA QUE ALGUNOS GASES SON MÁS PESADOS QUE EL AIRE Y SE ASIENTAN POR EL PISO.**

#### **SI PERCIBE OLOR A GAS:**

- NO ENCIENDA LA UNIDAD.
- NO OPERE NINGÚN INTERRUPTOR ELÉCTRICO.
- NO ENCIENDA NINGÚN APARATO.
- NO USE TELÉFONOS DE ÁREAS CERCANAS.
- ABANDONE EL ÁREA, VAYA A OTRO LUGAR Y USE EL TELÉFONO PARA LLAMAR A SU PROVEEDOR DE GAS.
- SIGA LAS INSTRUCCIONES DEL PROVEEDOR DE GAS.
- SI NO PUEDE COMUNICARSE CON SU PROVEEDOR DE GAS, LLAME AL DEPARTAMENTO DE.



### ADVERTENCIA

**¡RIESGO DE EXPLOSIÓN O INCENDIO!**

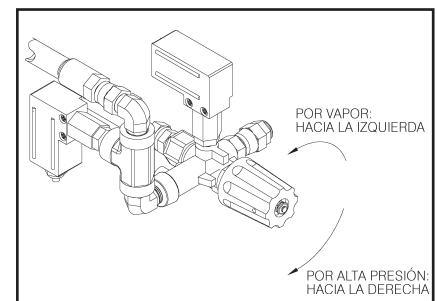
**SIGA LAS INSTRUCCIONES EXACTAMENTE, UN FUEGO O EXPLOSIÓN RESULTARÍA Y CAUSAR DAÑO A PROPIEDAD, LESIONES PERSONALES, O MUERTE.**

### DESCARGADOR:

**0703:** El descargador tiene una perilla reguladora que tiene un ajuste mínimo/máximo. Mueva el descargador en sentido horario hacia el ajuste máximo para la operación con agua fría/caliente. Muévelo en sentido antihorario hacia el ajuste mínimo para la operación con vapor.

**1502:** El descargador ha sido preajustado en la fábrica y sólo debe ser ajustado por un técnico capacitado.

0703



## INSTRUCCIONES DE PREPARACIÓN



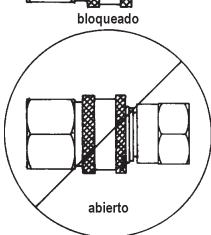
### ADVERTENCIA

**¡RIESGO DE INYECCIÓN CAUSANDO LESIÓN GRAVE!**

**¡LA PISTOLA DEBE SIEMPRE MANTENERSE TRABADA EN SU POSICIÓN CERRADA CUANDO NO SE USE!**

**¡NUNCA MIRE DIRECTAMENTE HACIA LA BOQUILLA, A MENOS QUE ESTÉ DESCONECTADA DEL CONJUNTO DE PISTOLA Y VARILLA!**

### CONECTOR RÁPIDO

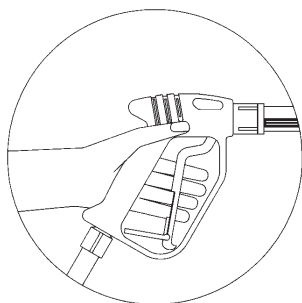


### BOQUILLAS DE CONEXIÓN RÁPIDA:

Hay varias boquillas de conexión rápida para la punta de la varilla doble de presión ajustable para cambiar el patrón de rociado o la función de detergente. Cuando use conectores rápidos, asegúrese que queden firmemente trabados (vea la ilustración #11). Si no quedan bien trabados, el agua a alta presión puede lanzar la boquilla, separándola de la varilla y causando lesiones graves o daños serios. Para determinar la amplitud del ángulo de rociado (vea la ilustración #12) consulte el número que viene estampado en la boquilla. Los primeros dos dígitos indican el ángulo de rociado en grados, es decir, 00 = 0°, 15 = 15°, 25 = 25° y 40 = 40°.

1. **La boquilla de 0° (ROJA) (OPCIONAL):** Esta es una boquilla de chorro. Proporciona una corriente de agua muy concentrada. Tenga cuidado cuando use esta corriente angosta y recta. No se recomienda para superficies pintadas o de madera, ni para objetos adheridos con adhesivo al reverso. Se usa para remover hierba de cuarteaduras de aceras, manchas difíciles de superficies de concreto, mampostería, aluminio y acero, costras de lodo en equipo, y limpieza de la parte inferior de cortadoras de césped.
2. **La boquilla de 15° (AMARILLA) (ESTÁNDAR):** Esta es una boquilla de cincelar. El rociado debe dirigirse a un ángulo de 45° a la superficie para usarse como raspador y remover pintura, grasa y suciedad. Usos: preparación de superficies (eliminación de manchas de moho y pintura descascarada), limpieza de desagües y tubos de drenaje.
3. **La boquilla de 25° (VERDE) (OPCIONAL):**
  - a. Esta es una boquilla de barrido. El patrón de rociado es adecuado para desprender suciedad, lodo y cochambre. Usos: barrido de hojas de aceras, andadores y entradas de coche, limpieza de pisos de establos, lavado de fondos de albercas, desengrasado de motores.
  - b. En unidades con opción de vapor, esta boquilla se usa para operación de vapor mojado de 250°F. Esta boquilla tiene tamaño para operación con la válvula de descargas y vapor (donde para proveecer) vapor mojado de presión alta. Reemplazo de esta boquilla con unaboquilla que tiene tamaño inadecuado puede causar problemas de operación con la maquiña.
4. **La boquilla de 40° (BLANCA) (OPCIONAL):** Esta es una boquilla de lavado. Esta boquilla de rociado amplio dispersa el agua a presión sobre un área amplia y se recomienda para lavado moderado. Usos: lavado de forros de paredes de aluminio, lavado de vehículos, lavado de aceras, andadores y patios.

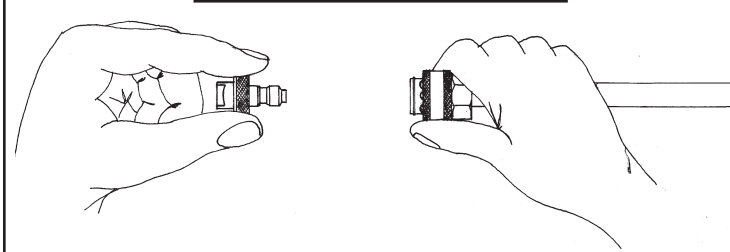
### TRABA DE LA PISTOLA



### CONEXIÓN DE BOQUILLAS:

1. Asegúrese que la pistola esté trabada en su posición cerrada (OFF).
2. La boquilla de conexión rápida debe desconectarse de la varilla doble de presión ajustable en este momento. Según lo demostrado abajo, tiene que mover hacia atrás el anillo de trabado que está en el conector para remover la boquilla.

### CONEXIÓN DE LA BOQUILLA



## INSTRUCCIONES DE PREPARACIÓN

### INSPECCIÓN DE SEGURIDAD ANTES DEL ENCENDIDO:

1. Antes de encender la unidad, siga los siguientes pasos de inspección:
  - a. Busque olor de gas. Si detecta olor de gas, ¡NO ENCIENDA EL APARATO! Vea la sección de advertencias de “Riesgo de explosión o incendio” en la página 60.
  - b. Revise todas las conexiones de mangueras para asegurarse que estén firmemente apretadas.
  - c. Inspeccione el sistema para detectar fugas de agua o aceite.
  - d. Inspeccione el sistema para detectar torceduras, cortaduras o fugas en las mangueras de alta presión. Si encuentra una cortadura o fuga, ¡NO USE LA MANGUERA! Cambie la manguera antes de encender el aparato. Vea la sección de advertencias de “Riesgo de inyección” en la página 63. Asegúrese de reemplazar todas las piezas dañadas y corregir los problemas mecánicos antes de operar el aparato. Si requiere servicio, comuníquese a la oficina de servicio a clientes.



# **ADVERTENCIA**

**LAS SIGUIENTES PÁGINAS CONTIENEN INSTRUCCIONES SOBRE LA OPERACIÓN Y EL MANTENIMIENTO.**

**NO INTENTE OPERAR ESTA LAVADORA A PRESIÓN HASTA QUE HAYA LEÍDO Y COMPRENDIDO TODAS LAS PRECAUCIONES E INSTRUCCIONES DE SEGURIDAD SEÑALADAS EN ESTE MANUAL. SIGA INSTRUCCIONES DE MANTENIMIENTO QUE ESPECIFICAR EN ESTA MANUAL.**

**¡LA OPERACIÓN INCORRECTA DE ESTA UNIDAD PUEDE CAUSAR LESIONES GRAVES!**

**¡NO ALTERE NI MODIFIQUE ESTE EQUIPO DE NINGUNA MANERA!**

## INSTRUCCIONES DE OPERACIÓN

Una vez que usted haya completado la lista de verificación preoperativa en la página 81, ya está listo para la operación. Los siguientes pasos le ayudarán a operar su máquina con seguridad.

### ENJUAGUE DEL SISTEMA:

1. Esta unidad tiene un serpentín de acero en el que se torna marrón o negra el agua residual del uso previo. Debe evacuarse y enjuagarse el sistema antes de encenderlo. Este procedimiento se realiza sin tener instalada la pistola.
  - a. Verifique que esté abierta la alimentación de agua.
  - b. Muera interruptor de control a posición de "BOMBA" y encienda unidad de bomba.
  - c. Opere la unidad por 3 a 5 minutos.
  - d. Apaque la maquiña.
  - e. Dé vuelta apagado al abastecimiento de agua.
  - f. Una vez que enjuague el sistema, conecte la pistola a la manguera de alta presión.



### PRECAUCIÓN

**RIESGO DE DAÑO A LA UNIDAD**  
**ASEGÚRESE QUE NO ESTÉN CONECTADAS LA MANGUERA, LA PISTOLA ESTÉ PURGANDO EL SISTEMA. AL PURGAR SE LIBERAN DEPÓSITOS MINERALES DEL SISTEMA, LOS CUALES PODRÍAN OBSTRUIR O DAÑAR LA PISTOLA, REQUIRIENDO REPARACIONES COSTOSAS.**

### OPERACIÓN CON AGUA FRÍA:

1. Consulte la sección de "Precauciones de seguridad" en las páginas 60 a 65 antes de encender la unidad.
2. Busque las calcomanías de seguridad en su unidad y respete estas advertencias.
3. Apunte con la pistola en una dirección segura, destrabe el gatillo de la pistola y apriételo. Apóyese bien para soportar una posible patada de la pistola cuando la bomba arranque.
4. Mueva interruptor de control a la posición de "BOMBA" y encienda la unidad de bomba.
5. Una vez que haya encendido la unidad, siga los siguientes pasos con la pistola abierta.
  - a. Inspeccione el sistema para detectar fugas de agua o aceite.
  - b. Inspeccione las mangueras de alta presión para detectar fugas. Si descubre una fuga, ¡NO TOQUE LA MANGUERA EN EL LUGAR DE LA FUGA! ¡APAGUE EL APARATO INMEDIATAMENTE! Reemplace la manguera antes de usar el aparato. Vea la sección de advertencias "Riesgo de inyección" en la página 63. Asegúrese que reemplacen todas las partes dañadas y corrijan los problemas mecánicos antes de operar la unidad.
6. En este punto, la unidad está operando como lavadora de presión con agua fría. Apriete el gatillo de la pistola varias veces y trate de ajustar la presión del agua girando el mango de la varilla doble. ¡NUNCA ponga las manos o los dedos en frente de la boquilla ni mire directamente hacia la boquilla! ¡El agua a alta presión crea un riesgo de lesiones graves!
7. Su lavadora de presión puede ofrecerle rociado a alta presión y una gran variedad de patrones de rociado con agua fría. Si desea usar agua caliente o detergentes limpiadores, vea en la página 79 los procedimientos correctos.



### PELIGRO

**¡RIESGO DE INYECCIÓN QUE PROVOCA LESIONES GRAVES!**  
**¡MANTÉNGASE COMPLETAMENTE APARTADO DE LA BOQUILLA!**  
**¡NUNCA COLOQUE LA MANO O LOS DEDOS DELANTE DE LA BOQUILLA! ¡NO DIRIJA EL CHORRO DE DESCARGA HACIA PERSONAS O MASCOTAS!**



### PRECAUCIÓN

**RIESGO DE DAÑO**  
**NO PERMITA QUE EL PATRÓN DE ROCÍO PERMANEZCA EN UNA ÁREA FIJA DURANTE UN PERIODO DE TIEMPO PROLONGADO. PUEDE CAUSAR DAÑOS EN ESA ÁREA.**

### ENCENDIENDO VÁLVULA DE PILOTO:

1. Asegúrese que todos interruptores estén en posición de "OFF"
2. Quite el tanque de propano líquido de unidad. Mueva el tanque de propano líquido la más distancia afuera de unidad que permita por la manguera de suministro.
3. Abra la válvula de tanque de propano líquido. Doble la perilla en la válvula al posición de piloto.
4. Baje la perilla de control y agarre. Después de cinco segundos baje firmemente el botón rojo de ignición. Repite dos o tres tiempos, si necesario, hasta el piloto encienda. Cuando encienda el piloto continúe a agarrar la perilla de control abajo por aproximadamente un minuto.
5. Revise el espejo en parte trasera de unidad para ver el piloto. Si el piloto no encienda, espere por cinco minutos. Repite estapa 4, agarrando abajo la perilla de control por un tiempo más largo.



### ADVERTENCIA

**¡RIESGO DE EXPLOSIÓN O INCENDIO!**

**SIGA LAS INSTRUCCIONES EXACTAMENTE, UN FUEGO O EXPLOSIÓN RESULTARÍA Y CAUSAR DAÑO A PROPIEDAD, LESIONES GRAVES, O MUERTE.**

## INSTRUCCIONES DE OPERACIÓN



### ADVERTENCIA

#### **¡RIESGO DE QUEMADURAS!**

LA TEMPERATURA DEL AGUA PODRÍA SUBIR A UN NIVEL MUY ALTO DURANTE LA OPERACIÓN CON AGUA CALIENTE. TENGA PRECAUCIÓN CUANDO AJUSTE LA PRESIÓN O CUANDO CONTROLE EL CONJUNTO DE PISTOLA Y VARILLA.



### IMPORTANTE

CUANDO SE TRABAJA BOMBEO AGUA FRÍA HACIA EL INTERCAMBIADOR DE CALOR Y EL QUEMADOR ESTÁ ENCENDIDO, HABRÁ CONDENSACIÓN Y GOTEO EN EL SERPENTÍN. ESTO TENDRÁ LA APARIENCIA DE UNA FUGA DEL SERPENTÍN PARTICULARMENTE EN TIEMPO FRÍO Y HÚMEDO.

#### OPERACIÓN CON AGUA CALIENTE:

1. Siga los pasos descritos para "OPERACIÓN CON AGUA FRÍA Y ENCENDIENDO VÁLVULA DE PILOTO".
2. Mueva el interruptor del quemador a la posición de "BOMBA". Al inicio de encendido el agua comenzará a calentarse en 60 segundos aproximadamente y alcanzará su temperatura máxima en 3 minutos aproximadamente, siempre y cuando se mantenga oprimido el gatillo de la pistola. El quemador se apagará cuando se suelte el gatillo.

En este punto, la unidad está operando como lavadora de presión de agua caliente. Recuerde ser extremadamente cuidadoso cuando ajuste la presión y controle el conjunto de pistola y varilla para evitar la posibilidad de quemaduras.

*NOTA: Mientras esté rociando, es normal que el quemador se encienda intermitentemente. El interruptor de límite alto causará que la combustión se suspenda cuando la temperatura del agua descargada exceda el límite ajustado en el interruptor. La combustión se reiniciará cuando la temperatura del agua descienda por debajo del ajuste mínimo.*

---

#### OPERACIÓN DEL VAPOR: (0703 SOLAMENTE):

1. Siga los pasos descritos para "OPERACIÓN CON AGUA FRÍA Y ENCENDIENDO VÁLVULA DE PILOTO".
2. Gire la perilla del descargador totalmente hacia la izquierda al ajuste mínimo.

**En esta etapa, la unidad está operando como lavadora de presión con agua caliente. Asegúrese de ser extremadamente precavido cuando ajuste la presión o controle el conjunto de pistola/gatillo/varilla para evitar la posibilidad de sufrir quemaduras.**

## INSTRUCCIONES DE OPERACIÓN

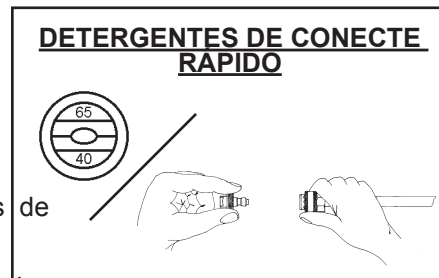
### LIMPIEZA CON DETERGENTES:

Conecte Inyectador de Detergente a la unidad como directado en Manual de Inyectador de Detergente #AW-8300-0000.

1. Refiere a “Riesgo de Lesiones” página 65 y Manual de Inyectador de Detergente que venga con parte #AW-8300-0000. Asegúrese de usar vestimenta protectora de seguridad como se indica en la página 73.
2. Prepare la solución de detergente de acuerdo con las instrucciones de su etiqueta. Nunca bombee ácidos, álcalis, fluidos abrasivos o solventes con esta unidad Porque de characteristics desconocidos y corrosivos de mucho detergentes que usado mucho en industria de limpiando con lavadoras presión, recomienda sólo usar detergentes ligeros con esta unidad.
3. Ajuste la cantidad de detergente deseado como encontrando la perilla de ajustado en el fin de la manguera claro y viniló cerca a Inyectador de Detergente. Doble completamente en sentido contrario a la agujas del reloj la perilla para colocar la rata máxima de sifón.
4. Sumerga el colador en solución de detergente para permitir detergente a trasvasar
5. Con la pistola cierre en posición de “OFF”, con seguridad conecte – rápido la boquilla de rocío de detergente (#6540° NEGRO) en el fin de lanza.

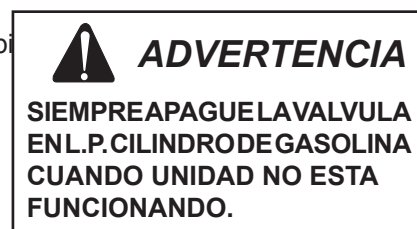
**NOTA:** Este sistema de inyección sea diseñado para aplicar detergentes abajo de presión baja sólo. No lo permita soluciones de detergentes a introducir en el sistema a menos de que la boquilla de detergente instale en la lanza.

6. Para rociar la solución, quite la traba del gatillo de la pistola y apriete el gatillo. En un momento verá salir mezcla de detergente y agua por la boquilla. Comience a rociar la porción inferior de la superficie que va a limpiar y avance hacia arriba, dando pasadas largas traslapadas. Rocíe del fondo hacia arriba para evitar franjas. Permita que se remoje brevemente. No trabaje sobre superficies calientes ni bajo la luz directa del sol para así reducir al mínimo la posibilidad que se seque el detergente, lo cual puede resultar en daños a la superficie. Recuerde limpiar una sección pequeña a la vez.
7. Para enjuague: cierre pistola en posición de OFF, con seguridad conecte – rápido la boquilla de 40° al fin de lanza. Abra pistola y rociar. Tomará sobre 30 segundos para purgue todos detergentes de la linea. Para resultados mejores de enjuagar, empiece en la arriba y mueva abajo.
8. Después de cada uso haga pasar por medio de sifón un galón de agua a través del sistema de detergente. Esto previene la posibilidad de corrosión o acumulación de residuos de detergente que causan problemas mecánicos durante usos subsecuentes.



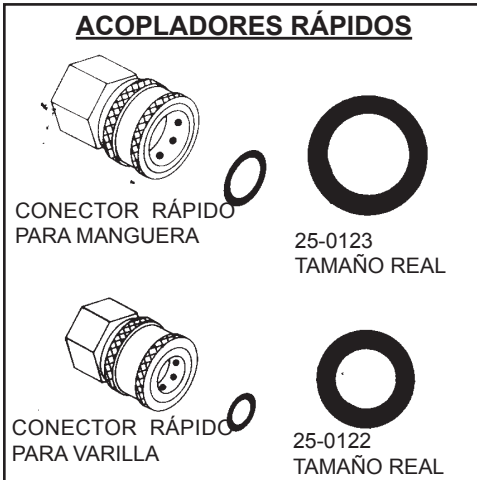
### APAGADO:

1. Cierre la válvula en tanque de propano lí quido. Apagado válvula de pi como bajando la perilla de control de válvula de gasolina y doble a “OFF”.
2. Aprete el gatillo y dispense el agua por un tiempo de tres minutos para enfriar el intercambiador de calor y manguera de presión alta. (Tiempo insuficiente de enfriar de presión alta causará desgaste excesivo y rompiendo de manguera.)
3. Doble interruptor de control al posición de “OFF” para parar unidad de bomba.
4. Apriete el gatillo de pistola momentáneamente para relevar presión atrapada.
5. Asegure el tanque a unidad para mover.



## INSTRUCCIONES DE MANTENIMIENTO

### MANTENIMIENTO PREVENTIVO:



**FUGAS:** Elimine con prontitud cualquier fuga que encuentre en el sistema de bombeo removiendo las piezas sospechosas y aplicando sellador en las roscas antes de reinstalar.

**NOTA:** Si usa cinta de teflón, asegúrese que no entre cinta a la tubería para prevenir la posibilidad de taponamientos en las boquillas.

**ACOPLADORES RÁPIDOS:** Hay sellos anulares (o-ring) dentro de los acopladores, los cuales se pueden deteriorar. Para cambiarlos, simplemente instale un sello de repuesto para corregir la fuga. Puede adquirir sellos anulares con su distribuidor.

**BOQUILLA:** El flujo del agua a través de la boquilla erosiona el orificio, agrandándolo y causando como resultado pérdida de presión. Deben cambiarse las boquillas siempre que la presión baje a menos del 85% del máximo. La frecuencia de reemplazo depende de variables como el contenido de minerales en el agua y el número de horas que se usa la boquilla.

### BOMBA:

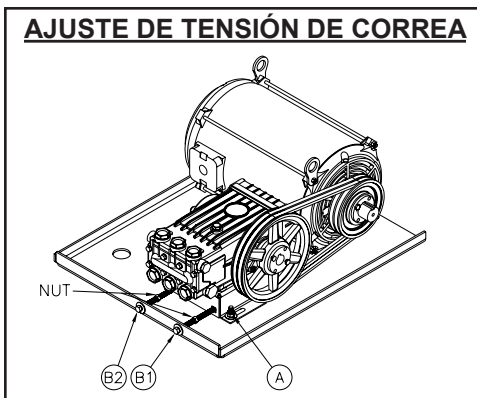
1. Cambie el aceite de la bomba después de las primeras 50 horas de operación. Después del cambio inicial, se recomiendan intervalos de 3 meses o 250 horas. Si el aceite parece sucio o lechoso, pueden requerirse cambios más a menudo.
2. Busque la manguera de drenaje de aceite de la bomba.
3. Use un recipiente vacío para atrapar el aceite y quite el tapón de drenaje.
4. Permita que el aceite drene de la bomba y vuelva a poner el tapón. Elimine el aceite usado de acuerdo con los reglamentos locales, estatales y nacionales.
5. Llene el cárter de la bomba hasta que el nivel llegue a la muesca de la varilla usando aceite de bomba SAE10W-30. No llene demasiado.

### BELT TENSION:

Asegúrese de que la unidad está apagada y desenchufado. Abra pasadores y levante capó para inspeccionar los v-cinturones para desgaste y apretado. Si es necesario cambiar o apretar la correa, efectúe el procedimiento indicado abajo.

### CAMBIO:

1. Afloje los cuatro tornillos de montaje de la bomba (A).
2. Afloje las tuercas de los tornillos de alineación (B1 y B2) una pulgada (2.5 cm) aprox.
3. Deslice la bomba hacia el motor para aflojar las correas.
4. Retire y cambie la correa.



**APRIETE:** (Si no cambió la correa, va a necesitar aflojar las tuercas de los tornillos de alineación (B1 y B2) antes de proseguir.)

1. Apriete el tornillo de alineación B2. La bomba se desplaza hacia la izquierda hasta que haya tensión en la correa. Después apriete la tuerca B2.
2. Apriete el tornillo de alineación B1, hasta que queden alineadas ambas poleas. (Use una regla para la alineación.)
3. Oprima la correa para verificar la deflexión y la tensión. Debe haber una deflexión de 1/4" (6 mm) a 1/2" (12 mm) si la tensión está correcta.
4. Si están alineadas las poleas y está correcta la tensión, apriete la tuerca B1 y los cuatro tornillos de montaje de la bomba (A).
5. Si no está correcta la tensión, repita los pasos 6 y 7 hasta lograr la alineación y la tensión correctas. Apriete los cuatro tornillos de montaje (A) al terminar.
6. Afloje la tuerca B2, apriete el tornillo B2 y luego apriete aquélla.
7. Afloje la tuerca B1, apriete el tornillo B1 y luego apriete aquélla.7. Afloje la tuerca B1, apriete tornillo B1, afloje tuerca B1.

## INSTRUCCIONES DE MANTENIMIENTO

### PREPARACION PARA EL INVIERNO:

Será necesario preparar esta unidad para el invierno, para fines de Almacenamiento y transporte en temperaturas ambiente inferiores al punto de congelación. Esta unidad debe protegerse contra la temperatura más baja incurrida por las siguientes razones:

- Si se congela cualquier parte del sistema de bombero puede acumularse una presión excesiva en la unidad, lo que podría causar que la misma reviente resultando en lesiones posibles graves al operador o a los observadores.
- El sistema de bombeo de esta unidad puede resultar dañado permanentemente si se congela. **LOS DAÑOS POR CONGELACION NO ESTAN CUBIERTOS POR LA GARANTIA.**

Usted puede proteger su unidad siguiendo el procedimiento indicado abajo, si debe almacenarla en un lugar donde la temperatura puede descender por debajo de los 32°F.

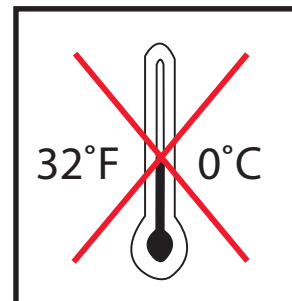
- Reúne los artículos siguientes:
  - Dos recipientes de 5 galones.
  - Un galón de anticongelante. (Fabricante recomienda un anticongelante seguro para el medio ambiente.)
  - Suministro de agua.
  - Una manguera de tres pies de largo con un D.I. de 1/2-3/4 y con un adaptador macho de manguera de jardín de 3/4 de pulgada.
- Procedimiento:
  - Para comenzar a preparar su unidad para el invierno, la misma debe hacerse funcionar y cebarse de acuerdo con los "OPERACIÓN DE ARRANCAR / AQUA FRIO" indicados en la página 84.
  - Apague la unidad y corte el suministro de agua, después de hacerla funcionar y cebarla.
  - Elimine la presión del sistema apuntando la pistola a gatillo hacia una dirección segura y accionando el gatillo hasta que el flujo de agua cese de salir por la boquilla.
  - Asegure la pistola a gatillo en la posición OFF. Gradue la lanza dual al presión bajo.

**NOTA:** La preparación apropiada para el invierno está basada en las instrucciones recomendadas del fabricante incluidas en la "Tabla de Protección" mostrada en el rótulo posterior de la mayoría de los recipientes de anticongelantes.

- Retire la manguera de suministro de agua de la unidad y fije seguramente la manguera de 3 pies a la conexión de entrada.
- Si fuera aplicable apague el inyector de detergente.
- Llene con agua un balde de 5 galones.
- Manteniendo la manguera de 3 pies en una posición vertical, llénela completamente con agua. A continuación taponé la salida de la manguera con su dedo pulgar u otro dedo. Coloque el extremo taponado dentro del balde de agua de 5 galones.
- Arranque la unidad. Accione varias veces el gatillo de la pistola hasta que todo el aire haya salido del sistema (la unidad está cebada). Puede ser necesario disminuir las RPM del motor a funcionamiento en vacío para ayudar el cebado.
- Por medio de la acción de sifón extraiga suficiente agua del balde de 5 galones hasta que haya justo suficiente agua restante para mezclar con el anticongelante, con la pistola a gatillo mantenido abierto.
- Apunte la vara hacia el recipiente vacío.
- Accione el gatillo de la pistola hasta que el anticongelante comience a salir por la vara. Suelte el gatillo por 3 segundos, a continuación accione el gatillo de la pistola por 3 segundos. Continúe ciclando la pistola varias veces hasta que toda la mezcla anticongelante es extraída del recipiente por la acción de sifón.
- Apaque la unidad.
- Separe la manguera de 3 pies de la unidad y drene todo el exceso restante de anticongelante dentro del recipiente de 5 galones.

### SOPLADO CON AIRE:

- Retire la boquilla del conjunto de la caña. Oprima el gatillo hasta que cese de salir agua por el conjunto de la caña.
- Conecte un adaptador para aire de una manguera de aire al accesorio del colador del tanque de flotador.
- Circule aire comprimido por el sistema para eliminar del mismo toda el agua presente.





## INSTRUCCIONES DE MANTENIMIENTO

### CUADRO DE MANTENIMIENTO PREVENTIVO PARA EL OPERADOR

PROCEDIMIENTO	DIARIAMENTE	3 MESES	6 MESES	9 MESES	12 MESES
Inspección de fuga de gas	X				
Inspección de fuga de agua	X				
Inspección de fuga de aceite	X				
Inspección de conectores y mangueras	X				
Revisión de nivel de aceite de bomba	X				
*Cambio de aceite de bomba		X	X	X	X
Revisión de tensión de correa		X	X	X	X
Cambio de boquilla de alta presión		X	X	X	X
Prueba de presión de agua			X		X
Prueba de temperatura de agua			X		X

\*El aceite de la bomba debe cambiarse inicialmente a las 50 horas de operación y subsecuentemente cada 250 horas o 3 meses, lo que ocurra primero.

### CUADRO DE MANTENIMIENTO PARA EL DISTRIBUIDOR

PROCEDIMIENTO	12 MESES
Inspección de suministro de gas	X
Limpieza de tubo de goteo de línea de gas	X
Inspección del quemador	X
Inspección de ventilación de escape	X
*Desincrustación del serpentín	X
Prueba de consumo de voltaje y amperaje	X

\* La acumulación de incrustaciones variará dependiendo del contenido de minerales en el agua y la frecuencia de uso. Puede variar desde una limpieza cada mes hasta una limpieza cada año.



## LOCALIZACION DE FALLAS

SINTOMA	CAUSA PROBABLE	SOLUCION
El motor no funciona.	Sobrecarga del circuito.  Sobrecarga del motor.	Determine si está encendida de voltaje. Si no está encendida, revise el disyuntor o fusible.  Restablezca el botón de sobrecarga térmica en el motor de la bomba o en la caja de interruptores eléctricos. Llame a la oficina de servicio a clientes. B Revise el suministro de agua a la entrada.
No hay descarga en la boquilla cuando se aprieta el gatillo.	Suministro de agua cerrado.	Aumente el diámetro de manguera para tener suministro adecuado de agua (20 PSI, 6 GPM).
Presión baja o fluctuante.	Suministro de agua inadecuado. Entra aire a la bomba (cebado eliminado).  La válvula de detergente de alta presión está abierta sin tener el extremo de la manguera sumergido en el detergente (causa fuga de vacío y se elimina de cebado).  Doble en la manguera de descarga de alta presión.  Boquilla taponada o desgastada.  Válvula dañada o taponada en la bomba.  Empaques desgastados en la bomba.  La válvula de descarga/derivación no opera correctamente.	Apriete todas las conexiones de alimentación de agua. Elimine las fugas de la línea de alimentación.  Cierre la válvula o sumerja la manguera de detergente en la solución. Vuelva a cebar la bomba.  Cambie la manguera de alta presión que tiene el doblez.  Quítela, límpiela o cámbiela.  Quítela, límpiela o cámbiela.  Reemplace los empaques.  Repare o reemplace.
El aceite parece lechoso o espumoso.	Agua en el aceite.	Cambie el aceite de la bomba. Llene hasta el nivel adecuado.
Fuga de aceite de la bomba.	Sellos desgastados.	Llame a la oficina de servicio a clientes.
No se extrae el detergente por sifón.	El colador de detergente no está completamente sumergido en la solución de detergente.  Colador de detergente taponado.  Manguera de detergente cortada, obstruida o doblada.  Perilla reguladora de flujo de detergente en posición cerrada (OFF).	Revise y sumerja si es necesario.  Inspeccione, limpie o cambie.  Inspeccione, limpie o cambie.  Abra la perilla reguladora. Consulte la sección "Limpieza con detergentes".
El agua retorna al recipiente de detergente.	Bola y resorte del colador ausentes o corroídos.	Desmonte, limpie o reemplace.
El agua fluye por la boquilla cuando la pistola tiene el gatillo trabado en su posición cerrada (OFF).	Falla de funcionamiento en la pistola.	Repare o reemplace.

## LOCALIZACION DE FALLAS

SINTOMA	CAUSA PROBABLE	SOLUCION
Antes de encender, se percibe olor a gas alrededor de la máquina.	Hay fuga de gas.	Vaya a otro edificio y llame a su proveedor de gas para pedir instrucciones, o si no puede localizar a su proveedor de gas, llame al departamento de bomberos.
El quemador no enciende.	<p>El interruptor del quemador no está en la posición de "QUEMADOR".</p> <p>La pistola está cerrada.</p> <p>Interruptor defectivo de Límite Alto</p> <p>Invalidador de Interruptor de Límite Alto</p> <p>No Comestible</p> <p>Obstrucción en línea de gasolina</p> <p>Válvula de piloto no funcione</p> <p>Falla de válvula de gasolina</p>	<p>Verifique la posición del interruptor.</p> <p>Abra la pistola para crear presión.</p> <p>Reemplace interruptor.</p> <p>Unidad reinflame automática cuando fría.</p> <p>Revise que válvula de gasolina esté abierto.</p> <p>Revise tanque de propano líquido, rellene si vacío.</p> <p>Revise presión de gasolina.</p> <p>Enciende Piloto.</p> <p>Reemplace.</p>
Piloto no enciende.	<p>Válvula de piloto manual está cerrada.</p> <p>Un agujero de gasolina en válvula de piloto</p> <p>Arranque de ignición de Piezo</p>	<p>Abra válvula de piloto.</p> <p>Llame un consultor de servicio cualificado.</p> <p>Llame un consultor de servicio cualificado.</p>
Piloto enciende pero no quede encendido cuando dial de gasolina despida.	<p>Piloto demasiado a fuera de termalpareja.</p> <p>Termalpareja floja en válvula de seguridad de regulador.</p>	<p>Llame un consultor de servicio cualificado.</p> <p>Llame un consultor de servicio cualificado.</p>
Vida corta de termalpareja.	<p>Calor excesivo de luz de piloto.</p> <p>Termalpareja demasiado cerca a piloto.</p>	<p>Baje suministro de gasolina de piloto.</p> <p>Llame un consultor de servicio cualificado.</p>
Gotea agua bajo el serpentín del intercambiador de calor.	<p>Condensación.</p> <p>Rotura en el serpentín del intercambiador de calor.</p>	<p>Es común que ocurra.</p> <p>Reemplace el serpentín.</p>

## DECLARACIÓN DE GARANTÍA

El fabricante garantiza todas las piezas (excepto las piezas a las cuales se hace referencia más abajo) de su nueva lavadora de presión contra defectos en sus materiales o su manufactura durante los períodos siguientes:

Para un curso de la vida contra congelar y agrietarse:  
Colector de bomba

Por siete (7) años a partir de la fecha original de compra:  
La bomba de alta presión

Por cinco (5) años a partir de la fecha original de compra:  
El serpentín del intercambiador de calor

Por dos (2) años a partir de la fecha original de compra:  
Protecciones o guardas      Tubería  
Marcos                              Poleas

Por un (1) año a partir de la fecha original de compra:  
Válvula de gas                      Control de ignición

Por noventa (90) días a partir de la fecha original de compra:  
Válvula de descargas      Interruptor de presión  
Asamblea de arranque      Termostato de límite arriba

Por treinta (30) días a partir de la fecha original de compra:  
Manguera de alta presión      Pistola de gatillo              Coladores/Filtros

Durante el período de garantía, se repararán o reemplazarán a discreción las piezas defectuosas que no estén sujetas a un desgaste normal. El reembolso en cualquier caso se limitará al precio de compra.

## EXCLUSIONES

1. El motor está cubierto bajo una garantía por separado que su respectivo fabricante ofrece, y queda sujeto a los términos establecidos en dicha garantía.
2. Piezas sujetas a desgaste normal:  
Empaques de la bomba      Boquillas rociadoras      Válvulas de la bomba  
Válvulas de detergente      Conectores rápidos
3. Esta garantía no cubre piezas dañadas a causa de desgaste normal, aplicación incorrecta, uso incorrecto, u operación a velocidades, presiones o temperaturas diferentes a las recomendadas. Tampoco se garantizan las piezas dañadas o desgastadas debido al uso de líquidos cáusticos o a la operación en ambientes abrasivos o corrosivos, o bajo condiciones que causen cavitación de la bomba. También se anula la garantía si no se siguen los procedimientos recomendados de operación y mantenimiento.
4. El uso de piezas que no sean genuinas anulará la garantía. Las piezas enviadas con porte prepago a la fábrica o a un centro de servicio autorizado serán inspeccionadas y reemplazadas sin cargo alguno si se encuentran defectuosas y están cubiertas por la garantía. No hay otras garantías que se extiendan más allá de la descripción presentada aquí. Manufacturerar no será responsable bajo ninguna circunstancia por pérdida de uso del aparato, pérdida de tiempo o renta, inconveniencia, pérdida comercial o daños consecuentes.

