

OPERATORS MANUAL  
***BIO-25R-0M10 /BIO-25R-1M10***  
***BIO-25R-0M30 /BIO-25R-1M30***  
BIOLOGICAL RECYCLING SYSTEM



CAUTION

RISK OF INJURY!

READ MANUAL BEFORE OPERATING!

This manual is an important part of the Biological Recycling System  
and must remain with the unit when you sell it!

# Table of Contents

INTRODUCTION .....	3
CONTENTS OF BIOLOGICAL RECYCLING SYSTEM .....	4
SPECIFICATIONS .....	4
PURPOSE .....	4
IMPORTANT SAFETY WARNINGS .....	5-7
RISK OF ELECTRIC SHOCK OR ELECTROCUTION .....	5
RISK OF EXPLOSION OR FIRE .....	6
RISK OF BURSTING .....	6
RISK OF BURNS .....	6
RISK FROM MOVING PARTS .....	7
RISK OF BODILY INJURY .....	7
FLOW CHARTS .....	8-11
BIOLOGICAL RECYCLING SYSTEM FLOW CHART .....	8-9
BIOLOGICAL RECYCLING SYSTEM FLOW CHART W/OZONE .....	10-11
FEATURES .....	12-15
BIOLOGICAL RECYCLING SYSTEM FEATURES .....	12-13
BIOLOGICAL RECYCLING SYSTEM FEATURES W/OZONE .....	14-15
INSTALLATION .....	16-18
ATTIRE .....	16
INSTALLATION .....	16-17
PRESTART CHECKLIST .....	18
PREPARATION .....	19
PRESTART PROCEDURES .....	19
START-UP .....	19
OPERATION .....	20
ADDING MICROBES .....	20
MAINTENANCE .....	20-21
ROUTINE MAINTENANCE .....	20
WINTERIZING .....	21
TROUBLESHOOTING .....	22-24
REPLACEMENT PARTS .....	25
STATEMENT OF WARRANTY .....	26
NOTES .....	27

## ⚠ WARNING

⚠ **WARNING:** This product can expose you to chemicals including Lead, which is known to the State of California to cause cancer and birth defects or other reproductive harm. For more information go to [www.P65Warnings.ca.gov](http://www.P65Warnings.ca.gov)

## ⚠ WARNING

⚠ **WARNING:** This product can expose you to chemicals including carbon monoxide, which is known to the State of California to cause birth defects or other reproductive harm. For more information go to [www.P65Warnings.ca.gov](http://www.P65Warnings.ca.gov)

## ! IMPORTANT !

### ALUMINUM TANK AND CHEMICAL USE

The chemicals listed below should not be used in any aluminum tank because of reactions with the alloy. These chemicals may cause premature failure of your tank. Use of any of the listed chemicals will void any warranty expressed or implied by the manufacturer with regard to your water treatment system.

#### CHEMICALS TO AVOID:

**Aluminum Chloride, Ammonia, Ammonia Hydroxide, Barium Salts, Calcium Chloride, Carbon Tetrachloride, Caustic Soda, Chlorine, Chloroform, Hydrochloric Acid, Hydrogen Peroxide, Methyl Chloride, Oxalic Acid, Ozone, Perchloric Acid, Phosphoric Acid, Potassium Carbonate, Potassium Hydroxide, Sodium Carbonate, Sodium Chloride, Sodium Hydroxide, Sulfuric Acid, Trichloro-acetic Acid, Zinc Chloride.**

**If you are unsure about a chemical reacting with your aluminum tank,  
please consult with your representative.**

# INTRODUCTION

Congratulations on the purchase of your new Biological Recycling System! You can be assured your Biological Recycling System was constructed and designed with quality and performance in mind. Each component has been rigorously tested to ensure the highest level of acceptance.

This operator's manual was compiled for your benefit. By reading and following the simple safety, installation, operation, maintenance and troubleshooting steps described in this manual, you will receive years of trouble free operation from your new Biological Recycling System. The contents of this manual are based on the latest product information available at the time of publication. The manufacturer reserves the right to make changes in price, color, materials, equipment, specifications or models at any time without notice.

## ! IMPORTANT !

These paragraphs are surrounded by a "SAFETY ALERT BOX". This box is used to designate and emphasize Safety Warnings that must be followed when operating this Biological Recycling System.

Accompanying the Safety Warnings are "signal words" which designate the degree or level of hazard seriousness. The "signal words" used in this manual are as follows:

**DANGER:** Indicates an imminently hazardous situation which, if not avoided, WILL result in death or serious injury.

**WARNING:** Indicates a potentially hazardous situation which, if not avoided, COULD result in death or serious injury.

**CAUTION:** Indicates a potentially hazardous situation which, if not avoided MAY result in minor or moderate injury.



The symbols set to the left of this paragraph are "Safety Alert Symbols". These symbols are used to call attention to items or procedures that could be dangerous to you or other persons using this equipment.

**ALWAYS PROVIDE A COPY OF THIS MANUAL TO ANYONE USING THIS EQUIPMENT. READ ALL INSTRUCTIONS BEFORE OPERATING THIS BIOLOGICAL RECYCLING SYSTEM AND ESPECIALLY POINT OUT THE "SAFETY WARNINGS" TO PREVENT THE POSSIBILITY OF PERSONAL INJURY TO THE OPERATOR.**

Once the unit has been uncrated, immediately write in the serial number of your unit in the space provided below.

**SERIAL NUMBER** \_\_\_\_\_

Inspect for signs of obvious or concealed freight damage. If damage does exist, file a claim with the transportation company immediately. Be sure that all damaged parts are replaced and that the mechanical and electrical problems are corrected prior to operation of the unit. If you require service, contact Customer Service.

CUSTOMER SERVICE

CALL OUR TOLL-FREE NUMBER

for the Sales or Service Center nearest you!

800-553-9053

Please have the following information available for all service calls:

1. Model Number
2. Serial Number
3. Date and Place of Purchase

# CONTENTS OF THE BIOLOGICAL RECYCLING SYSTEM

Carefully unpack your new Biological Recycling System. Check the contents against the packing list. Contact the freight line if a damage claim is required on any component. The following items are the basic equipment sent with your Biological Recycling System.

1. Sump pump
2. Blue float for sump pit (protects sump pump low level)
3. Biological Recycling System Platform
  - A. Transfer Pump
  - B. Pressurized water storage tank
  - C. Aerator Pump
  - D. Ozone Generator (Optional stainless tank)
  - E. Ozone Pump (Optional stainless tank)
4. Manual

## SPECIFICATIONS

MODEL	BIO-25R-0M10 / BIO-25R-1M10	BIO-25R-0M30 / BIO-25R-1M30	WX-0049
Maximum Flow	25 GPM		
Electrical	230 Volt 1Phase 25Amps	208-230 Volt 3Phase 15Amps	460 Volt 3Phase 8Amps
Sump Pump	1/2 HP		
Operating Capacity	1434 gallons		
Biological Media	3456 sq. ft.		
Transfer Pump (centrifugal)	2 HP		
Aerator Pump	1.5 HP		
Dimensions L x W x H	144" x 75" x 54"		
Net Weight	1400 lbs.		
Tank Material	Aluminum/ Stainless Steel		

## PURPOSE

The Biological System was designed to offer a solution to waste disposal that is economical, efficient and foremost, *environmentally safe*. As we make progress through the 21st century, environmental waste codes are becoming more and more strict. Surcharges and fines are being mandated to companies that are unable to operate within acceptable guidelines. Chemicals used to treat waste water often create by-products which in themselves cause additional code violations. The manufacturer has solved this problem by engineering a Bio-System that utilizes *microbes*, not chemicals, to literally feed off of the waste in the water allowing the final output to be cleansed of any hazardous by-products. The manufacturer realizes the need to protect and respect our environment and therefore, our Bio-Systems operate under specific microbe guidelines, utilizing microbes that (1) are natural, not genetically formulated and (2) will not cause disease.

The manufacturer has been involved in water products for over twenty-eight years. Our commitment to quality is passed on to our customers, our commitment to the environment is passed on to our children.



# IMPORTANT SAFETY WARNINGS



WARNING: When using this product, basic precautions should always be observed, including the following:

## READ ALL SAFETY WARNINGS BEFORE USING BIOLOGICAL RECYCLING SYSTEM



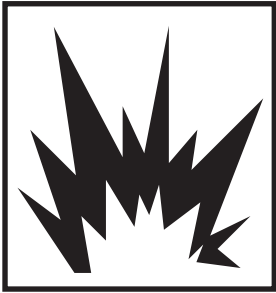

HAZARD	POTENTIAL CONSEQUENCE	PREVENTION
<p data-bbox="178 262 535 325"><b>RISK OF ELECTRIC SHOCK OR ELECTROCUTION</b></p> 	<p data-bbox="560 262 974 493">Serious injury or death could occur if the Biological Recycling System is not properly grounded. Your Biological Recycling System is powered by electricity and may cause electric shock or electrocution if not installed properly.</p> <p data-bbox="560 1081 974 1165">Electrical shock may occur if Biological Recycling System is not operated properly.</p> <p data-bbox="560 1312 974 1407">Serious injury or death may occur if electrical repairs are attempted by unqualified persons.</p>	<p data-bbox="998 262 1534 346">Installation of this unit, including all electrical connections, must comply with all local, state and national codes.</p> <p data-bbox="998 367 1534 535">This product must be grounded. Connect to a GFCI circuit breaker when available. If the unit should malfunction or breakdown, grounding provides a path of least resistance for electric current to reduce the risk of electric shock. Do not ground to a gas supply line.</p> <p data-bbox="998 556 1534 703">Improper connection of the equipment-grounding conductor can result in a risk of electrocution. Check with a qualified electrician or service personnel if you are in doubt as to whether the system is properly grounded.</p> <p data-bbox="998 724 1534 861">Always be certain the unit is receiving proper voltage (+/- 5% of the voltage listed on the nameplate). Before installing electrical connections, be certain the power switches are in the "OFF" position.</p> <p data-bbox="998 882 1534 913">Keep all connections dry and off the ground.</p> <p data-bbox="998 934 1534 1060">Do not touch pump, pump motor, discharge piping or water when the unit is connected to the power supply; regardless of whether the unit is operating correctly or experiencing an operation failure.</p> <p data-bbox="998 1081 1534 1165">DO NOT allow metal components of the Biological Recycling System to come in contact with live electrical components.</p> <p data-bbox="998 1186 1534 1302">Never operate the Biological Recycling System with safety guards/covers removed or damaged. Ensure all electrical covers are securely in place when unit is operating.</p> <p data-bbox="998 1323 1534 1438">Any electrical wiring or repairs performed on this Biological Recycling System should be done by Authorized Service Personnel in accordance with National and Local electrical codes.</p> <p data-bbox="998 1459 1534 1795">Before opening any electrical enclosure, always shut off the Biological Recycling System and drain the water. Disconnect the Biological Recycling System from the power source. If the power disconnect is not in sight, lock it in the open position and tag it to prevent power usage. (Never assume the Biological Recycling System is safe to work on just because it is not operating, it could restart at any time! Always disconnect from the power source.) Allow the Biological Recycling System components to cool down.</p>



# IMPORTANT SAFETY WARNINGS



**READ ALL SAFETY WARNINGS BEFORE USING BIOLOGICAL RECYCLING SYSTEM**



HAZARD	POTENTIAL CONSEQUENCE	PREVENTION
<p><b>RISK OF EXPLOSION OR FIRE</b></p>  	<p>Serious injury or death could occur from an explosion or fire caused by a system electric spark.</p>	<p>This unit must be placed in an area that is well ventilated, free of flammable vapors, combustible dust, gases or other combustible materials.</p>
<p><b>RISK OF BURSTING</b></p> 	<p>Serious injury or death could occur from bursting caused by excessive pressure in the system.</p> <p>Serious injury may occur if attempting to start the Biological Recycling System when the pump is frozen.</p>	<p>Do not mistreat the pressure gauges on the system. Pressure gauges will malfunction if they are subjected to excessive pressure, vibration, pulsation or temperature or if they are placed in an environment which causes corrosion of parts. Incorrect readings on a pressure gauge could mislead the operator and place him in a dangerous working condition.</p> <p>Do not use a booster pump or any type of additional pumping system. Pressurizing the suction of the pump may cause the pump body to explode.</p> <p>Do not use this Biological Recycling System to pump flammable material! An explosion could occur from a gas vapor buildup inside the system.</p> <p>In freezing temperatures, the unit must always be warm enough to ensure there is no ice formation in the pump. Do not start the Biological Recycling System if it has been in a freezing environment without first allowing the pump to thaw.</p>
<p><b>RISK OF BURNS</b></p> 	<p>Serious injury may occur from touching the electrical motor. This area can remain hot for some time after the Biological Recycling System is shutdown.</p>	<p>Never allow any part of your body to contact the electrical motor until cooled.</p>



# IMPORTANT SAFETY WARNINGS



READ ALL SAFETY WARNINGS BEFORE USING BIOLOGICAL RECYCLING SYSTEM

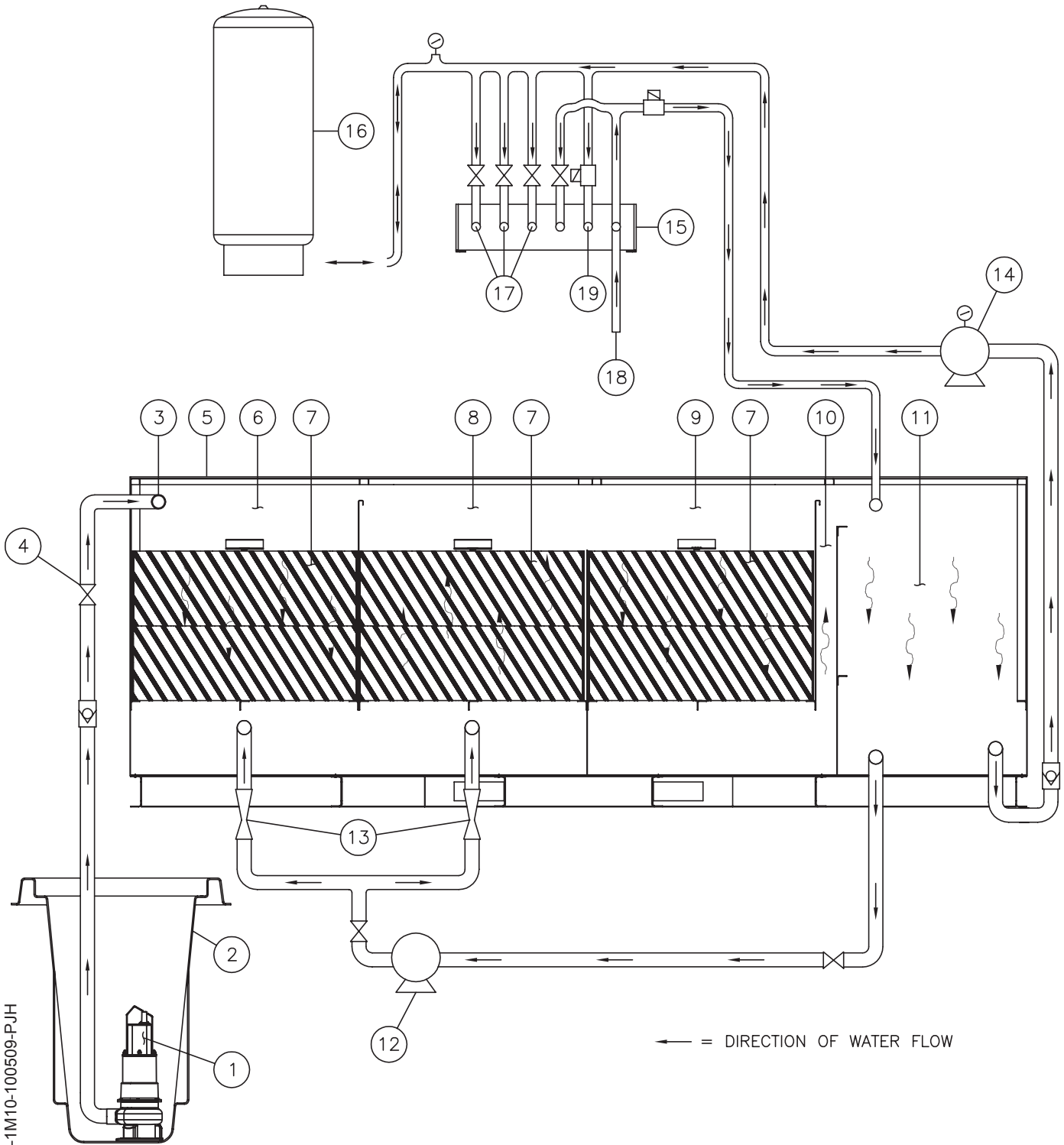
HAZARD	POTENTIAL CONSEQUENCE	PREVENTION
<p><b>RISK FROM MOVING PARTS</b></p> 	<p>Serious injury may occur to the operator from moving parts on the Biological Recycling System.</p>	<p>Do not operate the unit without all protective covers in place.</p> <p>Follow the maintenance instructions specified in the manual.</p>
<p><b>RISK OF BODILY INJURY</b></p> 	<p>Injury may occur from the Biological Recycling System.</p>	<p><b>DO NOT DRINK THE WATER IN THE BIOLOGICAL RECYCLING SYSTEM!!</b> This is non-potable water and is not suitable for consumption.</p> <p>DO NOT allow children to operate this unit.</p> <p>DO NOT overreach or stand on unstable support.</p> <p>Wet surfaces can be slippery, wear protective foot gear and keep good footing and balance at all times.</p> <p>Know how to stop the Biological Recycling System. Be thoroughly familiar with controls.</p> <p>Before servicing components, ALWAYS shut off the Biological Recycling System.</p> <p>Consult Material Safety Data Sheets (MSDS) for safe handling of system, especially oxidizers and acids.</p>



**!SAVE THESE INSTRUCTIONS!**



# BIOLOGICAL RECYCLING SYSTEM FLOW CHART



FLOW DIA. BIO-25R-35R-1M10-100509-PJH



## BIOLOGICAL RECYCLING SYSTEM FLOW CHART

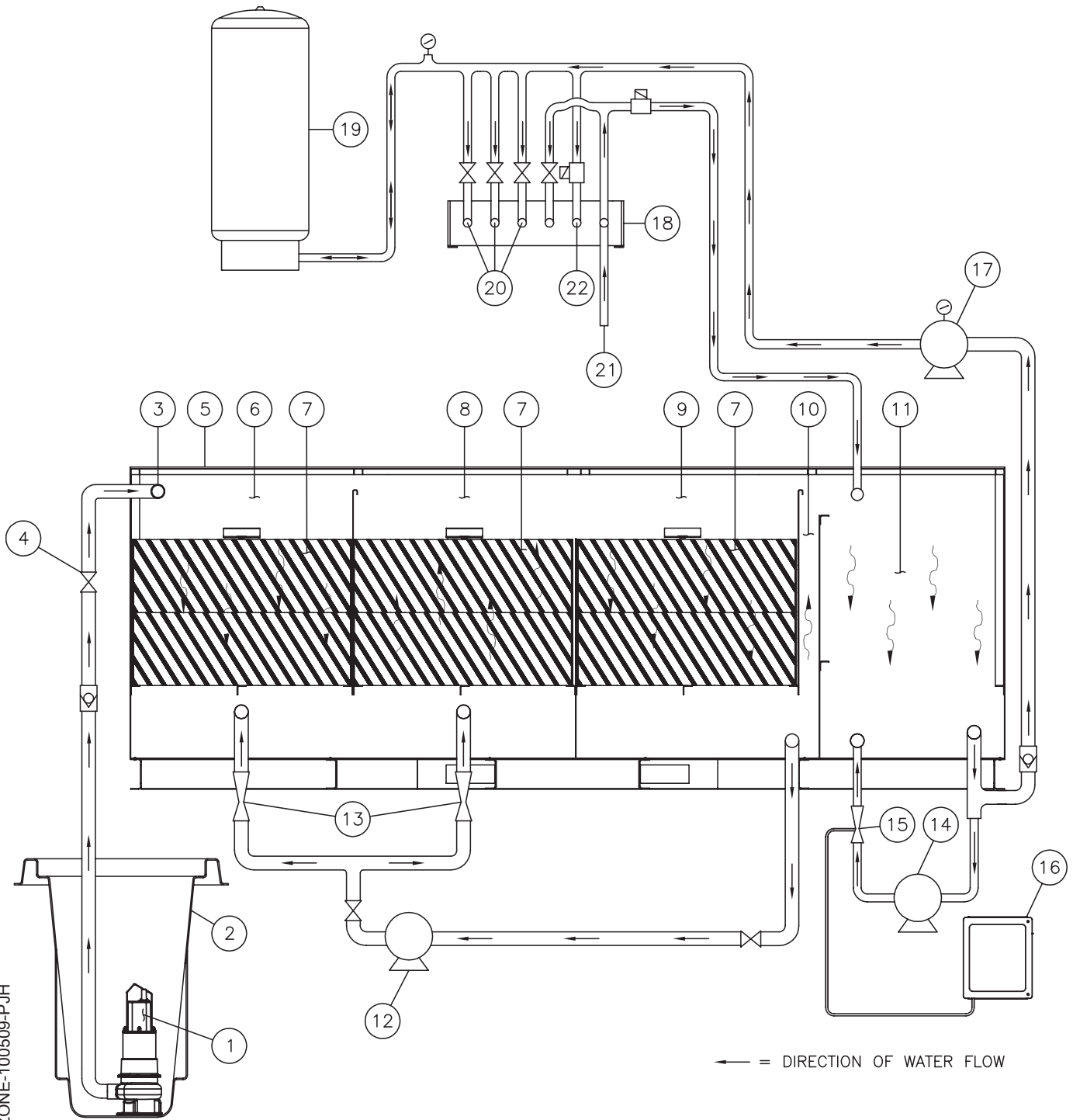
The **Sump Pump (1)** draws water from the **Sump Pit (2)** and brings it to the **Inlet (3)** of the Biological Recycling System. The **Inlet Flow Control Valve (4)** can be used to control the flow of water into the unit. The **Biological Recycling Tank (5)** is made up of several sections that are separated by weirs. The wastewater enters the top of the **First Chamber (6)** and moves down through the **Biological Media (7)**. The media packs provide a surface for the microbes to live on. As water passes through the **Biological Media (7)**, the microbes feed off of the organic compounds in the water, producing by-products of carbon dioxide and water.

From the **First Chamber (6)**, the wastewater moves under the weir, into the **Second Chamber (8)**, rising up through the **Biological Media (7)** and over the weir into the **Third Chamber (9)**. The wastewater then flows down through the **Biological Media (7)** for a final cleansing before moving into the **Water Level Control Tank (10)**. This very small section has a weir positioned to control the level of water in the **Biological Recycling Tank (5)**. The water moves over this final weir and into the **Product Tank (11)**.

Microbes also need air to live; an **Aeration Pump (12)** pumps water from the **Product Tank (11)** to two venturi **Air Injectors (13)** that pull air into the water. From there the air bubbles move up through the **Biological Media (7)**. Without the air in the Biological Recycling System, the microbes will not be able to live.

Water is also pulled from the **Product Tank (11)** by the **Transfer Pump (14)** and moved into the **Manifold (15)** and the **Pressure Tank (16)**. This tank holds water at 30-50 PSI (2.0-3.4 BAR) until needed. When water is needed for washing, water is sent from the **Manifold (15)** to the **Water Outlets (17)** and then to a pressure washer or garden hose. If the **Product Tank (11)** water level is low, water is added through the **Fresh Water Makeup (18)** to the **Product Tank (11)**. If the **Biological Recycling Tank (5)** water level is too high, treated water is sent to the **Rain Water Overflow (19)** and disposed of.

# BIOLOGICAL RECYCLING SYSTEM FLOW CHART W/OZONE (BIO-25R-1M10\_1M30 ONLY)



FLOW DIA. BIO-25R-1M10 W/OZONE-100509-PJH

## BIOLOGICAL RECYCLING SYSTEM FLOW CHART W/OZONE

The **Sump Pump (1)** draws water from the **Sump Pit (2)** and brings it to the **Inlet (3)** of the Biological Recycling System. The **Inlet Flow Control Valve (4)** can be used to control the flow of water into the unit. The **Biological Recycling Tank (5)** is made up of several sections that are separated by weirs. The wastewater enters the top of the **First Chamber (6)** and moves down through the **Biological Media (7)**. The media packs provide a surface for the microbes to live on. As water passes through the **Biological Media (7)**, the microbes feed off of the organic compounds in the water, producing by-products of carbon dioxide and water.

From the **First Chamber (6)**, the wastewater moves under the weir, into the **Second Chamber (8)**, rising up through the **Biological Media (7)** and over the weir into the **Third Chamber (9)**. The wastewater then flows down through the **Biological Media (7)** for a final cleansing before moving into the **Water Level Control Tank (10)**. This very small section has a weir positioned to control the level of water in the **Biological Recycling Tank (5)**. The water moves over this final weir and into the **Product Tank (11)**.

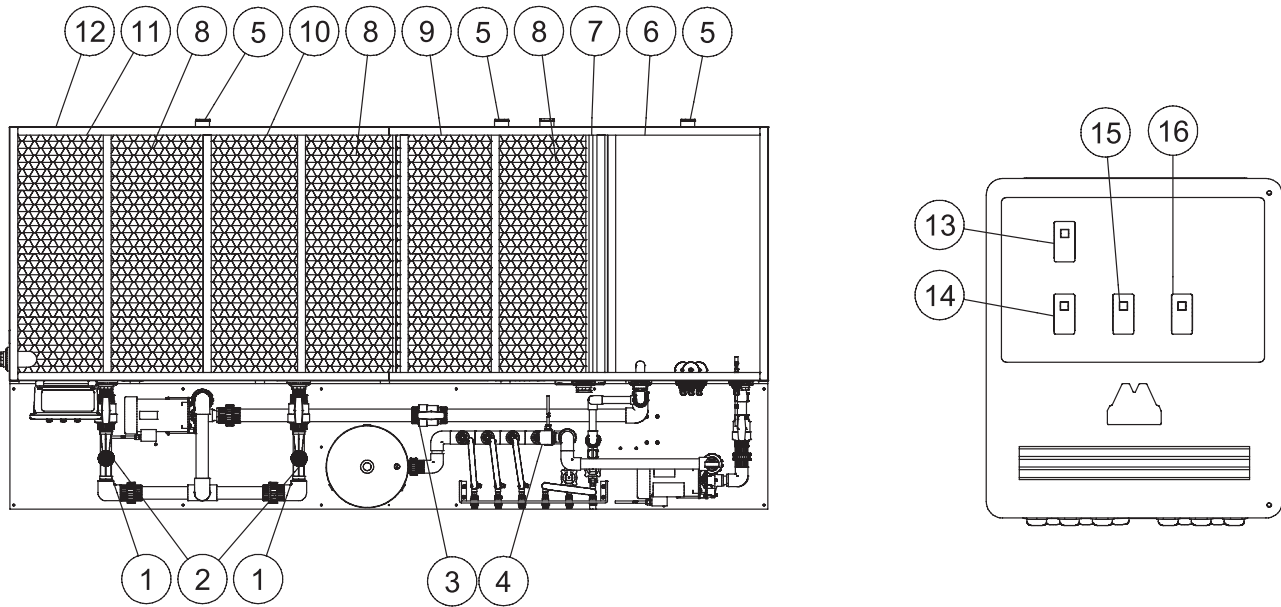
Microbes also need air to live; an **Aeration Pump (12)** pumps water from the **Third Chamber (9)** to two venturi **Air Injectors (13)** that pull air into the water. From there the air bubbles move up through the **Biological Media (7)**. Without the air in the Biological Recycling System, the microbes will not be able to live.

To inject ozone into the system, water is pulled from the **Product Tank (11)** by the **Ozone Pump (14)** and pushed through a venturi in the **Ozone Injector (15)**. The oxygen from the air is converted into ozone by the **Ozone Generator (16)**.

Water is also pulled from the **Product Tank (11)** by the **Transfer Pump (14)** and moved into the **Manifold (18)** and the **Pressure Tank (19)**. This tank holds water at 30-50 PSI (2.0-3.4 BAR) until needed. When water is needed for washing, water is sent from the **Manifold (18)** to the **Water Outlets (20)** and then to a pressure washer or garden hose. If the **Product Tank (11)** water level is low, water is added through the **Fresh Water Makeup (21)** to the **Product Tank (11)**. If the **Biological Recycling Tank (5)** water level is too high, treated water is sent to the **Rain Water Overflow (22)** and disposed of.

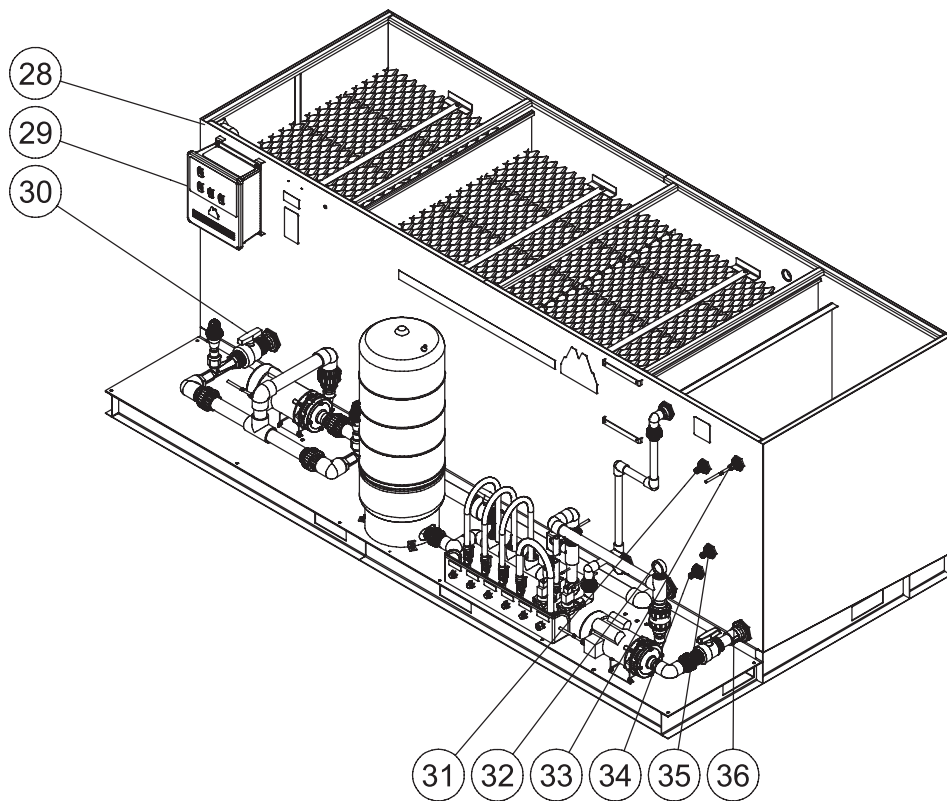
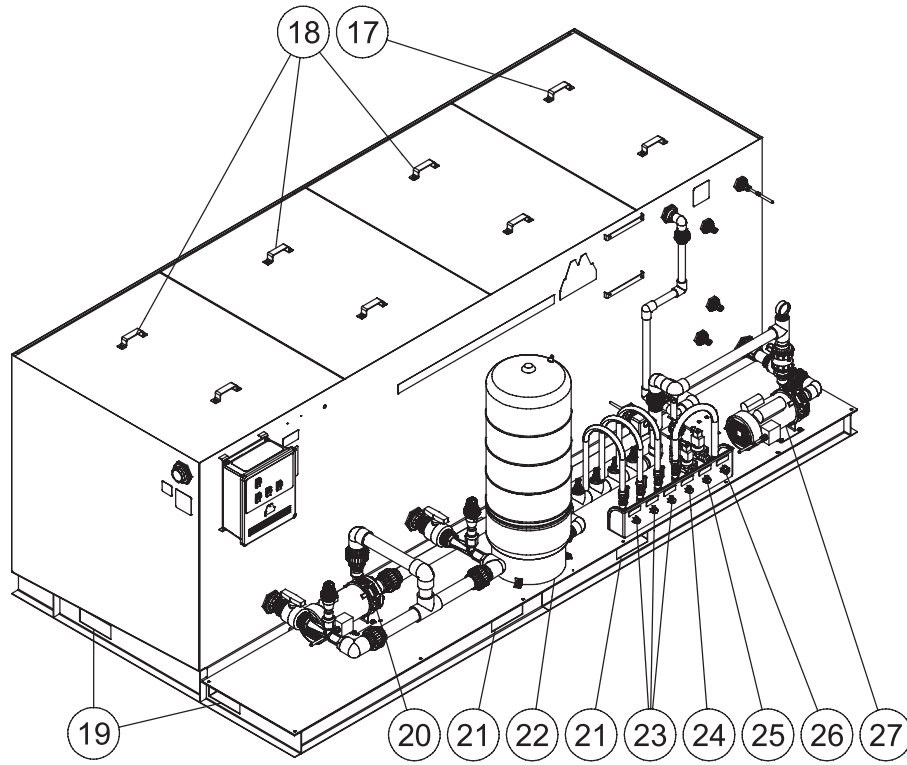
# BIOLOGICAL RECYCLING SYSTEM FEATURES

BIO-25R FEATURES\_1 041614 MLKH



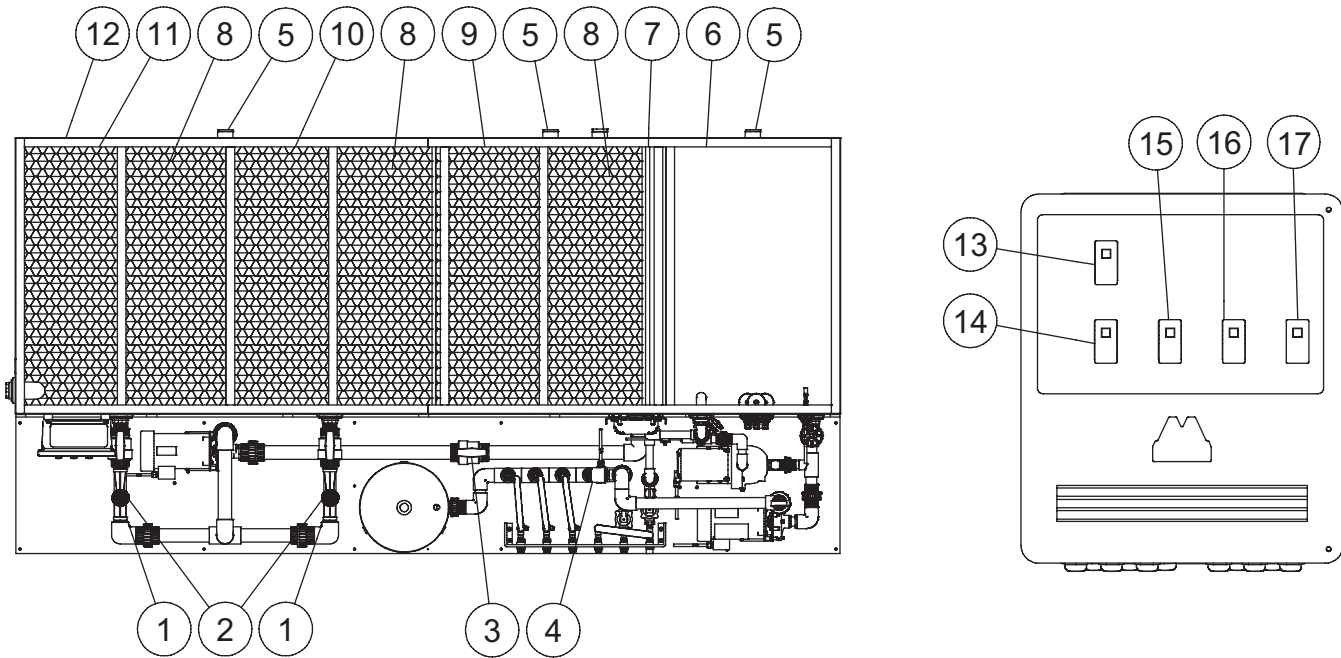
BIO FEATURES			
ITEM	DESCRIPTION	ITEM	DESCRIPTION
1	AIR INJECTOR	19	END FORK LIFT HOLD (6' OR GREATER FORK REQUIRED)
2	AIR INTAKE (AERATOR)	20	AERATOR PUMP
3	AERATOR PUMP INLET VALVE	21	SIDE FORK LIFT HOLES
4	PRESSURE SWITCH	22	PRESSURE TANK
5	DRAIN PORT	23	WATER OUTLET
6	PRODUCT TANK	24	RINSE WATER
7	WATER LEVEL CONTROL TANK	25	RAIN WATER OVERFLOW
8	BIOLOGICAL MEDIA	26	FRESH WATER MAKE-UP
9	THIRD CHAMBER	27	TRANSFER PUMP
10	SECOND CHAMBER	28	INLET
11	FIRST CHAMBER	29	CONTROL PANEL
12	BIOLOGICAL TANK	30	AERATOR PUMP OUTLET
13	MASTER SWITCH	31	RAIN WATER OVERFLOW FLOAT
14	SUMP PUMP SWITCH	32	PRESSURE GAUGE
15	AERATOR SWITCH	33	LEVEL LIMIT SWITCH
16	TRANSFER PUMP SWITCH	34	TRANSFER PUMP FLOAT
17	PRODUCT TANK LID	35	FRESH WATER MAKE-UP FLOAT
18	TANK LID	36	TANK OUTLET

# BIOLOGICAL RECYCLING SYSTEM FEATURES



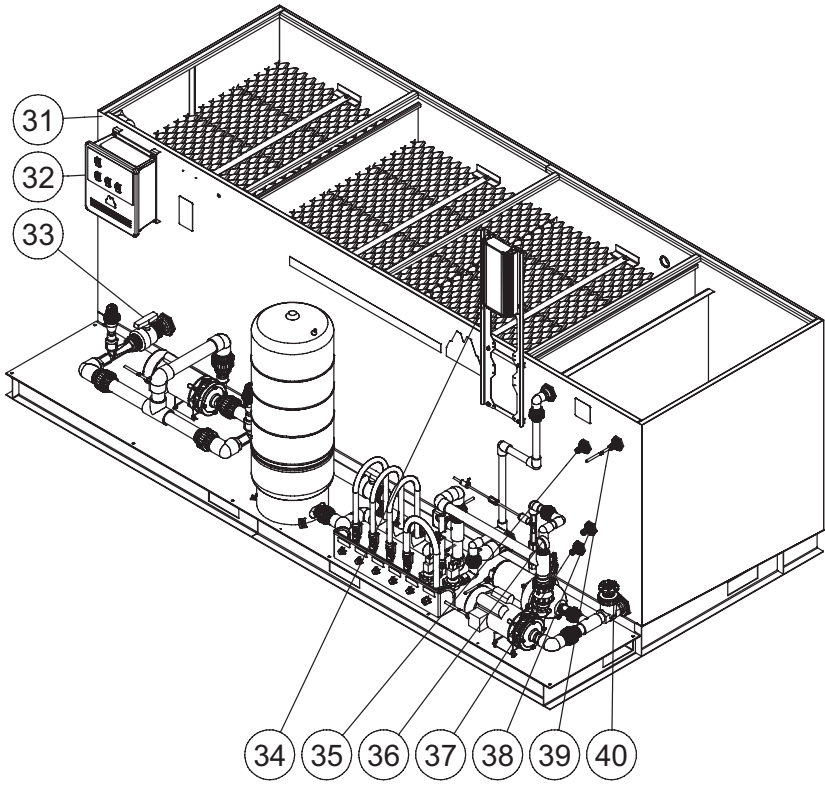
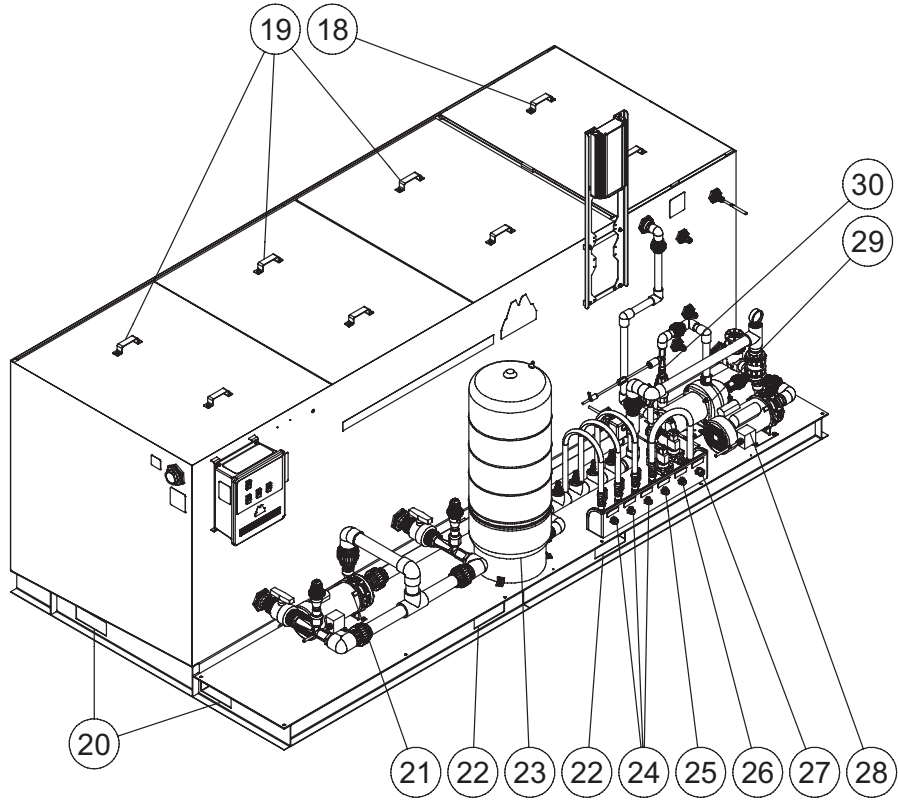
# BIOLOGICAL RECYCLING SYSTEM FEATURES W/OZONE

BIO-25R WITH OZONE FEATURES\_2\_050814-MLK



ITEM	DESCRIPTION	ITEM	DESCRIPTION
1	AIR INJECTOR	21	AERATOR PUMP
2	AIR INTAKE (AERATOR)	22	SIDE FORK LIFT HOLES
3	AERATOR PUMP INLET VALVE	23	PRESSURE TANK
4	PRESSURE SWITCH	24	WATER OUTLET
5	DRAIN PORT	25	RINSE WATER
6	PRODUCT TANK	26	RAIN WATER OVERFLOW
7	WATER LEVEL CONTROL TANK	27	FRESH WATER MAKE-UP
8	BIOLOGICAL MEDIA	28	TRANSFER PUMP
9	THIRD CHAMBER	29	INLET
10	SECOND CHAMBER	30	OZONE PUMP
11	FIRST CHAMBER	31	OZONE INJECTOR
12	BIOLOGICAL TANK	32	CONTROL PANEL
13	MASTER SWITCH	33	AERATOR PUMP OUTLET
14	SUMP PUMP SWITCH	34	OZONE GENERATOR
15	AERATOR SWITCH	35	RAIN WATER OVERFLOW FLOAT
16	OZONE PUMP SWITCH	36	PRESSURE GAUGE
17	TRANSFER PUMP SWITCH	37	TRANSFER PUMP FLOAT
18	PRODUCT TANK LID	38	FRESH WATER MAKE-UP FLOAT
19	TANK LID	39	LEVEL LIMIT SWITCH
20	END FORK LIFT HOLD (6' OR GREATER FORK REQUIRED)	40	TANK OUTLET

# BIOLOGICAL RECYCLING SYSTEM FEATURES W/OZONE



BIO-25R WITH OZONE FEATURES\_112614-MLK

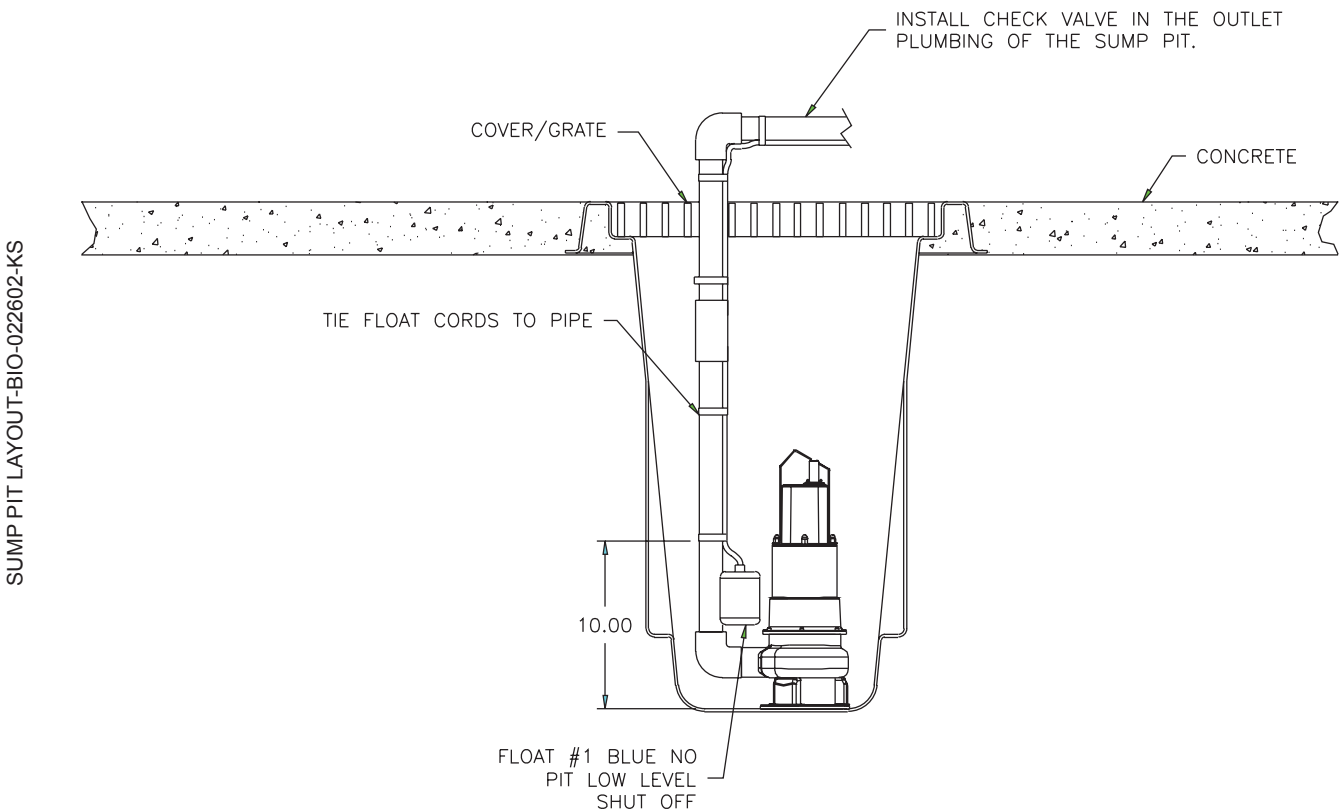
# INSTALLATION

## ATTIRE:

1. Proper attire is essential to your safety. It is advised to utilize whatever means necessary to protect eyes, ears, and skin.

## INSTALLATION:

1. A Collection Pit System must already be an established structure before installing the Biological Recycling System. A well designed pit system is critical for the proper operation of the recycle system. Consult your dealer for installation requirements.
2. Place the Biological Recycling System platform on a hard, level surface in an area free of flammable vapors, combustible dust, gases or other combustible materials.
3. Set the unit so you have access to the Control Panel and Drain Ports.
4. Do not place unit in an area:
  - a. with insufficient ventilation.
  - b. where environmental hazards (i.e. rain and snow) can come in contact with the Biological Recycling System.
  - c. that can lead to a freezing environment.
5. Check all union connections for tightness.
6. Install schedule 80 PVC connections to the water inlet of the Biological Recycling System.
7. Install the Sump Pump in the Sump Pit as shown below.
8. Install plumbing from the Sump Pump using 1 1/2" minimum connection sizes.
9. Install the blue float in the Sump Pit. Attach the float 10" above the bottom of the Sump Pump. Allow a 2" tether and enough room for them to move freely without interfering with the plumbing.



10. A qualified electrician must hook up the electrical system.
  - a. Verify the electrical supply at the power source is off.
  - b. Be certain all switches on the Control Panel are in the "OFF" position.
  - c. Run water tight conduit
    1. From the Sump Pump and Float to the Control Panel.
    2. From the local disconnect to the Control Panel. The electrician will need to drill holes in the Control Panel for the conduit.
  - d. Make connections to the terminal strips as shown in the wiring diagram on the following page.

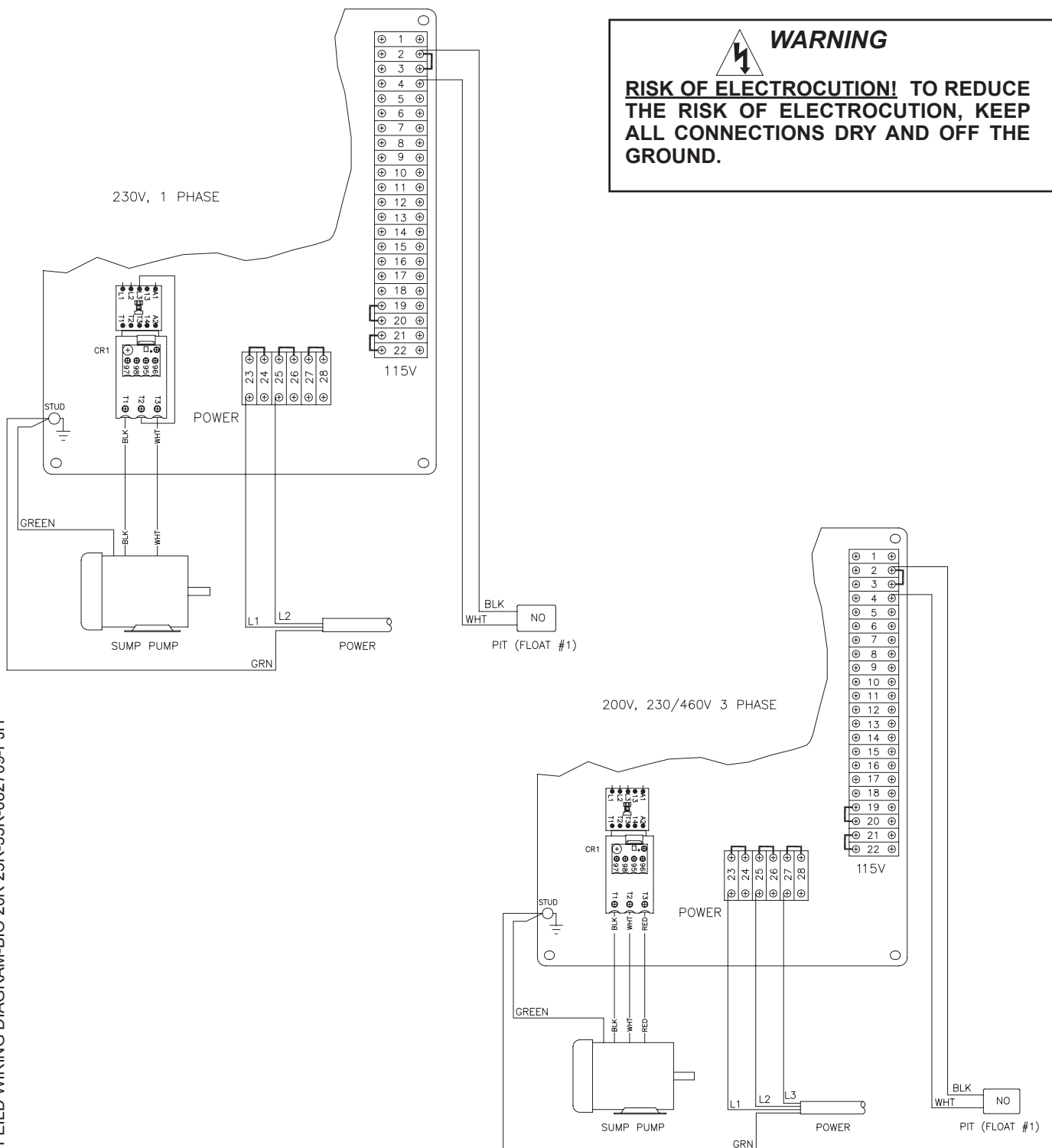


# INSTALLATION

11. Make the following piping connections:

- a. From a pressurized water supply to the Fresh Water Makeup.
- b. From the Pressure Washer Outlet to a pressure washer or garden hose.
- c. From the Rain Water Overflow to storage tank for further processing or disposal. Do not send the water back to Sump Pit.

**NOTE:** In most cases, you must have a permit to legally dispose recycled water.



FIELD WIRING DIAGRAM-BIO 20R 25R-35R-082709-PJH

# STOP

**TO ENSURE YOUR WATER RECYCLE TREATMENT SYSTEM OPERATES SAFELY AND EFFICIENTLY, COMPLETE THE PRE-OPERATION CHECKLIST BEFORE PROCEEDING.**

## PRE-OPERATION CHECKLIST

Before proceeding, answer all the questions on this checklist.	YES	NO
<b>CODES:</b>		
1. Does the electrical wiring meet all codes?		
2. Does plumbing meet all codes?		
<b>LOCATION:</b>		
1. Is the unit located on a hard level surface free of flammable vapors, combustible dust, gases or other combustible materials?		
2. Is the unit located in a large ventilated area?		
<b>ELECTRICAL:</b>		
1. Is the unit properly grounded?		
2. Does the power supply, voltage and amperage match the data plate?		
<b>PLUMBING:</b>		
1. Is the plumbing sized correctly?		
2. Are all plumbing connections secure?		
<b>GENERAL:</b>		
1. Have all operators using this unit read and understood this entire manual?		
2. Has the unit been installed by qualified service people who followed the instructions listed in this manual?		

**IF "NO" WAS MARKED TO ANY OF THESE QUESTIONS, CORRECT THE SITUATION BEFORE OPERATING.**

# PREPARATION

## PRESTART PROCEDURES:

1. Position the valves on the Biological Recycling System as follows for start up of the system.
    - A. Aeration Pump Inlet Valve: Turn valve open.
    - B. Aeration Pump Outlet Valve: Turn valve open.
    - C. Water Outlet Valves: Turn valves closed.
  2. Be certain all plumbing/hoses are tight and properly connected.
  3. Be certain the incoming air to the Air Injectors is not obstructed.
  4. Be certain all switches on the Control Panel are in the "OFF" position.
- 

## START-UP:

1. Ensure all Hold Down Angles are fastened into Biological Tank
2. Turn power from main disconnect "ON".
3. Turn on the Master Switch, water from the Freshwater Inlet will start filling the Product Tank.
4. When the Product Tank is full, prime the Transfer Pump by opening the union immediately after the Transfer Pump until water starts to flow out, then tighten union again.
5. Turn on the Transfer Pump Switch to pressurize the Manifold and Pressure Tank.
6. Turn on the Sump Pump Switch.

### OZONE OPTION ONLY:

- a. Prime the Ozone Pump by opening the union immediately after the Ozone Pump until the water starts to flow out, than tighten the union again.
  - b. Turn on the Ozone Pump Switch.
7. Operate the aeration loop on the Biological System for one hour before adding the manufacturer's microbes.

## OPERATION

### RECOMMENDED ADDITION OF MICROBES:

*Note: It is recommended to add a quick dissolve monthly inoculation microbe pack to the system at start up to help establish a microbial colony.*

1. For regular use dose bacteria product either daily (for liquid products) or monthly (for dry products).
2. Monitor the system closely to insure that a proper amount of bacteria is being dosed into the system during your inoculation periods. If the product water is not to a standard that is appropriate for your facility, more bacteria may need to added to the system more frequently.
3. Continue your inoculation schedule for the life of the system to insure proper function (After system has been drained a quick dissolve monthly inoculation microbe pack should be used when the system is charged again).
4. When placing either the dry product or injecting the liquid bacteria into the system, it should be a microbe product appropriate for your waste stream and should be dosed close to the inlet of the system..

The manufacturer's microbes are most active and effective when the water temperature is between 70°F and 100°F. For climates where freezing temperatures are experienced, the Biological System should be enclosed in a heated room.

---

## MAINTENANCE

### ROUTINE MAINTENANCE:

1. Pits should be kept free from large amounts of sludge.
2. For most applications, 1 package of dry bacteria or 1 slow dissolving puck should provide enough "new" bacteria to maintain a healthy colony (with liquid closing 6oz./day should provide theh same coverage) The media pack should feel "slimy" to the touch when the microb colony is established. (If you are not seeing an appropriate water quality your applications may require more microbes because the contaminant level or your flow needs to be reduced.
3. The pH of the water should not be lower than 5.5 or higher than 8.5 at any given time.
4. If soap is necessary for washing, the soap should be of a neutral pH (approximately 7).

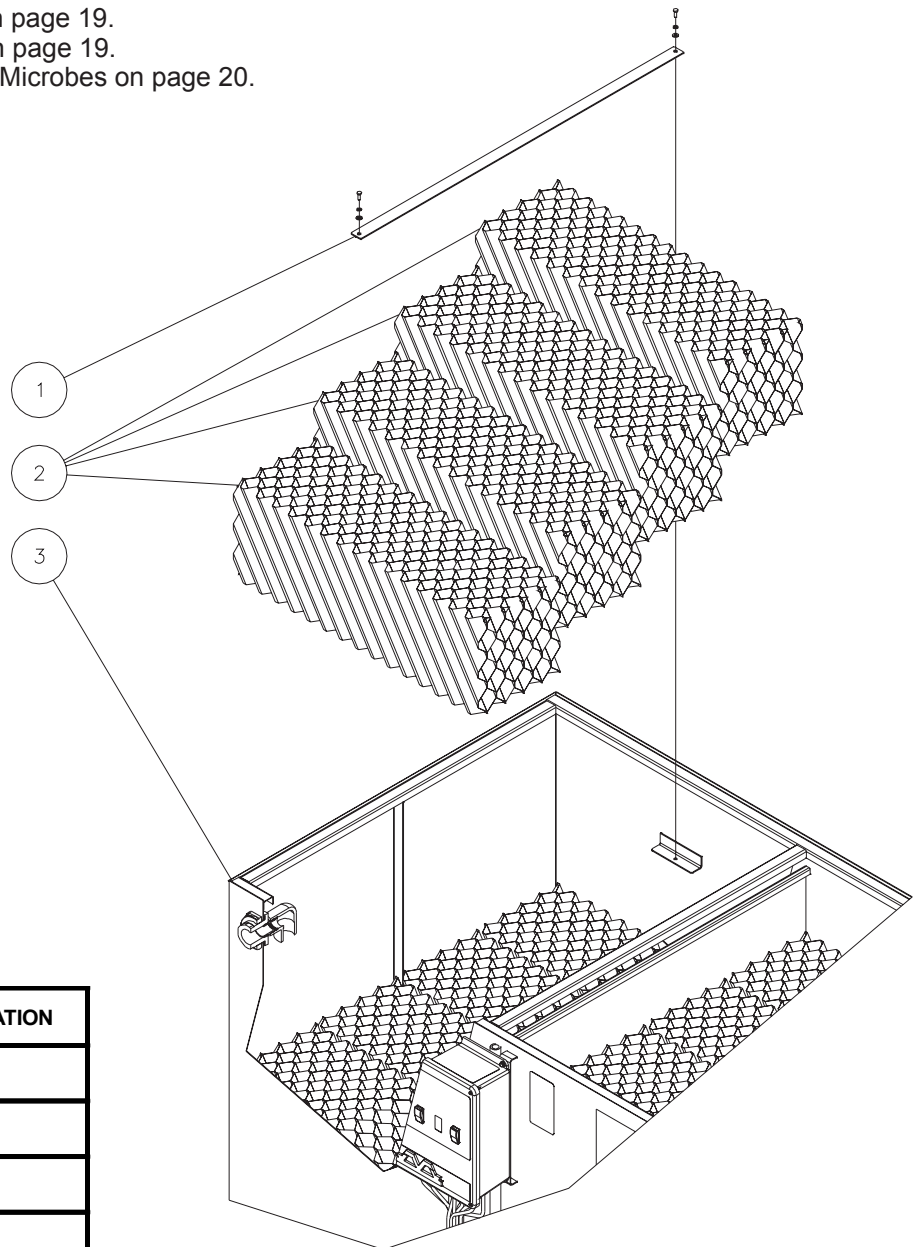
# MAINTENANCE

## WINTERIZING:

1. Turn all switches on the Control Panel to the off position and disconnect power to the Control Panel.
2. Shut off all water connections to the Biological Recycling System
3. Remove the drain plug from the Transfer Pump.
4. Remove the drain plugs from the Biological Tank, clean the tank and Biological Media and wipe down the system.
5. Open all valves on the Manifold.
6. Loosen the Freshwater Make-up connection, Pressure Washer Outlet connection, Rainwater Overflow connection and Tank Inlet connection.
7. Open the check valve near the Sump Pit and drain the water transport line. Remove the Sump Pump from the Sump Pit.
8. Store all chemicals at room temperature (Bacteria should be kept in a cool dry plate to extend its shelf life).

## TO OPERATE UNIT AFTER WINTERIZING:

1. Follow Installation Instructions on page 16.
2. For ease of reinstalling Biological Media, place media at an angle. After media is replaced, the Hold Down Angles must be fastened into the Biological Tank before filling. This prevents the Biological Media from rising out of the tank and also supports the tank sides.
3. Follow Prestart Procedures on page 19.
4. Follow Start-up Procedures on page 19.
5. Follow Procedures for adding Microbes on page 20.



BIOLOGICAL MEDIA INSTALLATION	
REF. #	DESCRIPTION
1	Strap
2	Biological Media
3	Biological Tank

BIOLOGICAL MEDIA INSTALLATION-BIO-062602-KS

## TROUBLESHOOTING

SYMPTOM	PROBABLE CAUSE	REMEDY
<b><i>ELECTRICAL</i></b>		
No power at Control Panel.	Power failure to Control Panel.	Check circuit breaker at power source or contact your local distributor.
Power Indicator Light is OFF.	Blown fuses inside Control Panel on step down transformer.	Check fuses, replace if necessary. If fuses are OK, contact your distributor.
<b><i>SUMP PUMP</i></b>		
Sump Pump will not run.	Float is not adjusted correctly in the Sump Pit.	Readjust.
	Blue float in sump pit is defective.	Replace.
	Level Limit Switch in the Product Tank has flipped up.	Push Level Limit Switch down, or remove excess water in the Product Tank.
	Circuit overload/breaker has tripped.	Reset breaker or replace fuse at power source.
	Motor overload.	Allow motor to cool. Motor will automatically restart when cool.
	Motor is defective.	Replace motor.
Sump Pump motor starts and stops frequently during operation.	This is a common occurrence.	Allow pits to fill.
	Sump Pump impeller is clogged.	Disconnect power and unclog impeller.
	Motor overload.	Allow motor to cool. Motor will automatically restart when cool.
	Sump Pit is not large enough.	Expand size of pit.
Sump Pump runs, but there is little or no water discharge.	Water level is below pump inlet.	Ensure blue float in pit is not caught in plumbing.
	There is an air lock in the Sump Pump.	Manually fill the inlet pipe with water. Turn the Sump Pump on and off several times.
	Low voltage.	Ensure wire size is capable of handling the rated amperage of the unit. If wire size is correct, contact your distributor.
	Sump Pump impeller is clogged.	Disconnect power and unclog impeller.
	Worn pump parts.	Contact your distributor.
Sump Pump will not turn off.	Defective switch inside blue float in pit.	Replace.
	Pump is air locked.	Cycle pump in one minute increments several times to clear air from pump. If system includes a check valve, a 3/16" hole should be drilled in the discharge pipe approximately 2" above the discharge connections.

## TROUBLESHOOTING

SYMPTOM	PROBABLE CAUSE	REMEDY
<b>BIO-SYSTEM TANK</b>		
Water will not flow into the Bio-System Tank.	Sump Pump is not turned on.	Move Sump Pump Switch to "ON"
	Circuit breaker has tripped or is "OFF".	Reset or turn breaker "ON".
	Dirt is lodged in the inlet check valve.	Clean.
	Sump Pump impeller is clogged.	Disconnect power and clean.
	Lines or valves contain frozen water.	Allow to thaw. Inject with warm water if necessary.
	Freshwater Make-up solenoid malfunctioning.	Repair or replace.
	Freshwater Make-up Float #4 in Product Tank tangled or malfunctioning.	Repair or replace.
<b>TRANSFER PUMP</b>		
Transfer Pump will not run.	Circuit overload/breaker has tripped.	Reset breaker or replace fuse.
	Motor overload.	Allow motor to cool. Motor will automatically restart when cool.
	Transfer Pump Float #3 tangled or malfunctioning.	Repair or replace.
	Pressure Switch malfunctioning.	Replace.
Transfer Pump runs but there is no water discharge OR Transfer Pump cycles excessively.	Pump sucking air.	Eliminate leaks and tighten all connections on intake line.
	Check valve is leaking or stuck in closed position.	Clean or replace as necessary.
	Lines or valves contain frozen water.	Allow to thaw. Inject with warm water if necessary. Ensure the Sump Pit remains above freezing.
	Pump impeller is obstructed.	Contact your local distributor.
	Pump motor is operating below maximum RPM.	Contact your local distributor.
	Too much pressure in Pressure Tank.	Check PSI in Pressure Tank with no water in tank. Pressure should be 25 PSI / 1.72 Bar.
	Pressure Switch needs adjusting.	Pressure Switch should be set to start Transfer Pump at 30 PSI / 2.07 Bar.
Transfer Pump is hot or turns off.	Low voltage.	Ensure wire size is capable of handling the rated amperage of the unit. If wire size is correct, contact your local distributor.
	Motor overload.	Allow motor to cool. Motor will automatically restart when cool.

## TROUBLESHOOTING

SYMPTOM	PROBABLE CAUSE	REMEDY
<b>SHAFT SEALS</b>		
Water is leaking at <b>Transfer Pump</b> .	Damaged mechanical seal.	Seal ran dry. Ensure seal chamber is filled with liquid.
Short seal life.	Unexpected temperature and chemical usage.	Replace with more resistant seal.

## ODOR

Excessive odor in water system.	Not enough microbes in the system to maintain water balance.	Increase the microbe inoculation.
	Too much waste water for microbes to digest.	Use of chemical injection or use of an additional Bio-System may be necessary.
	*****Water remains dormant in the system too long causing bacteria buildup.	The Biological System and Aerator System should be on 24 hours per day.

## WATER FLOW

Air shoots from Water Outlet.	This is a common occurrence while pump is priming.	Air will stop shooting from the water outlet when pump is primed.
	Transfer Pump is sucking air at suction inlet.	Eliminate leaks or tighten connection.

## SOLENOIDS

Solenoid valve won't turn on.	Low or no water pressure.	Turn off water, switch solenoids between valves. Turn on water. If problem is corrected, replace faulty solenoid.
	No electrical contact to solenoid.	Contact your local distributor.
Solenoid valve leaks when turned off.	Solenoid is obstructed.	Turn off water, remove and clean solenoid.
	Damaged solenoid.	Replace.
	Solenoid o-ring is misaligned or damaged.	Realign or replace.
	Diaphragm seat is dirty.	Clean or replace.
	Diaphragm is damaged.	Replace.



## REPLACEMENT PARTS

<b><u>DESCRIPTION</u></b>	<b><u>REORDER#</u></b>
Microbes-Hydrocarbon/VOC mix.....	RC-2001-0001
Microbes-Golf Course Mix.....	RC-2002-0001
Microbes-Fats, Oil and Grease.....	RC-2003-0001
Test Strips.....	33-0314
Viton/Silicon Carbide Mechanical Seal.....	26-0395
Microbes: Grease treat conc. (5 gal) .....	RC-2008-0005
Microbes: Hydrocarbon conc. (5 gal).....	RC-2009-0005
Microbes: Pond conc. (5 gal).....	RC-2010-0005
Microbes: Enzyme/Microbe con. (5 gal) .....	RC-2011-0005
Microbes: Grease treat 2lb solid.....	RC-2012-0002
Microbes: Waste treat 2lb solid .....	RC-2013-0002
Microbes: Hydrocarbon 2lb solid .....	RC-2014-0002
Microbes: Grease treat tab .....	RC-2015-0001
Microbes: Waste treat tab.....	RC-2016-0001
Microbes: Hydrocarbon tab .....	RC-2017-0001
Microbes: Grease treat con. (1 qt.).....	RC-2018-0001
Microbes: Hydrocarbon con. (1 qt.).....	RC-2019-0001
Microbes: Pond conc. (1qt.).....	RC-2020-0001

## STATEMENT OF WARRANTY

The manufacturer warrants all parts (except those referred to below) of your new Biological Recycling System to be free from defects in materials and workmanship during the following periods:

For One (1) Year from the date of original purchase.

Defective parts not subject to normal wear and tear will be repaired or replaced at the manufacturers option during the warranty period. In any event, reimbursement is limited to the purchase price paid.

### EXCLUSIONS

1. The motor is covered under separate warranty by its respective manufacturer and is subject to the terms set forth therein.
2. Normal wear parts:

Seals	Filters	Gaskets
O-rings	Packings	Pistons
Valve Assembly	Brushes	Microbes
Sensors		
3. Parts damaged due to:
  - normal wear, misapplication, modifications/alterations, abuse,
  - operation at other than recommended speeds, pressures or temperature,
  - the use of caustic liquids,
  - chloride corrosion or chemical deterioration,
  - fluctuations in electrical or water supply,
  - operating unit in an abrasive, corrosive or freezing environment.
4. Parts damaged by failure to follow recommended:
  - installation, operating and maintenance procedures.
5. This warranty does not cover the cost of:
  - normal maintenance or adjustments,
  - labor charges,
  - transportation charges to Service Center,
  - freight damage.
6. The use of other than genuine parts will void warranty. Parts returned, prepaid to the manufacturers factory or to an Authorized Service Center will be inspected and replaced free of charge if found to be defective and subject to warranty. There are no warranties which extend beyond the description of the face hereof. Under no circumstances shall the manufacturer bear any responsibility for loss of use of the unit, loss of time or rental, inconvenience, commercial loss or consequential damages.

---

## NOTES

## Tabla de Materias

INTRODUCCION.....	29
MATERIAS DE SISTEMA BIOLÓGICO DEL RECICLAJE.....	30
ESPECIFICACIONES .....	30
INTENCION.....	30
ADVERTENCIAS IMPORTANTES DE SEGURIDAD.....	31-33
RIESGO DE DESCARGAS ELÉCTRICAS O ELECTROCUCION .....	31
RIESGO DE EXPLOSION DE INCENDIO.....	32
RIESGO DE ESTALLIDO.....	32
RIESGO DE QUEMADURAS .....	32
RIESGO DE PARTES EN MOVIMIENTO .....	33
RIESGO DE LESIONES GRAVES .....	33
TABLAS DE FLUJO .....	34-37
TABLAS DE FLUJO DE SISTEMA BIOLÓGICO DEL RECICLAJE.....	34-35
TABLAS DE FLUJO DE SISTEMA BIOLÓGICO DEL RECICLAJE CON OZONO .....	36-37
COMPONENTES .....	38-41
COMPONENTES DE SISTEMA BIOLÓGICO DEL RECICLAJE .....	38-39
COMPONENTES DE SISTEMA BIOLÓGICO DEL RECICLAJE CON OZONO .....	40-41
INSTALACION.....	42-44
ROPA .....	42
INSTALACION .....	42-43
LISTA DE CONTROL PARA HACER ANTES DE EMPEZAR .....	44
PREPARACION.....	45
PROCEDIMIENTOS DE ANTES DE EMPEZAR .....	45
ARRANQUE.....	45
OPERACION.....	46
AGREGANDO MICROBIOS .....	46
MANTENIMIENTO .....	46-47
MANTENIMIENTO RUTINO .....	46
LISTA PARA EL INVIERNO.....	47
LOCALIZACION DE FALLAS .....	48-50
PARTES DE REEMPLACE .....	51
DECLARACION DE GARANTIA.....	52
NOTAS .....	53-55

### ▲ ADVERTENCIA

▲ ADVERTENCIA: Este producto puede exponerlo a productos químicos, incluido el plomo, que el Estado de California conoce a causar cáncer y defectos congénitos u otros daños reproductivos. Para obtener más información, visite [www.P65Warnings.ca.gov](http://www.P65Warnings.ca.gov)

### ▲ ADVERTENCIA

▲ ADVERTENCIA: Este producto puede exponerle a químicos incluyendo carbon monoxide, que es conocido por el Estado de California como causante de defectos de nacimiento u otros daños reproductivos. Para mayor información, visite [www.P65Warnings.ca.gov](http://www.P65Warnings.ca.gov).

## ¡IMPORTANTE!

### TANQUE DE ALUMINIO Y USO DE QUIMICAS

**Las sustancias químicas listaron abajo no debe ser utilizado en cualquier tanque de aluminio a causa de reacciones con la aleación. Estas sustancias químicas pueden causar el fracaso prematuro a su tanque. El uso de cualquiera del listado sustancias químicas hacen vacío cualquier garantía expresadas o implicadas por Mi-T- M con respecto a su sistema del tratamiento del agua.**

#### **LAS QUIMICAS PARA EVITAR:**

**El Cloruro del aluminio, el Amoniaco, Hidróxido de Amoniaco, Sales de Bario, Cloruro de Calcio, el tetracloruro de carbono, la Sosa Cáustica, el Cloro, el Cloroformo, el Acido Clorhídrico, el Agua Oxigenada, Cloruro de Metilo, Oxálico Acido, Ozono, el Acido de Perchloric, Fosfórico Acido, el Carbonato de Potasio, Hidróxido de Potasio, el Carbonato de Sodio, Cloruro de Sodio, Hidróxido de Sodio, Sulfúrico Acido, Trichloro-Acético Acido, Cloruro de Zinc.**

**Si usted está inseguro acerca de una sustancia química que reacciona con su tanque de aluminio, consulta por favor con su representante.**

## INTRODUCTION

¡ Felicitaciones por la compra de su nuevo Sistema biológico del Reciclaje. Puede estar seguro que su sistema biológico del reciclaje fue construida con el nivel más. Cada componenete ha sido probado rigurosament por técnicos para asegurar la calidad, la resistencia y el rendimiento de esta unidad.

Este manual del operador fue compliado para su beneficio. Leyendo y siguiendo los pasos simples de seguridad, instalación, operación, mantenimiento, localización de fallas descritos en este manual ayudará a prolongoar aun más la operación libre de fallas que usted puede esperar de su compresor de aire eléctrico. El contenido de este manual está basado en la información actualizada disponible al momento de la publicación. El fabricante se reserva el derecho de efectuar cambios en precio, color, materiales, equipo, especificaciones o modelos en cualquier momento sin previo aviso.

### ¡IMPORTANTE!

Estos párrafos están rodeados por una “CASILLA DE ALERTA DE SEGURIDAD”. Esta casilla se usa para designar y enfatizar las Advertencias de Seguridad que deben seguirse al operar este sistema biológico de reciclaje.

Acompañando a las Advertencias de Seguridad están las “palabras de alerta” usadas en este manual son las siguientes:

**PELIGRO:** Indica una situación inminente riesgosa la cual, si no se evita, RESULTARA en la muerte o en lesiones graves.

**ADVERTENCIA:** Indica una situación potencialmente riesgosa la cual, si no se evita, PODRIA resultar en la muerte o en lesiones graves.



**PRECAUCION:** Indica una situación potencialmente riesgosa la cual, si no se evita PUEDE resultar lesiones menores o moderadas.



Los símbolos que están a la izquierda de este párrafo son los “Símbolos de Alerta de Seguridad.” Estos símbolos se usan para alertarlo acerca de artículos o procedimientos que podrían ser peligrosos para usted u otras personas que usan este equipo.



**SIEMPRE PROVEA UNA COPIA DE ESTE MANUAL A ALGUIEN QUE USE ESTE EQUIPO. LEA TODAS LAS INSTRUCCIONES ANTES DE OPERAR ESTE SISTEMA BIOLÓGICO DE RECICLAJE PARA EVITAR LA POSIBILIDAD DE LESIONES PERSONALES AL OPERADOR.**



Escriba el número de serie de su unidad en espacio provisto abajo, una vez que la unidad haya sido desempacada.

NUMERO DE SERIE \_\_\_\_\_

Inspeccione por daño obvio u ocultado del contenido de la caja. Si el daño existe, haga un reclamo con la compañía del transporte inmediatamente. Esté seguro que todas partes dañadas se reemplazan y que los problemas mecánicos y eléctricos se corrigen antes de la operación de la unidad. Si usted requiere el servicio, contacte el Servicio de Cliente.

SERVICIO DE CLIENTE

LLAME NUESTRO NUMERO GRATIS

para las Ventas o el Centro de reparaciones más cercano usted!

800-553-9053

Por favor tenga disponible la información siguiente para todas las llamadas de servicio:

1. Número de modelo
2. Número de serie
3. Fecha y lugar de compra

## EL CONTENIDO DEL SISTEMA BIOLÓGICO DEL RECICLAJE

Desembale con cuidado su nuevo Sistema Biológico del Reciclaje el fabricante. Verifique el contenido contra la lista que empaca. Contacte la línea de flete si un reclamo del daño se requiere en cualquier componente. Los artículos siguientes son el equipo básico mandado con su Sistema Biológico del Reciclaje.

1. Bomba de Sumidero
2. La flota azul para el hoyo de sumidero (protege sumidero bomba el nivel bajo)
3. Plataforma de Sistema de Reciclaje de Biológico
  - A. Transfiera Bomba
  - B. Tanque de almacenaje presurizado de agua
  - C. Bomba de aireador
  - D. El Generador de ozono (Opcional)
  - E. La Bomba de ozono (Opcional)
4. Manual

## ESPECIFICACIONES

MODELO	BIO-25R-0M10/ BIO-25R-1M10	BIO-25R-0M30/ BIO-25R-1M30	WX-0049
Flujo máximo	25 GPM		
Eléctrico	230 El voltio 1 Fase 25 amperios	208-230 El voltio 3 Fase 15 amperios	460 El voltio 3 Fase 8 amperios
Bomba de sumidero	1/2 HP		
Operador de Capacidad	1434 galones		
Medios biológicos	3456 sq. ft.		
Transfiera Bomba (centrífugo)	2 HP		
Bomba de aireador	1.5 HP		
Dimensiones L x W x H	144" x 73" x 54"		
Peso neto	1400 lbs.		
Material del tanque	Aluminio/ Acero inoxidable		

## PROPOSITO

El Sistema Biológico se diseñó para ofrecer una solución a la eliminación de desechos que es económica, eficiente y primero, ambientalmente seguro. Cuando hacemos el progreso por el siglo XXI, códigos ambientales de desecho llegan a ser cada vez mas estrictos. Las sobrecargas y las multas son puestas bajo el mandato a compañías que son incapaces de operar dentro de pautas aceptables. Las sustancias químicas utilizaron para tratar agua de desecho a menudo crea los productos secundarios que causa por sí las infracciones adicionales de código. La Corporación el fabricante ha resuelto este problema dirigiendo un Bio-Sistema que utiliza microbios, no sustancias químicas, para alimentar literalmente lejos el desecho en el agua que permite la producción final ser limpiado de ningún producto secundario peligroso. Somos se da cuenta de que la necesidad de proteger y respetar nuestro ambiente y por lo tanto, nuestros Bio-Sistemas operan bajo pautas específicas de microbio, utilizando microbios eso (1) es natural, no genéticamente formulado y (2) no causará la enfermedad.

El fabricante se ha implicado en productos de agua para sobre veintiocho años. Nuestro compromiso a la calidad se pasa en a nuestros clientes, nuestro compromiso al ambiente se pasa en a nuestros niños.




# ADVERTENCIAS IMPORTANTES DE SEGURIDAD



ADVERTENCIA: Cuando se usa este producto, las precauciones básicas siempre se deben observar, incluyendo lo siguiente:

LEA TODAS ADVERTENCIAS DE LA SEGURIDAD ANTES DE UTILIZAR EL SISTEMA DE RECICLAJE BIOLÓGICO

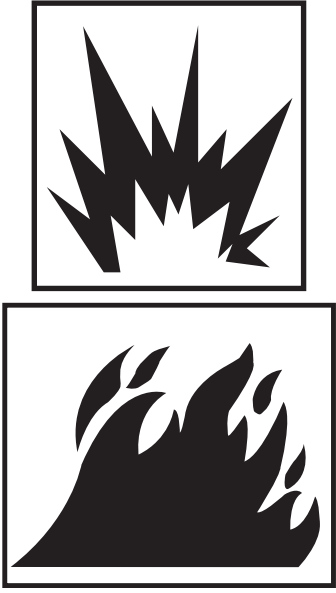

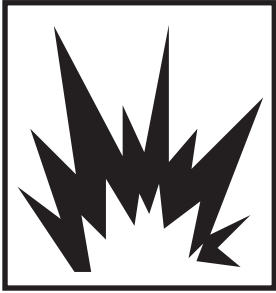
PELIGRO	CONSECUENCIA POTENCIAL	PREVENCION
<p data-bbox="159 262 527 325"><b>EI RIESGO DE CALAMBRE O ELECTROCUCION</b></p> 	<p data-bbox="552 262 966 493">Lesiones graves o la muerte podrían ocurrir si el Sistema Biológico del Reciclaje no se muele apropiadamente. Su Sistema Biológico del Reciclaje es accionado por la electricidad y puede causar calambre o electrocución si no instalado apropiadamente.</p> <p data-bbox="552 1155 966 1239">El golpe eléctrico puede ocurrir si el Reciclaje Biológico Sistema no se opera apropiadamente.</p> <p data-bbox="552 1407 966 1491">Lesiones graves o la muerte pueden ocurrir si las reparaciones eléctricas son procuradas por personassintítulo.</p>	<p data-bbox="990 262 1526 346">La instalación de esta unidad, incluyendo todas conexiones eléctricas, debe conformarse con todo local, indica y códigos nacionales.</p> <p data-bbox="990 367 1526 556">Este producto se debe ser de tierra. Conecte a un cortacircuitos de GFCI cuando disponible. Si la unidad debe fallar o la avería, conecte a tierra proporciona un sendero de menos resistencia para la corriente eléctrica reducir el riesgo de calambre. No conecte a la tierra a una línea del suministro del gas.</p> <p data-bbox="990 577 1526 735">La conexión impropia del conductor de conectar el equipo al suelo puede tener como resultado un riesgo de electrocución. Verifique con un personal calificado de electricista o servicio si usted tiene dudas en cuanto a si el sistema es conectado al suelo correctamente.</p> <p data-bbox="990 756 1526 913">Siempre sea cierta la unidad recibe el voltaje apropiado( +/- 5% de voltaje que está en la lista de plata del nombre). Antes instalar las conexiones eléctricas, son ciertos los interruptores del poder están en la posición de "OFF."</p> <p data-bbox="990 934 1526 987">Mantenga que todas conexiones secan y del suelo.</p> <p data-bbox="990 1008 1526 1144">No toque bomba, el motor de la bomba, tubería de descarga ni agua cuando la unidad es conectada a la alimentación; a pesar de si la unidad opera correctamente o experimenta un fracaso de la operación.</p> <p data-bbox="990 1165 1526 1239">No permita los componentes de metal del Sistema del Reciclaje Biológico entrar el contacto con componentes eléctricos vivos.</p> <p data-bbox="990 1260 1526 1396">Nunca opere el Sistema del Reciclaje Biológico con guardias de seguridad ni cubiertas quitó ni dañó. Asegure que todas cubiertas eléctricas sean seguramente en lugar cuando la unidad opera.</p> <p data-bbox="990 1417 1526 1554">Algún alambrado o las reparaciones eléctricas realizaron en este Sistema del Reciclaje Biológico debe ser hecho por el Personal Autorizado del Servicio de acuerdo con códigos eléctricos Nacionales y Locales.</p> <p data-bbox="990 1575 1526 1921">Antes de abre algún cerco eléctrico, siempre apagó el Sistema del Reciclaje Biológico y desagua el agua. Desconecte el Sistema del Reciclaje Biológico de la fuente del poder. Si el poder desconecta no está a la vista, lo encierra la posición abierta y da una etiqueta para prevenir el uso del poder. ¡(Nunca asume que sea seguro para trabajar en el Sistema del Reciclaje Biológico simplemente porque no opera, podría volver a encender en tiempo! Siempre desconecte de la fuente del poder.) Permita que los componentes del Sistema del Reciclaje Biológico tiempo enfríese.</p>



# ADVERTENCIAS IMPORTANTES DE SEGURIDAD

LEA TODAS ADVERTENCIAS DE LA SEGURIDAD ANTES DE UTILIZAR EL RECICLAJE BIOLÓGICO SISTEMA



PELIGRO	CONSECUENCIA POTENCIAL	PREVENCION
<p><b>EI RIESGO DE CALAMBRE O ELECTROCUCION</b></p> 	<p>Lesiones graves o la muerte podrían ocurrir de una explosión o el fuego causados por una chispa eléctrica del sistema.</p>	<p>Esta unidad se debe colocar en un área que se ventila bien, libre de vapores inflamables, polvo combustible, los gases u otras materias combustibles.</p>
<p><b>RIESGO DE REVENTÓN</b></p> 	<p>Lesiones graves o la muerte podrían ocurrir del estallar causado por la presión excesiva en el sistema.</p> <p>Lesiones graves pueden ocurrir si procurando empezar el Sistema del Reciclaje Biológico cuando la bomba se congela.</p>	<p>No maltrate los indicadores en el sistema. Los indicadores fallarán si ellos son sujetos a la presión excesiva, la vibración, la pulsación o la temperatura o si ellos son colocados en un ambiente que causa la corrosión de partes. Las lecturas inexactas en un calibrador de pressuer podrían descaminar al operario y lo coloca una condición de trabajo peligrosa.</p> <p>No utilice una bomba del motor auxiliar de propulsión ni ningún tipo adicional del sistema. Presurizando la succión de la bomba puede causar explosión del cuerpo de bomba.</p> <p>¡No utilice este Sistema del Reciclaje Biológico para bombear la materia inflamable! Una explosión podría ocurrir de un aumento de vapor de gas dentro del sistema.</p> <p>En temperaturas heladas, la unidad siempre debe estar suficiente tibia para asegurar no hay la formación de hielo en la bomba. No empiece el Sistema del Reciclaje Biológico si ha sido un ambiente helado sin permitir primero la bomba para deshelar.</p>
<p><b>RIESGO DE QUEMADURAS</b></p> 	<p>Lesiones graves pueden ocurrir de tocar el motor eléctrico. Esta área puede quedarse caliente durante un tiempo después de cierre del Sistema del Reciclaje Biológico.</p>	<p>Nunca permita cualquier parte de su cuerpo para contactar el motor eléctrico hasta que sea fresco.</p>







# ADVERTENCIAS IMPORTANTES DE SEGURIDAD

LEA TODAS ADVERTENCIAS DE LA SEGURIDAD ANTES DE UTILIZAR EL RECICLAJE BIOLÓGICO SISTEMA



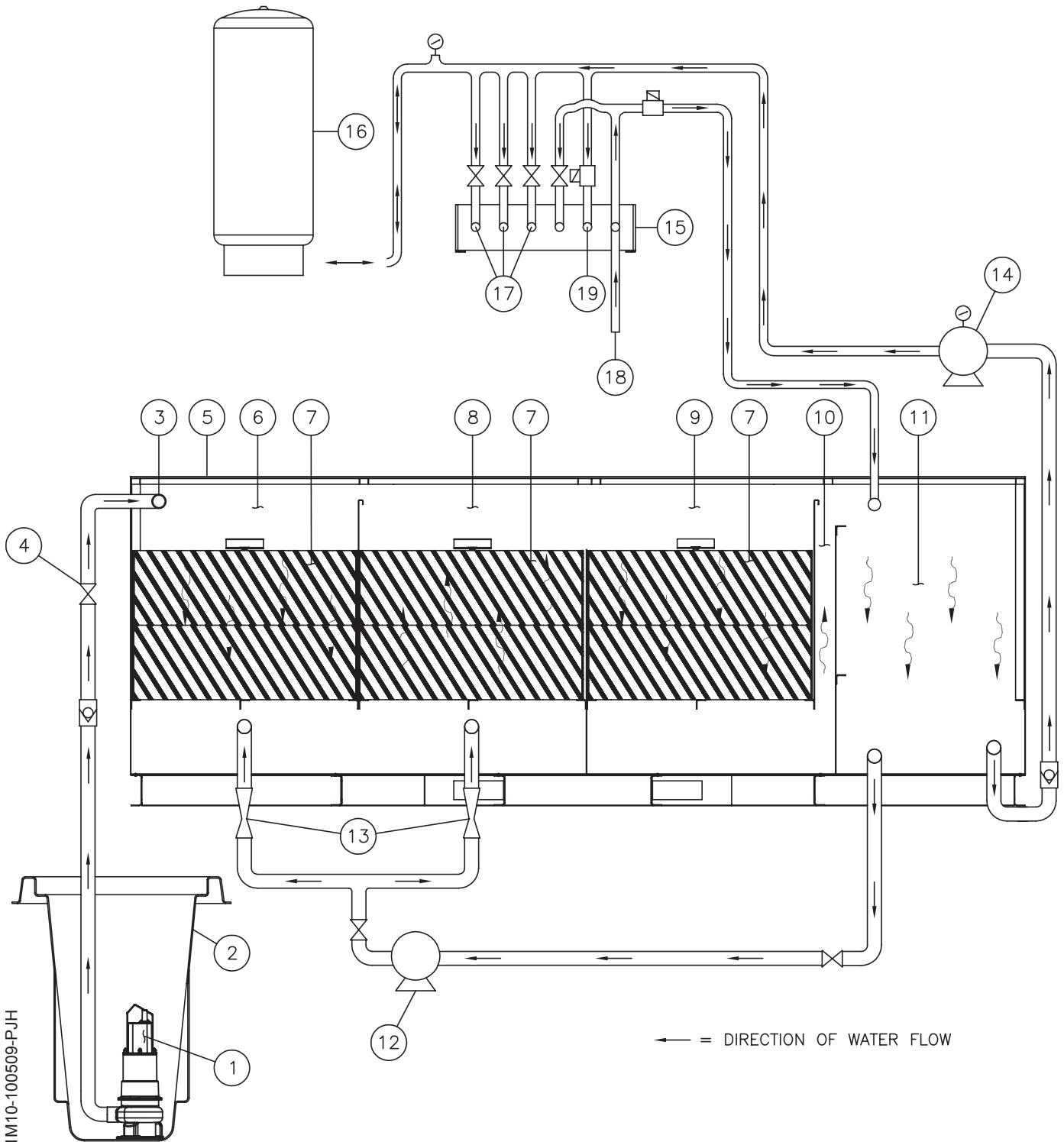
PELIGRO	CONSECUENCIA POTENCIAL	PREVENCION
<p><b>RIESGO DE PARTES MOVIENDO</b></p> 	<p>Lesiones graves pueden ocurrir al operador de partes móviles en el Sistema del Reciclaje Biológico.</p>	<p>No opere la unidad sin todas cubiertas protectoras están en el lugar.</p> <p>Siga las instrucciones de la conservación especificadas en el manual.</p>
<p><b>RIESGO DE LESIONES DEL CUERPO</b></p> 	<p>Las lesiones pueden ocurrir del Sistema del Reciclaje Biológico.</p>	<p>¡NO BEBA EL AGUA EN EL SISTEMA DEL RECICLAJE BIOLÓGICO!! Este es agua no-potable y no es conveniente para el consumo.</p> <p>No permita a niños para operar la unidad.</p> <p>No se extralimíte ni se para en el apoyo inestable.</p> <p>Las superficies mojadas pueden estar resbaladizas, el uso engranaje protector de pie y mantener el asidero y el equilibrio buenos siempre.</p> <p>Sepa cómo parar el Sistema del Reciclaje Biológico. Esté completamente familiarizado con controles.</p> <p>Antes atender a los componentes, SIEMPRE apagan el Sistema del Reciclaje Biológico.</p> <p>Consulte Hojas Materiales de Datos de Seguridad (MSDS) para el manejo seguro de sistema, especialmente oxidizers y ácidos.</p>



**¡MANTENGA ESTAS INSTRUCCIONES!**



# ORGANIGRAMA DEL SISTEMA DE EL RECICLAJE BIOLÓGICO



← = DIRECTION OF WATER FLOW

FLOW DIA. BIO-25R-35R-1M10-100509-PJH

## ORGANIGRAMA DEL SISTEMA DEL RECICLAJE BIOLÓGICO

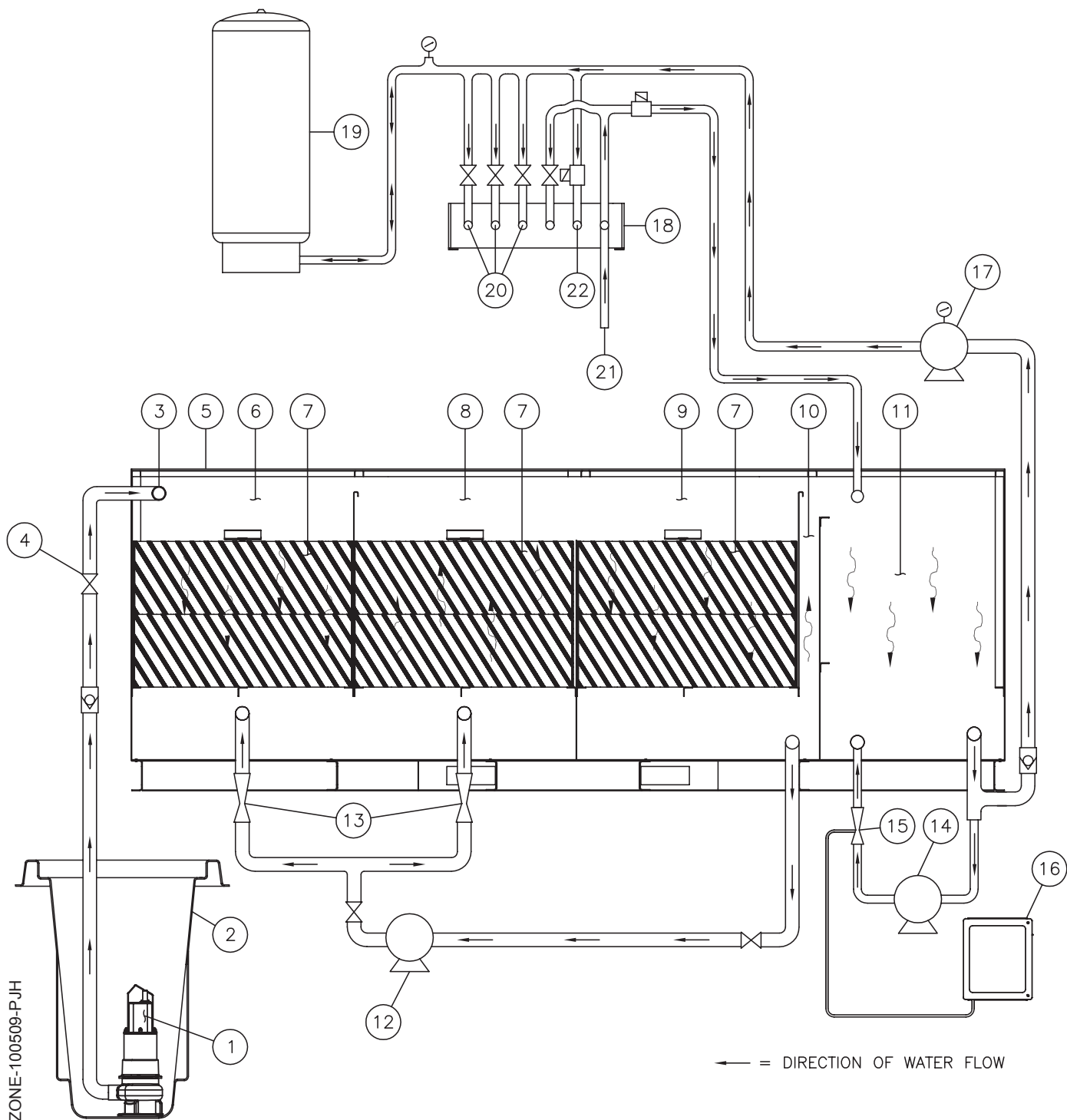
La **Bomba del Sumidero (1)** tomen agua del **Hoyo de Sumidero (2)** y lo trae a la **Entrada (3)** del Sistema del Reciclaje Biológico. La **Válvula del Control del Flujo de Entrada (4)** se puede utilizar para controlar el flujo de agua en la unidad. El **Tanque del Reciclaje Biológico (5)** es hecho de varias secciones que son separadas por presas. El agua yerma entra la cima de la **Primera Cámara (6)** y mueve hacia abajo por los **Medios de Biología (7)**. Los paquetes de medios proporcionan una superficie para los microbios para vivir. Cuando agua pasa por los **Medios Biológicos (7)**, los microbios alimentan lejos de los compuestos orgánicos en el agua que produce los productos secundarios del bióxido de carbono y el agua.

De la **Primera Cámara (6)**, el agua yerma mueve bajo el presa, en la **Segunda Cámara (8)**, subiendo arriba por los **Medios Biológicos (7)** y sobre la presa en el **Tercer Cámara (9)**. Entonces el agua yerma fluye hacia abajo por los **Medios Biológicos (7)** para una purificación final antes de cambiar al **Tanque del Control de Nivel del Agua (10)**. Esta sección muy pequeña tiene una presa que se posiciona para controlar el nivel de agua en **Tanque del Reciclaje Biológico (5)**. El agua se mueve encima de este presa final y en el **Tanque del Producto (11)**.

Los microbios necesitan aire para vivir; una **Bomba de Aireador (12)** bombea riegan para el **Tanque del Producto (11)** a dos **Inectores Aéreo (13)** del uso para tirar aire en el agua. De allí las burbujas de aire mueven arriba por los **Medios Biológicos (7)**. Sin el aire en el Sistema del Reciclaje Biológico, los microbios no serán capaces de sobrevivir.

También agua sea tirado del **Tanque del Producto (11)** por la **Bomba de la Transferencia (14)** y se cambió al **Colector(15)** y el **Tanque de la Presión (16)**. Esta agua del asidero del tanque en 40-60 PSI (2.8-4.1 BAR) hasta necesitado. Cuándo agua se necesita para lavar, el agua se manda del **Colector (15)** a las **Salidas de la Agua (17)** y entonces a una lavadora de presión o la manguera de jardín. Si el nivel del agua del **Tanque del Producto (11)** es bajo, el agua se agrega por **Compuesto de Agua Fresco (18)** al **Tanque del Producto (11)**. Si el nivel del agua del **Tanque Biológico del Reciclaje (5)** es agua demasiado alta y tratada es mandada a la **Capacidad Excesiva de la Agua de la Lluvia (19)** y entonces se deshizo.

# ORGANIGRAMA DEL SISTEMA DEL RECICLAJE BIOLÓGICO CON OZONO



FLOW DIA. BIO-25R-1M10 W/OZONE-100509-PJH

## ORGANIGRAMA DEL SISTEMA DEL RECICLAJE BIOLÓGICO CON OZONO

La **Bomba del Sumidero (1)** tomen agua del **Hoyo de Sumidero (2)** y lo trae a la **Entrada (3)** del Sistema del Reciclaje Biológico. La **Válvula del Control del Flujo de Entrada (4)** se puede utilizar para controlar el flujo de agua en la unidad. El **Tanque del Reciclaje Biológico (5)** es hecho de varias secciones que son separadas por presas. El agua yerma entra la cima de la **Primera Cámara (6)** y mueve hacia abajo por los **Medios de Biología (7)**. Los paquetes de medios proporcionan una superficie para los microbios para vivir. Cuando agua pasa por los **Medios Biológicos (7)**, los microbios alimentan lejos de los compuestos orgánicos en el agua que produce los productos secundarios del bióxido de carbono y el agua.

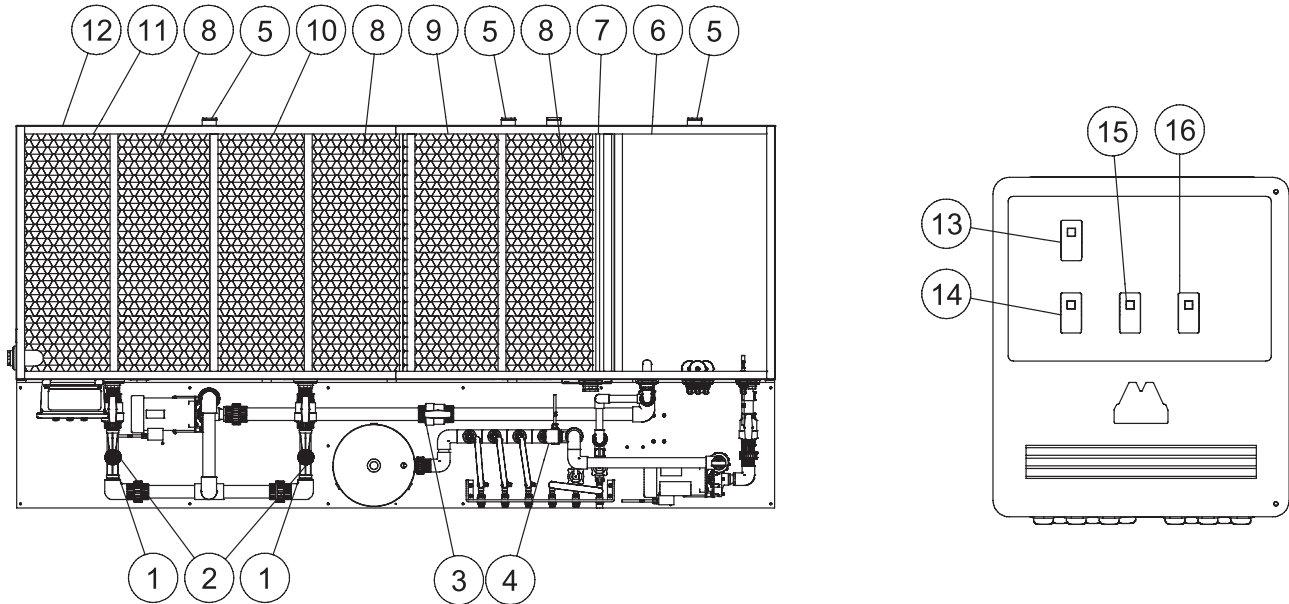
De la **Primera Cámara (6)**, el agua yerma mueve bajo el presa, en la **Segunda Cámara (8)**, subiendo arriba por los **Medios Biológicos (7)** y sobre la presa en el **Tercer Cámara (9)**. Entonces el agua yerma fluye hacia abajo por los **Medios Biológicos (7)** para una purificación final antes de cambiar al **Tanque del Control de Nivel del Agua (10)**. Esta sección muy pequeña tiene una presa que se posiciona para controlar el nivel de agua en **Tanque del Reciclaje Biológico (5)**. El agua se mueve encima de este presa final y en el **Tanque del Producto (11)**.

Los microbios necesitan aire para vivir; una **Bomba de Aireador (12)** bombea riegan para el **Tercer Cámara (9)** a dos **Inectores Aéreo (13)** del uso para tirar aire en el agua. De allí las burbujas de aire mueven arriba por los **Medios Biológicos (7)**. Sin el aire en el Sistema del Reciclaje Biológico, los microbios no serán capaces de sobrevivir.

Para inyectar ozono en el sistema, el agua se tira del **Tanque del Producto (11)** por la **Bomba de Ozono (14)** y hace aceptar un difusor en el **Inyector de Ozono (15)**. El oxígeno del aire es convertido en el ozono por el **Generador de Ozono (16)**.

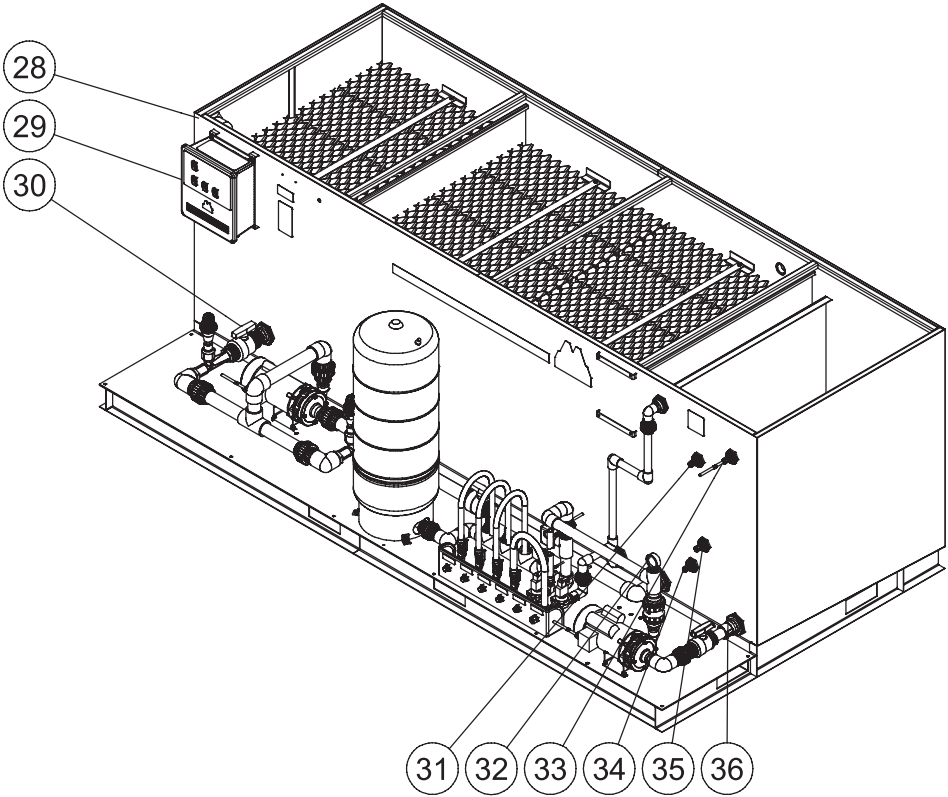
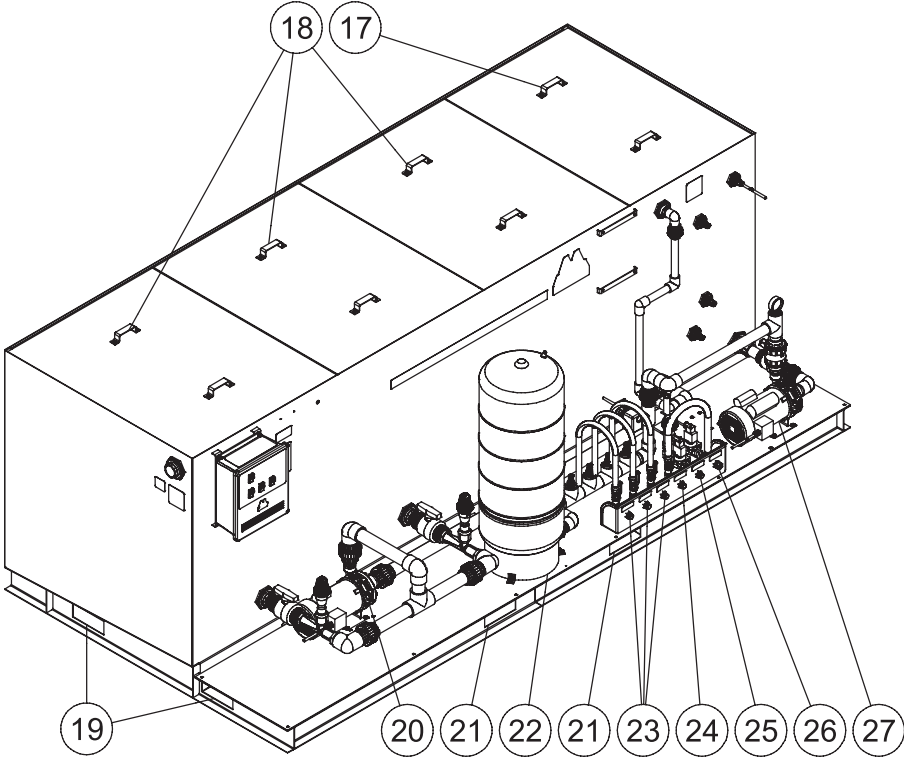
También agua sea tirado del **Tanque del Producto (11)** por la **Bomba de la Transferencia (14)** y se cambió al **Colector (18)** y el **Tanque de la Presión (16)**. Esta agua del asidero del tanque en 40-60 PSI (2.8-4.1 BAR) hasta necesitado. Cuándo agua se necesita para lavar, el agua se manda del **Colector (18)** a las **Salidas de la Agua (20)** y entonces a una lavadora de presión o la manguera de jardín. Si el nivel del agua del **Tanque del Producto (11)** es bajo, el agua se agrega por **Compuesto de Agua Fresco (21)** al **Tanque del Producto (11)**. Si el nivel del agua del **Tanque Biológico del Reciclaje (5)** es agua demasiado alta y tratada es mandada a la **Capacidad Excesiva de la Agua de la Lluvia (22)** y entonces se deshizo.

# COMPONENTES DEL SISTEMA DEL RECICLAJE BIOLÓGICO



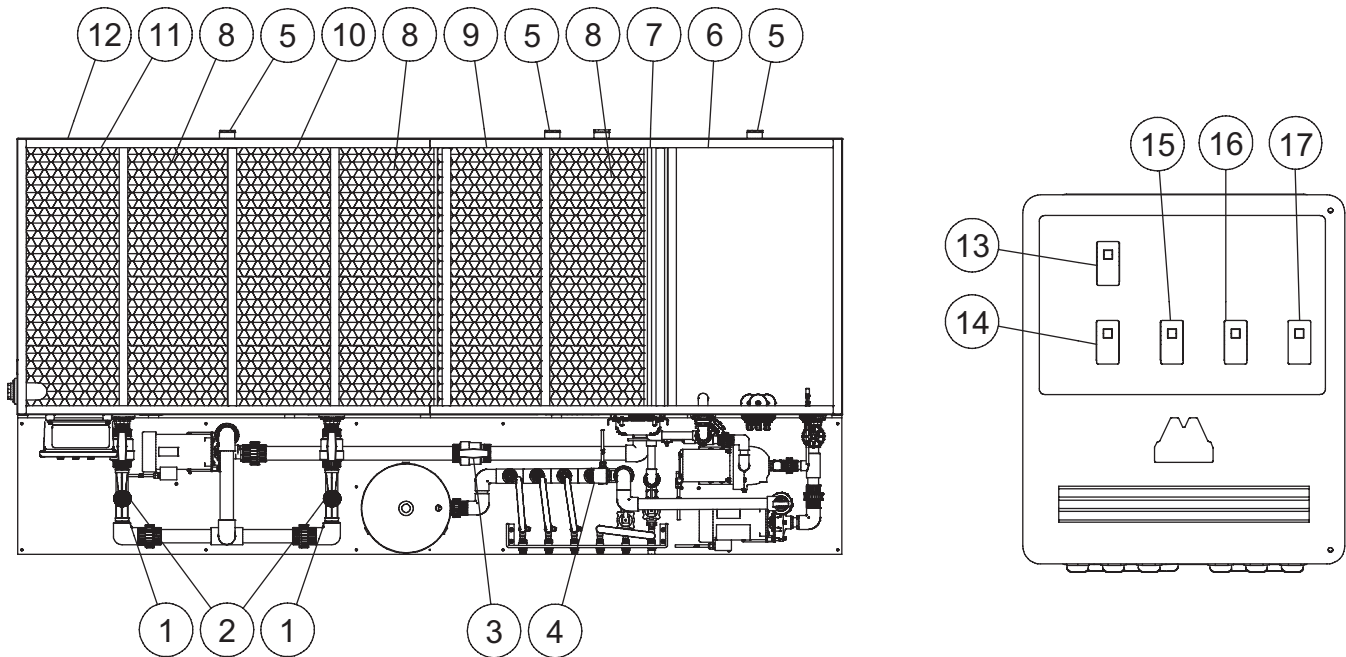
COMPONENTES DEL SISTEMA DEI RECICLAJE BIOLÓGICO			
REF. #	DESCRIPCION	REF. #	DESCRIPCION
1	Inyector aéreo	19	Hoyos del fin de carretilla
2	Entrada del aire (Aireador)	20	Bomba de aireador
3	Válvula de Entrada de Bomba de Aireador	21	Lado del fin de carretilla
4	Interruptor de presión	22	Tanque de Presión
5	Puerto de Sumidero	23	Salida de Agua
6	Tanque de Producto	24	Agua Enjuague
7	Tanque de Control del nivel de Agua	25	Rebosadero de Agua Enjuague
8	Medios biológicos	26	Preparado de Agua Fresco
9	Tercera Cámara	27	Bomba Transfiera
10	Segunda Cámara	28	Entrada
11	Primera Cámara	29	Panel del Control
12	Tanque Biológico	30	Válvula de Salida de Bomba de aireador
13	Interruptor General	31	Flotador de Rebosadero de Agua de Lluve
14	Interruptor de Bomba de Sumidero	32	Indicador de Presión
15	Interruptor de Bomba de Aireador	33	Interruptor del Límite de Nivel
16	Interruptor Transfiera de Bomba	34	Flotador de Bomba Transfiera
17	Tapa de Tanque de Producto	35	Flotador de Preparado de Agua Fresco
18	Tapa de tanque	36	Salida de Tanque

# COMPONENTES DEL SISTEMA DEL RECICLAJE BIOLÓGICO



BIO-25R-1M10 FEATURES\_2-041614-MLK

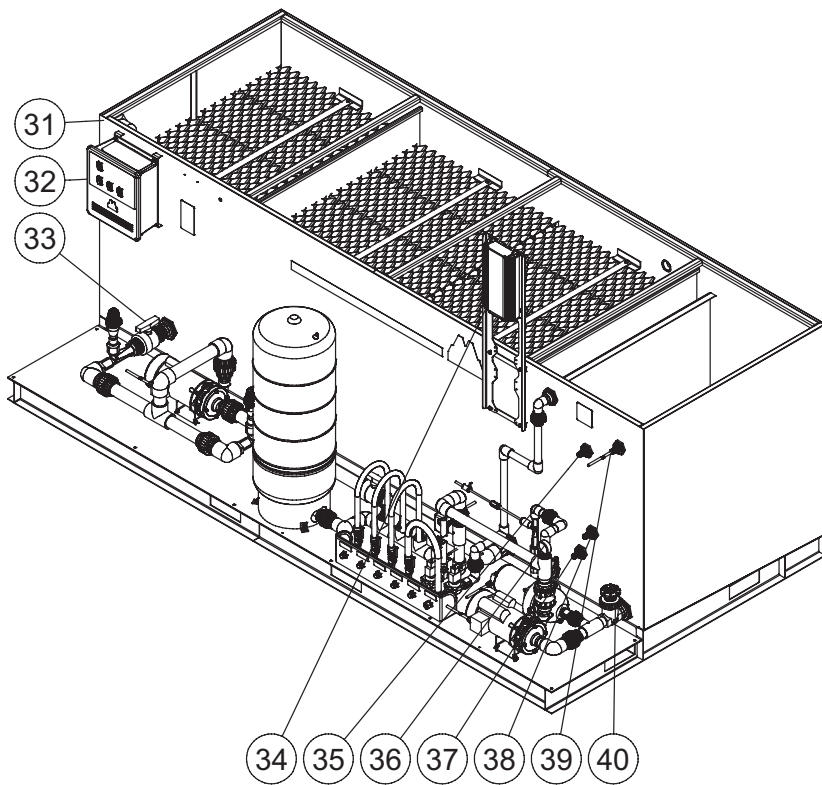
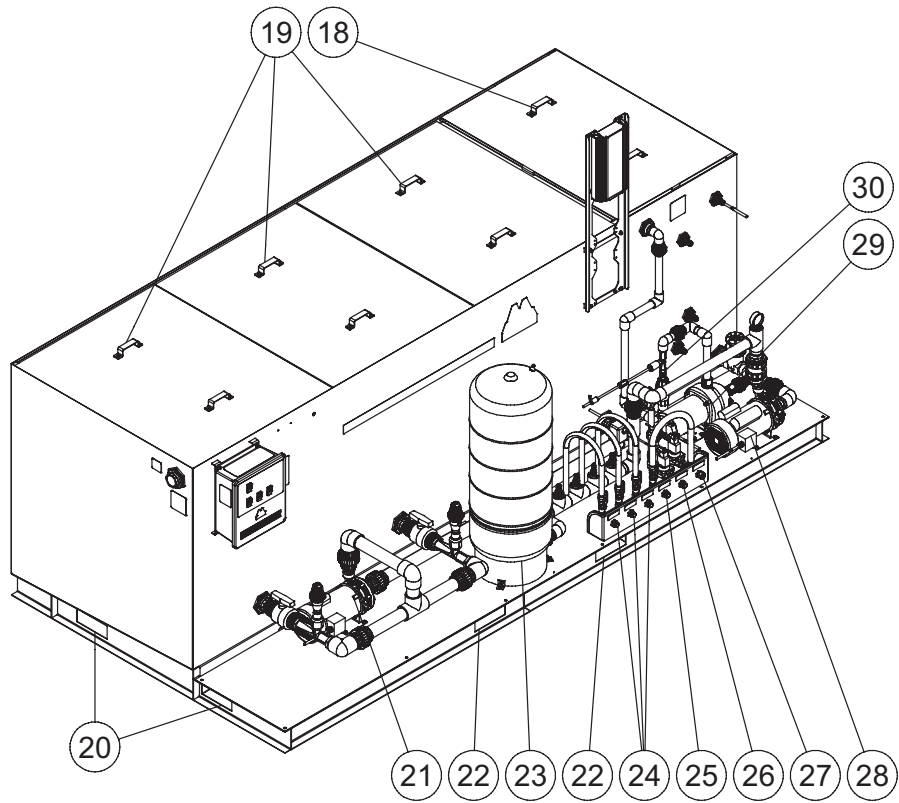
# COMPONENTES DEL SISTEMA DEL RECICLAJE BIOLÓGICO CON OZONO



COMPONENTES DEL SISTEMA DEL RECICLAJE BIOLÓGICO CON OZONO			
REF. #	DESCRIPTION	REF. #	DESCRIPTION
1	Inyector aéreo	21	Bomba de aireador
2	Entrada del aire (Aireador)	22	Lado del fin de carretilla
3	Válvula de Entrada de Bomba de Aireador	23	Tanque de Presión
4	Interruptor de presión	24	Salida de Agua
5	Puerto de Sumidero	25	Agua Enjuague
6	Tanque de Producto	26	Rebosadero de Agua Enjuague
7	Tanque de Control del nivel de Agua	27	Preparado de Agua Fresco
8	Medios biológicos	28	Bomba Transfiera
9	Tercera Cámara	29	Inyector de Ozono
10	Segunda Cámara	30	Entrada
11	Primera Cámara	31	Bomba de Ozono
12	Tanque Biológico	32	Panel del Control
13	Interruptor General	33	Válvula de Salida de Bomba de aireador
14	Interruptor de Bomba de Sumidero	34	Flotador de Rebosadero de Agua de Lluve
15	Interruptor de Bomba de Aireador	35	Interruptor De Límite Llano
16	Interruptor de Bomba de Ozono	36	Indicador de Presión
17	Interruptor Transfiera de Bomba	37	Flotador de Bomba Transfiera
18	Tapa de Tanque de Producto	38	Flotador Del Maquillaje Del Agua Dulce
19	Tapa de tanque	39	Generador de Ozono
20	Hoyos del fin de carretilla	40	Salida de Tanque



# COMPONENTES DEL SISTEMA DEL RECICLAJE BIOLÓGICO CON OZONO



BIO-25R WITH OZONE FEATURES\_112614-MLK

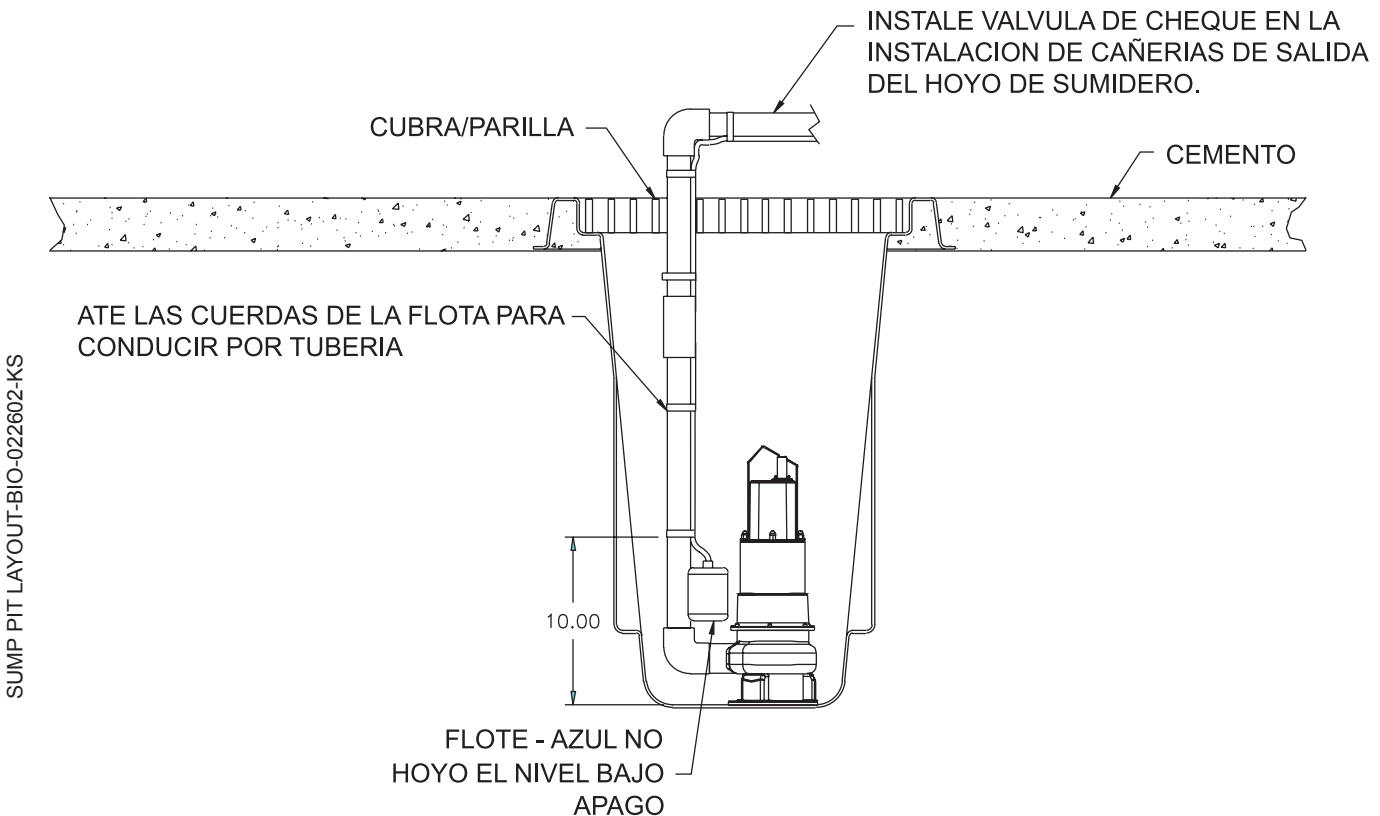
# INSTALACION

## ROPA:

1. La ropa apropiada es esencial a su seguridad. Se aconseja a utilizar cualquier medios necesarios para proteger ojos, las orejas, y la piel.

## INSTALACION:

1. Un Sistema del Hoyo de la Colección ya debe ser una estructura establecida antes de instalar el Sistema Biológico del Reciclaje. Un sistema bien diseñado del hoyo es crítico para la operación apropiada del sistema de la recirculación. Consulte su comerciante el fabricante para requisitos de instalación.
2. Coloque la plataforma de Sistema de Biológico Reciclaje en un superficie duro y nivela en un área libre de vapores inflamables, polvo combustible, los gases u otras materias combustibles.
3. Ponga la unidad tan usted tiene acceso a los Puertos del Tablero de control y el Desaguadero.
4. No ponga en un área:
  - a. con ventilación insuficiente.
  - b. donde peligros ambientales (ex. la lluvia y la nieve) puede entrar el contacto con el Sistema Biológico del Reciclaje.
  - c. en el ambiente helado.
5. Revise todas conexiones de la unión para la estrechez.
6. Instale las conexiones de 80 PVC del horario a la entrada de la agua del Reciclaje Biológico Sistema.
7. Instale la Bomba de Sumidero en el Hoyo de Sumidero como mostrado abajo.
8. Instale instalación de cañerías de la Bomba de Sumidero que utiliza 1 1/2 tamaño mínimos de la conexión.
9. Instale la flota azul en el Hoyo de Sumidero. Conecte la flota 10" encima del fondo de la Bomba de Sumidero. Permita una 2" trailla y suficiente espacio para ellos mover libremente sin intervenir con la instalación de cañerías.



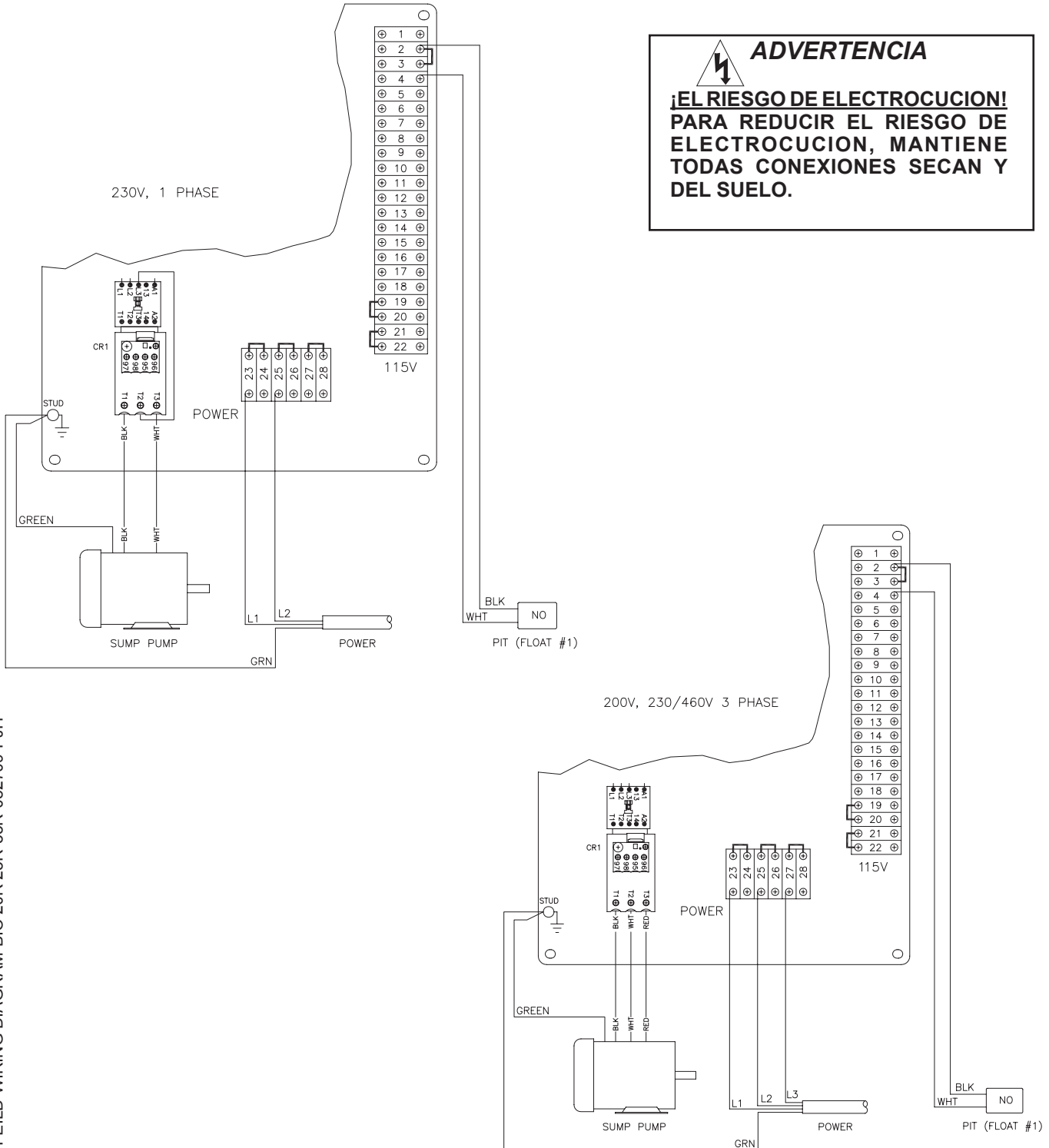
10. Un electricista calificado debe conectar el sistema eléctrico.
  - a. Verifique el suministro eléctrico en la fuente del poder está apagado.
  - b. Sea ciertos todos interruptores en el Tablero de control están en el "OFF" la posición.
  - c. Corra agua conducto apretado
    1. De la Bomba de Sumidero y Flota al Tablero de control.
    2. Del local desconecta al Tablero de control. El electricista necesitará taladrar hoyos en el Tablero de control para el conducto.
  - d. Haga las conexiones a las tiras terminales como mostrado en el diagrama de la instalación eléctrica en la página siguiente.

# INSTALACION

11. Haga las conexiones siguientes de tubería:

- De un suministro de agua presurizado a la Agua Preparado y Fresco.
- De la Salida de Lavador de Presión a lavador de la presión o la manguera de jardín.
- Del Rebosadero de Agua de Lluve al tanque de almacenaje para procesar aún más o la disposición. No mande la espalda de agua al Hoyo del Sumidero.

NOTA: En la mayoría de los casos, usted debe tener un permiso para disponer legalmente agua reciclada.



**⚡ ADVERTENCIA**  
**¡EL RIESGO DE ELECTROCUCION!**  
**PARA REDUCIR EL RIESGO DE ELECTROCUCION, MANTIENE TODAS CONEXIONES SECAS Y DEL SUELO.**

FEILD WIRING DIAGRAM-BIO 20R-35R-082709-PJH

# PARE

**PARA ASEGURAR OPERACION SEGURAMENTE Y EFICIENTEMENTE DE SU SISTEMA DE TRATAMIENTO DE RECIRCULACION DE AGUA, COMPLETAN LA LISTA DE VERIFICACION DE LA PRE-OPERACION ANTES DE AVANZAR.**

## LISTA DE VERIFICACION DE LA PRE-OPERACION

Antes avanzar, contesta todas las preguntas en esta lista de verificación.	SÍ	NO
<b>CÓDIGOS:</b>		
1. ¿El alambrado eléctrico satisface todos códigos?		
2. ¿La instalación de cañerías satisface todos códigos?		
<b>UBICACION:</b>		
1. ¿Se localiza la unidad en una superficie dura del nivel que es libre de vapores inflamables, polvo combustible, los gases u otras materias combustibles?		
2. ¿Se localiza la unidad en un área ventilada grande?		
<b>ELECTRICO:</b>		
1. ¿Se conecte a tierra apropiadamente la unidad?		
2. ¿Suministra el poder, el voltaje y amperaje que emparejan el plato de datos?		
<b>INSTALACION DE CAÑERIAS:</b>		
1. ¿Se calibra la instalación de cañerías correctamente?		
2. ¿Todas conexiones de instalación de cañerías son seguras		
<b>GENERAL:</b>		
1. ¿Tiene a todos operarios que utiliza esta unidad leyó y entendió este manual entero?		
2. ¿Ha sido instalada la unidad por personas calificadas de servicio que siguieron las instrucciones que listó en este manual?		

**SI "NO" FUE MARCADO A CUALQUIERA DE ESTAS PREGUNTAS, CORRIGE LA SITUACION ANTES DE OPERAR.**

# PREPARACION

## PROCEDIMIENTOS DE PRE-ARRANCAR:

1. Posicione las válvulas en el Sistema del Reciclaje Biológico en el "el Modo de Arrancar."
    - A. La Válvula de la Salida de la Bomba de Aireador: Abra la válvula.
    - B. La Válvula de la Salida de la Bomba de aireador: Cierre la válvula.
    - C. Riegue Válvula de Salida: Cierre las válvulas.
  2. Sea cierto que todas cañerías/mangas son apretadas y conectadas apropiadamente.
  3. Sea cierto que el aire entrante a los Inyectores Aéreos no se obstruye.
  4. Sea cierto que todos interruptores en el Tablero de Control están en la posición de "OFF".
- 

## ARRANQUE:

1. Asegure que todos Angulos de Sujetar se abrochen en el Tanque Biológico.
2. Gire el poder de principal desconecta "ON".
3. Arranque el interruptor general, el agua de la Entrada de agua fresco empezará a llenar el Tanque del Producto.
4. Cuándo el Tanque de Producto está repleto, prepara la Bomba de la Transferencia abriendo la unión inmediatamente después que la Bomba de la Transferencia hasta que el agua empiece a fluir fuera, entonces reaprieta la unión.
5. Arranque el Interruptor de Bomba de Transferencia para presurizar el Colector y el Tanque de la Presión.
6. Arranque el Interruptor de Bomba de Sumidero.

### SOLO PARA OPCION DE OZONO:

- a. Prepare la Bomba de Ozono abriendo la unión inmediatamente después que la Bomba de Ozono hasta que el agua empiece a fluir fuera, entonces reaprieta la unión.
  - b. Arranque el Interruptor de Bomba de Ozono.
7. Opere el Sistema Biológico por una hora antes de agregar microbios de Mi -T-M.

## OPERACION

### ADICIÓN RECOMENDADA DE MICROBIOS:

*Nota: Se recomienda para agregar un rápido disuelve el microbio mensual de la inoculación que el paquete al sistema en el comienzo hasta ayuda establece a una colonia microbiana.*

1. Para el producto regular de las bacterias de la dosis del uso diario (para los productos líquidos) o mensual (para los productos secos).
2. Supervise el sistema de cerca para asegurar que una cantidad apropiada de bacterias se está dosificando en el sistema durante sus períodos de la inoculación. Si el agua del producto no está a un estándar que sea apropiado para usted facilidad, más bacterias pueden necesitar agregado al sistema más con frecuencia.
3. Continúe su horario de la inoculación para la vida del sistema para asegurar la función apropiada (después de que el sistema se ha drenado un rápido disuelve el microbio mensual de la inoculación que el paquete debe ser utilizado cuando el sistema se carga otra vez).
4. Al colocar el producto seco o inyectando las bacterias líquidas en el sistema, debe ser un producto del microbio apropiado para su corriente inútil y debe ser dosificado cerca de la entrada del sistema.

Los microbios son los más activos y eficaces cuando la temperatura del agua está entre 70°F y 100°F. Para los climas donde están experimentadas las temperaturas de congelación, el sistema biológico se debe incluir en un cuarto heated.

---

## MANTENIMIENTO

### MANTENIMIENTO RUTINARIO:

1. Los hoyos se deben mantener libres de cantidades grandes de fango.
2. Para la mayoría de aplicaciones, 1 paquete de bacteria seca o 1 disco de disolución lento debería proveer bastante "nueva" bacteria para mantener una colonia sana (con el líquido que cierra 6onzas/día debería proporcionar la misma cobertura). El paquete de medios debería sentirse "viscoso" al tacto cuando la colonia de microbios esta establecida. (Si usted no ve una calidad apropiada del agua, sus aplicaciones pueden requerir más microbios porque el nivel de contaminante o su flujo tiene que ser reducido).
3. El pH del agua no debe ser más bajo que 5,5 ni más alto que 8,5 en ningún tiempo dado.
4. Si el jabón es necesario para lavar, el jabón debe ser de un ph neutral (aproximadamente 7).

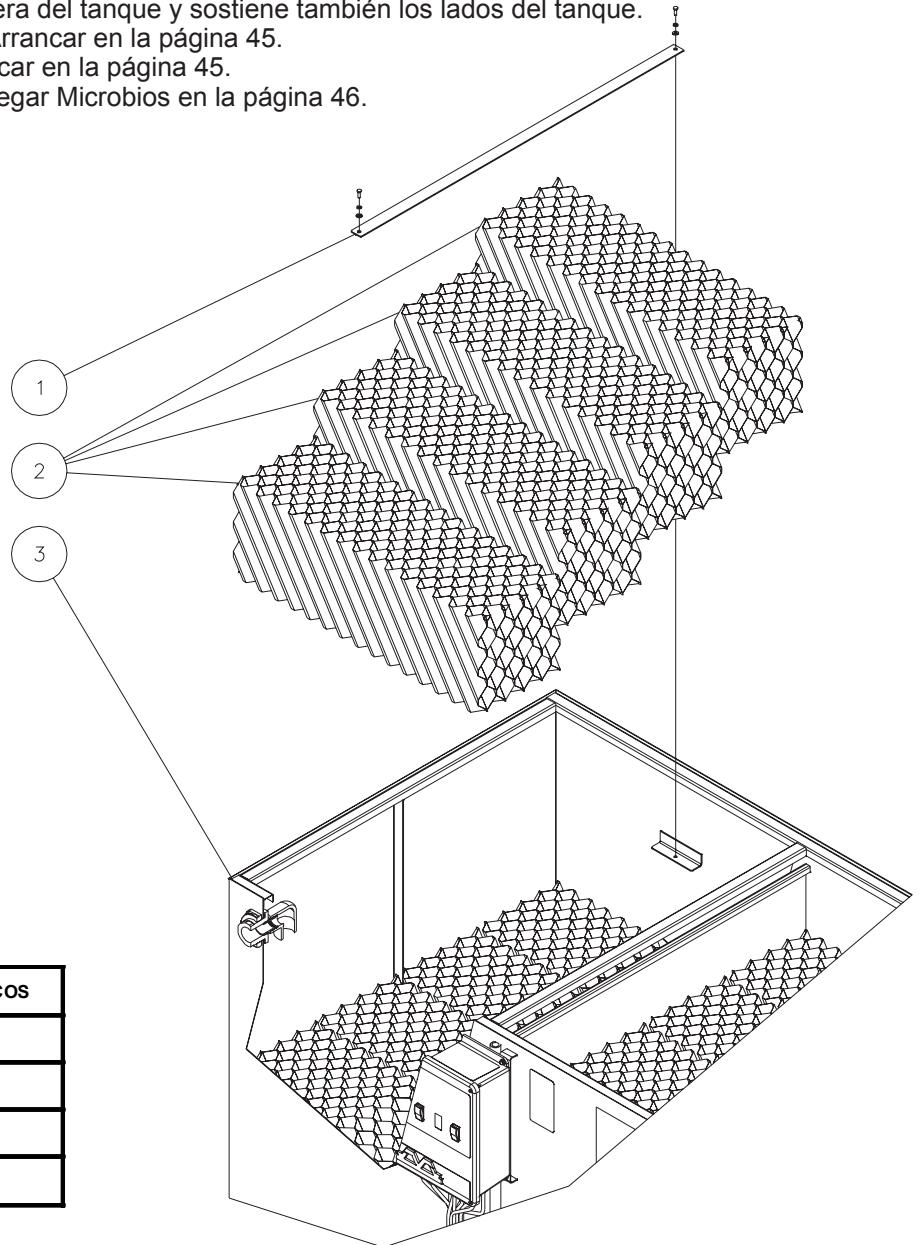
# MANTENIMIENTO

## PREPARACION PARA EL INVIERNO:

1. Arranque todos interruptores en el Tablero de Control a la posición de OFF y desconecta el poder al Tablero de Control.
2. Apague todas las conexiones del agua al Sistema Biológico del Reciclaje.
3. Quite el tapón del desaguadero de la Bomba de la Transferencia.
4. Quite los tapones del desaguadero del Tanque Biológico, limpie el tanque y Medios Biológicos y limpie el sistema.
5. Abra todas válvulas en el Colector.
6. Afloje la conexión de la Agua Preparado y Fresca, conexión de Salida de Lavadora de Presión, la conexión de la Capacidad Excesiva del Agua de Lluvia y la conexión de Entrada de Tanque.
7. Abra la válvula de revisa que está cerca del Hoyo de Sumidero y deságüe la línea del transporte de agua. Quite la Bomba de Sumidero del Hoyo de Sumidero.
8. Mantenga todas sustancias químicas en se aloja la temperatura. (Las bacterias deberían ser guardadas en un plato seco y fresco para prolongar su vida).

## TO OPERATE UNIT AFTER WINTERIZING:

1. Siga las Instrucciones para la Instalación en la página 42.
2. Para la comodidad de volver a instalar los Medios Biológicos, ponen medios en un ángulo. Después que medios se reemplazan, los Angulos de Sujetar se deben abrochar en el Tanque de Biological antes de llenar. Esto previene los Medios Biológicos de subir fuera del tanque y sostiene también los lados del tanque.
3. Siga los Procedimientos de Pre-Arrancar en la página 45.
4. Siga los Procedimientos de Arrancar en la página 45.
5. Siga los Procedimientos para agregar Microbios en la página 46.



INSTALACION DE MEDIOS BIOLÓGICOS	
REF. #	DESCRIPCION
1	Correa
2	Medios biológicos
3	Tanque biológico

BIOLOGICAL MEDIA INSTALLTION-BIO-062602-KS

## LOCALIZACION DE FALLAS

SINTOMA	CAUSA PROBABLE	REMEDIO
<b>ELECTRICO</b>		
Ningún poder en Tablero de control.	Falla del suministro eléctrico a Panel del Controlar.	Verifique cortacircuitos en la fuente del poder o contacte su distribuidor local.
Accione la Luz de Indicador está apagado.	Los fusibles soplados dentro del Tablero de Control en el paso abajo transformador.	El cheque funde, reemplaza si necesario. Si fusibles están bien, contacten su distribuidor.
<b>BOMBA DE SUMIDERO</b>		
La Bomba del sumidero no funcionará.	Flote no es ajustado correctamente en el Hoyo de Sumidero	Ajuste otra vez.
	La flota azul es defectuosa.	Reemplace.
	El Interruptor plano del Límite en el Tanque del Producto ha echado al aire arriba.	Empuje Interruptor Plano de Límite hacia abajo, o quite el exceso agua en el Tanque del Producto.
	El sobrecarga/cachón del circuito ha tropezado.	Reponga cachón o reemplace fusible en la fuente del poder.
	Sobrecarga motriz.	Permita el motor para refrescar. El motor volverá a encender automáticamente cuando refresca.
El motor de la Bomba del sumidero empieza y para con frecuencia durante operación.	El motor es defectuoso.	Reemplace el motor.
	Esto es un ocurrence común.	Permita los hoyos para llenar.
	Impeller de Bomba de sumidero se atasca.	Desconecte el poder y desatasque impeller.
	Sobrecarga motriz.	Permita el motor para refrescar. El motor volverá a encender automáticamente cuando refresca.
	El Hoyo del sumidero no es suficiente grande.	Ensanche el tamaño del hoyo.
La Bomba del sumidero corre, pero hay pequeño o ninguna descarga de agua.	El nivel del agua está debajo de cala de bomba.	Asegure la Flota azul no es agarrado en la instalación de cañerías.
	Hay una cerradura aérea en la Bomba de Sumidero.	Llene manualmente el tubo de entrada con agua. Prenda la Bomba de Sumidero y de varias veces.
	Voltaje bajo.	Asegure que el tamaño de alambre sea capaz de manejar el amperaje valorado de la unidad. Si el tamaño de alambre es correcto, contacta su distribuidor.
	Impeller de Bomba de sumidero se atasca.	Desconecte el poder y desatasque impeller.
	Partes de bomba son llevadas.	Contacte su distribuidor.
La Bomba del sumidero no apagará.	El interruptor defectuoso dentro de Flota azul.	Reemplace.
	La bomba es cerrada de aérea.	La bomba del ciclo en un incrementos de minuto de vaciar varias veces aire de la bomba. Si sistema incluye una válvula de cheque, un hoyo de 3/16" se debe taladrar en el tubo de la descarga aproximadamente 2" encima de las conexiones de la descarga.



## LOCALIZACION DE FALLAS

SINTOMA	CAUSA PROBABLE	REMEDIO
<b>TANQUE DE BIO-SISTEMA</b>		
Agua no desembocará en el Tanque de Bio-Sistema.	La Bomba del sumidero no se prende.	Mueva interruptor de Bomba de Sumidero a "ON".
	El cortacircuitos ha tropezado o está en la posición de "OFF".	Reponga o ponga cachón en la posición "ON".
	La tierra se aloja en la válvula de cheque de entrada.	Limpie.
	Impeller de Bomba de sumidero se atasca.	Desconecte el poder y limpie.
	Las líneas o las válvulas contienen agua congelada.	Permita tiempo de deshelar. Inyecte con agua tibia si necesario.
	Falla de Solenoide de Agua Fresco y Preparado.	Repare o reemplaza.
	Flotador #4 de Preparado de Agua Fresco en Tanque de Producto es enredado o falla.	Repare o reemplaza.
<b>BOMBA DE TRANSFERIA</b>		
La Bomba de la transferencia no funcionará.	La sobrecarga del circuito/cachón ha tropezado.	Reponga cachón o reemplace el fusible.
	Sobrecarga del motor.	Permita tiempo para refrescar del motor. El motor volverá a encender automáticamente cuando es fresco.
	La flota #3 de la Bomba de la Transferencia se enreda o fallando.	Repare o reemplaza.
	Falla del Interruptor de la Presión.	Reemplace.
La Bomba de la Transferencia opera pero no hay la descarga de agua O ciclos excesivamente de Bomba de Transferencia.	La bomba chupa aire.	Elimine escapes y apriete todas conexiones en la línea de toma (entrada).
	Revise si la válvula se sale o atascado en la posición de cierre.	Limpie o reemplace como sea necesario.
	Las líneas o las válvulas contienen agua congelada.	Permita tiempo de deshelar. Inyecte con agua tibia si necesario. Asegure que el Hoyo de Sumidero se quede encima de congelar.
	Impeller de bomba se obstruye.	Contacte su distribuidor local.
	El motor de la bomba opera debajo de RPM máxima.	Contacte su distribuidor local.
	Hay demasiado presión en el Tanque de la Presión.	Verifique el PSI en el Tanque de la Presión con ninguna agua en el tanque. La presión debe ser 25 PSI/1,72 Barra.
	Interruptor de Presión necesita un ajuste.	El Interruptor de la presión se debe poner a empezar la Bomba de la Transferencia en 30 Barra PSI/2,07.
La Bomba de Transferencia tiene calor o apague.	Voltaje bajo.	Asegure que el tamaño de alambre sea capaz de manejar el amperaje valorado de la unidad. Si el tamaño de alambre es correcto, contacta su distribuidor local.
	La sobrecarga del motor.	Permita el motor para refrescar. El motor volverá a encender automáticamente cuando refresca.

## LOCALIZACION DE FALLAS

SINTOMA	CAUSA PROBABLE	REMEDIO
<b>CIERRE DE EJE</b>		
El agua se sale en la Bomba de la Transferencia.	Cierre mecánico dañado.	Cierre es seco. Asegure que la cámara de cierre sea llenado de líquido.
Vida corta de Cierre.	Temperatura inesperada y uso químico.	Reemplace.

## OLOR

El olor excesivo en sistema de agua.	No hay bastante microbios en el sistema para mantener el equilibrio de agua.	Aumente la inoculación de microbio.
	Demasiado agua de derrochador para microbios para digerir.	El uso de inyección o uso químicos de un Bio-Sistema adicional puede ser necesario.
	*** Agua se queda inactivo demasiado largo en el sistema causando el aumento de bacterias.	El Sistema de Biológico y el Sistema de Aireador debe estar en 24 horas por día.

## FLUJO DEL AGUA

El aire dispara de la Salida de Agua.	Esto es un occurence común mientras bomba prepara.	El aire parará disparando de la salida de agua cuando bomba se prepara.
	La Bomba de la transferencia chupa aire en cala de succión.	Elimine escapes o apriete la conexión.

## SOLENOIDES

La válvula de solenoide no prenderá.	Bajo o ninguna presión del agua.	Apague agua, solenoides de interruptor entre válvulas. Prenda agua. Si el problema se corrige, reemplace solenoide defectuoso.
	Ningún contacto eléctrico al solenoide.	Contacte su distribuidor local.
La válvula de solenoide se sale cuando apagó.	Solenoide se obstruye.	Apague agua, quite y limpie solenoide.
	Solenoide dañado.	Reemplace.
	El O-anillo de solenoide se desalinea o es dañado.	Realinee o reemplace.
	El asiento del diafragma está sucio.	Limpie o reemplace.
	El diafragma se daña.	Reemplace.

## PIEZAS DE REEMPLAZO

<u>DESCRIPCION</u>	<u>PIDA DE NUEVO #</u>
Microbios-Hardrocarbon/VOC mix.....	RC-2001-0001
Microbios-Campo de Golf.....	RC-2002-0001
Microbios-Grasas, Aceite y Grasa .....	RC-2003-0001
Pelas de Prueba.....	33-0314
Viton/Silicon Carbide Mechanical Seal .....	26-0395
Microbes: Petróleo treat conc. (5 gal).....	RC-2008-0005
Microbes: Hydrocarbon conc. (5 gal).....	RC-2009-0005
Microbes: Pond conc. (5 gal).....	RC-2010-0005
Microbes: Enzyme/Microbe con. (5 gal) .....	RC-2011-0005
Microbes: Petróleo treat 2lb solid .....	RC-2012-0002
Microbes: Basura treat 2lb solid .....	RC-2013-0002
Microbes: Hydrocarbon 2lb solid .....	RC-2014-0002
Microbes: Petróleo treat tab .....	RC-2015-0001
Microbes: Basura treat tab .....	RC-2016-0001
Microbes: Hydrocarbon tab .....	RC-2017-0001
Microbes: Petróleo treat con. (1 qt.) .....	RC-2018-0001
Microbes: Hydrocarbon con. (1 qt.) .....	RC-2019-0001
Microbes: Pond conc. (1qt.).....	RC-2020-0001



## DECLARACION DE GARANTIA

El fabricante Corporation garantiza que todas las piezas (excepto aquellas a las que se hace referencia abajo), de su nueva lavadora a presión libres de defectos en materiales y mano de obra durante los periodos siguientes:

Por un (1) año a partir de la fecha original de compra.

Las piezas defectuosas que no están sujetas a deterioro causado por el uso serán reparadas o reemplazadas a nuestra opción durante el periodo de garantía. En todo caso, el reembolso está limitado al precio de compra pagado.

### EXCLUSIONES

1. El motor está cubierto bajo una garantía separada proporcionada por el fabricante respectivo y está sujeta a los términos en sus establecidos.
2. Partes de desgaste normal:
  - Cierres      Filtros      Junatas
  - O-anillos   Paquetes   Embolos
  - Los cepillos Microbios   Sensores
  - Asamblea de válvula
3. Las partes dañaron debido a:
  - el uso normal, la mala aplicación, las modificaciones, el abuso,
  - la operación en de otra manera que las velocidades recomendadas, las presiones o la temperatura,
  - el uso de líquidos cáusticos
  - la corrosión de cloruro o empeoramiento químico
  - fluctuaciones en suministro eléctrico o el agua,
  - Operando la unidad en el ambiente abrasivo, corrosivo o helado.
4. Las piezas dañadas por el fracaso para seguir recomendado:
  - Los procedimientos de la instalación, de la operación, y del mantenimiento.
5. Esta garantía no cubre el costo de:
  - Mantenimiento o los ajustes normales,
  - los cambios del trabajo
  - costos del transporte al Centro de Service,
  - el daño de flete.
6. El uso de piezas de repuesto diferentes a las genuinas el fabricante cancelará la garantía. Las piezas devueltas, con franqueo pagado a un Centro de Servicio Autorizado, serán inspeccionadas y reemplazadas, libre de cargos, si se determina que están defectuosas y sujetas a la garantía. No existen garantías que se extiendan más allá de la descripción contenida aquí. Bajo ninguna circunstancia el fabricante Corporation será responsable por la pérdida de uso de la unidad, pérdida de tiempo, inconvenientes, pérdida comercial o daños consecuentes.



